

0CNP6-M06180EN

Corresponding table of the machine and engine

Machine	Engine
Model	Model
AW70V,SX-ID	4TNV98-XNRCGCC
AW82V,SX-ID	4TNV98T-PRCGCC

Contents

OCNP6-M06180

Fig. No. Fig. Name

ENGINE RELATED

1. ENGINE RELATED
2. ENGINE PULLEY
3. ENGINE PULLEY
4. ENGINE MOUNT
5. ENGINE CONTROL
6. FUEL TANK
7. AIR CLEANER
8. AIR CLEANER
9. MUFFLER
10. MUFFLER
11. RADIATOR
12. RADIATOR

REAPING(1)

13. DRIVE SHAFT(PLATFORM)
14. CENTER SHAFT
15. REEL DISC
16. TINE BAR
17. REEL SLIDE
18. LIFTING ARM
19. REEL COUNTER
20. REEL DRIVE
21. REAP FRAME
22. REAP EDGE

Fig. No. Fig. Name

23. REAP EDGE DRIVE
24. REAP EDGE DRIVE CASE
25. DIVIDER
26. REEL COVER
27. SIDE COVER(PLATFORM)(RIGHT)

REAPING(2)

28. RAKE-IN DRIVE
29. AUGER(PLATFORM)
30. ADJUST
31. CROP GUIDE
32. FEEDER HOUSE DRIVE(1ST)
33. FEEDER HOUSE DRIVE(2ND)
34. CHAIN COVER(FEEDER HOUSE)
35. FEEDER HOUSE DRUM
36. CONVEYOR CHAIN
37. SHEET METAL(FEEDER HOUSE)
38. FEEDER HOUSE
39. FITTING(FEEDER HOUSE)(1)
40. FITTING(FEEDER HOUSE)(2)
41. PIPING(REEL)

THRESHING(1)

42. THRESH FRAME MOUNT
43. THRESH FRAME

Contents

OCNP6-M06180

Fig. No. Fig. Name

- 44. CLEANING COVER
- 45. PLATE(INLET)
- 46. PLATE(FEED)
- 47. FRAME(REAR)
- 48. ROTOR COVER
- 49. FRAME(CONNECT)
- 50. SIDE COVER BRACKET
- 51. SIDE COVER
- 52. COVER(BASE)
- 53. FRONT COVER
- 54. REAR COVER
- 55. DRIVE CASE
- 56. INPUT SHAFT
- 57. BELT(1ST & 2ND)
- 58. SWING BELT
- 59. ROTOR DRIVE BELT
- 60. ROTOR DRIVE BELT
- 61. COUNTER BELT
- 62. FRONT ROTOR BELT
- 63. FRONT ROTOR BELT
- 64. REAP DRIVE CHAIN
- 65. REAP DRIVE CHAIN
- 66. THRESH ROTOR
- 67. FRONT ROTOR
- 68. CONCAVE

Fig. No. Fig. Name

- 69. BODY(UPPER)(INNER)
- 70. OPEN FRAME

THRESHING(2)

- 71. SWING SHAFT
- 72. SWING ARM(REAR)
- 73. SWING ARM(FRONT)
- 74. SWING FRAME(1)
- 75. SWING FRAME(2)
- 76. SWING FRAME(3)
- 77. WINNOWER SHUTTER
- 78. WINNOWER FAN
- 79. COVER(BODY)
- 80. CONVEYOR(1ST)
- 81. GRAIN ELEVATE AUGER CASE
- 82. GRAIN ELEVATE AUGER
- 83. BOTTOM PLATE
- 84. CONVEYOR(2ND)
- 85. VERTICAL CONVEYOR CASE(2ND)
- 86. VERTICAL CONVEYOR(2ND)

TRAVELING(1)

- 87. TRAVEL DRIVE BELT
- 88. TRAVEL DRIVE BELT
- 89. THRESH DRIVE BELT

Contents

OCNP6-M06180

Fig. No. Fig. Name

- 90. THRESH DRIVE BELT
- 91. TRANSMISSION CASE
- 92. PARKING BRAKE
- 93. SIDE BRAKE
- 94. SHIFT SHAFT
- 95. BRAKE SHAFT
- 96. SIDE CLUTCH SHAFT
- 97. REDUCTION SHAFT
- 98. AXLE SHAFT
- 99. SUB SHIFT
- 100. SIDE CLUTCH
- 101. H.S.T.
- 102. H.S.T.
- 103. TRUNNION ARM
- 104. H.S.T. MOUNT
- 105. INPUT CASE
- 106. MAIN SHAFT

TRAVELING(2)

- 107. FRONT COLUMN
- 108. FRONT COLUMN
- 109. FRAME(SIDE COLUMN)
- 110. SIDE COLUMN(1)
- 111. SIDE COLUMN(2)
- 112. BRAKE CONTROL

Fig. No. Fig. Name

- 113. CLUTCH CONTROL(SIDE)
- 114. MAIN SHIFT CONTROL
- 115. SUB SHIFT CONTROL
- 116. CLUTCH CONTROL(REAP)
- 117. CLUTCH CONTROL(THRESH)
- 118. HYDRAULIC TANK
- 119. PIPING(VALVE)
- 120. PIPING(H.S.T.)
- 121. CONTROL VALVE
- 122. TRAVEL ACTUATOR
- 123. HYDRAULIC CYLINDER
- 124. STEP FRAME
- 125. SEAT
- 126. SEAT MOUNT
- 127. SUNVISOR

TRAVELING(3)

- 128. CHASSIS FRAME
- 129. WEIGHT
- 130. TRANSMISSION MOUNT
- 131. IDLER
- 132. TRACK ROLLER
- 133. TRACK ROLLER
- 134. CRAWLER GUIDE
- 135. SPROCKET

Contents

OCNP6-M06180

Fig. No. Fig. Name

- 136. CARRIER ROLLER
- 137. CRAWLER
- 138. BASE(AUXILIARY PADDY CATCH)
- 139. PADDY BAG(HOOK)
- 140. PADDY BAG(GUARD)
- 141. PLATE(BACK)
- 142. ENGINE ROOM FRAME
- 143. ENGINE COVER(1)
- 144. ENGINE COVER(2)
- 145. MIRROR

ELECTRICAL PARTS

- 146. BATTERY
- 147. WIRE HARNESS
- 148. CONTROLLER(SA-R)
- 149. ANTENNA(SA-R)

PADDY TANK, LABEL & ACCESSORY

- 150. TOP SACKER TANK
- 151. SHUTTER
- 152. TOP SACKER MOUNT
- 153. LABEL(1)
- 154. LABEL(2)
- 155. LABEL(SAFETY)(1)
- 156. LABEL(SAFETY)(2)

Fig. No. Fig. Name

- 157. TOOL
- 158. ACCESSORY
- 159. ACCESSORY

Fig.1. ENGINE RELATED

(A)=AW70V,SX-ID
 (B)=AW82V,SX-ID
 (C)=

(D)=
 (E)=
 (F)=

No.	Lev.	Parts No.	Description	Q'ty						I	R
				(A)	(B)	(C)	(D)	(E)	(F)		
1	1	1E6B30-00150	PIPE ASSY, DRAIN LO	1	1						
2	1	1E8550-00160	PLUG 12	1	1						
3	1	1E8540-84101	HARNESS,STARTER	1	1						
4	1	1E8559-84960	CABLE BAND 250	1	1						
5	1	1E8559-84970	BAND 140	1	1						
6	1	22157-080000	WASHER, 8	2	2						
7	1	22190-120002	WASHER, SEAL 12	1	1						
8	1	22217-080000	WASHER, SPRING 8	2	2						
9	1	23000-022000	CLAMP, 22	1	1						
10	1	26717-080002	NUT, M8	2	2						

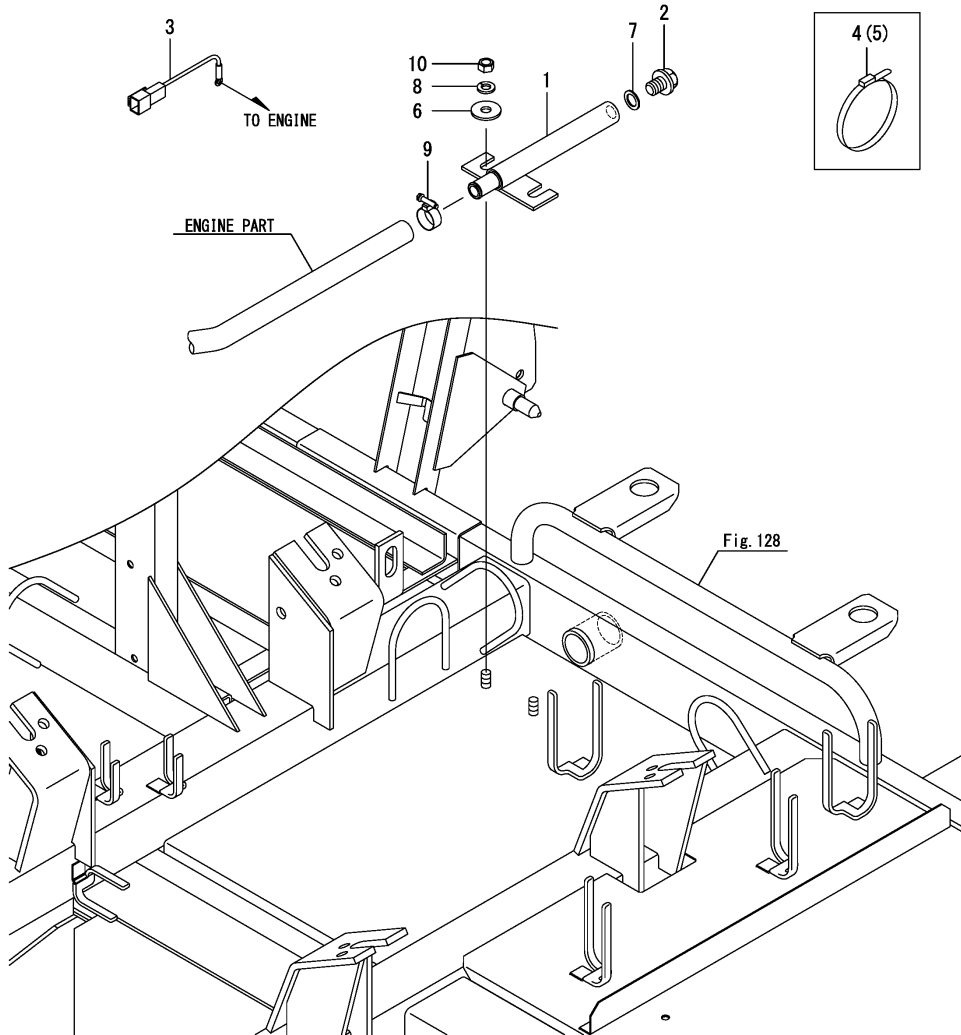


Fig.2. ENGINE PULLEY

(A)=AW70V,SX-ID
 (B)=AW82V,SX-ID
 (C)=

(D)=
 (E)=
 (F)=

No.	Lev.	Parts No.	Description	Q'ty						I	R
				(A)	(B)	(C)	(D)	(E)	(F)		
1	1	1E6C43-00150	PULLEY,ENG 154.5	1							
2	1	26013-120302	BOLT, M12X 30	4							

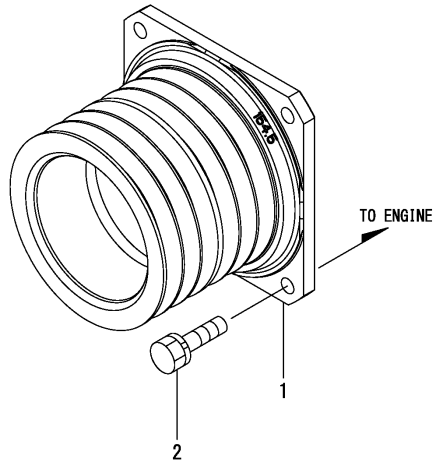


Fig.3. ENGINE PULLEY

(A)=AW70V,SX-ID
 (B)=AW82V,SX-ID
 (C)=

(D)=
 (E)=
 (F)=

No.	Lev.	Parts No.	Description	Q'ty						I	R
				(A)	(B)	(C)	(D)	(E)	(F)		
1	1	1E6C48-00100	PULLEY,ENG 161-162		1						
2	1	26013-120302	BOLT, M12X 30		4						

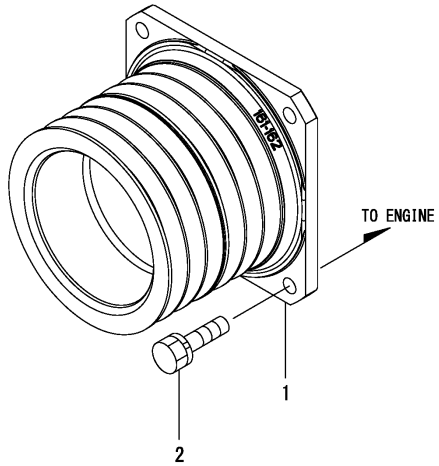


Fig.4. ENGINE MOUNT

(A)=AW70V,SX-ID
 (B)=AW82V,SX-ID
 (C)=

(D)=
 (E)=
 (F)=

No.	Lev.	Parts No.	Description	Qty						I	R
				(A)	(B)	(C)	(D)	(E)	(F)		
1	1	1E9063-01110	MOUNT,ENGINE FRONT R	1	1						
2	1	1E9060-01150	MOUNT,ENGINE REAR R	1	1						
3	1	1E6C40-01171	MOUNT,ENGINE FRONT L	1	1						
4	1	1E6B30-01200	MOUNT, ENGINE REAR L	1	1						
5	1	1E6C40-01200	STOPPER	1	1						
6	1	1E8380-01200	RUBBER, CUSHION 600	4	4						
7	1	1E8559-01220	WASHER 12*26*3.2	4	4						
8	1	22217-120000	WASHER, SPRING 12	8	8						
9	1	26013-100202	BOLT, M10X 20	12	12						
10	1	26013-100302	BOLT, M10X 30	2	2						
11	1	26014-100202	BOLT, M10X 20	1	1						
12	1	26717-120002	NUT, M12	8	8						

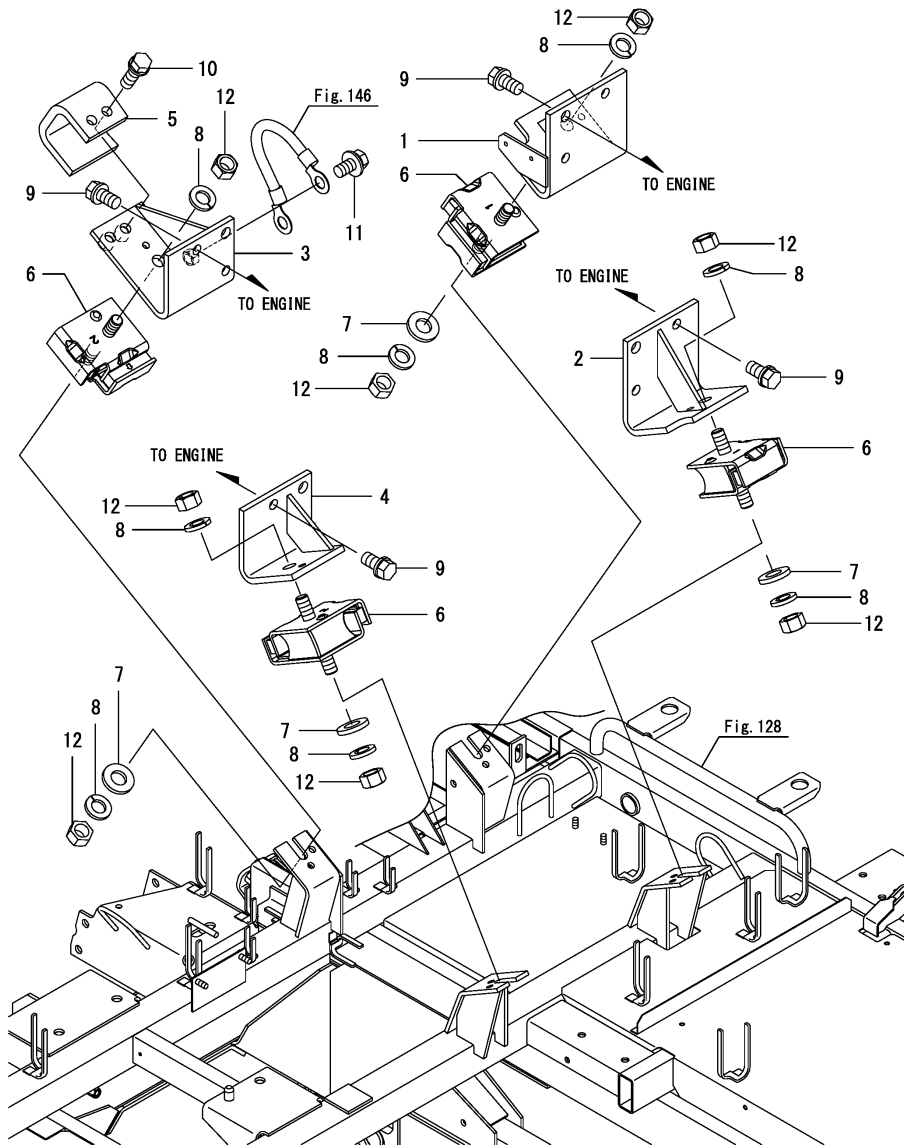
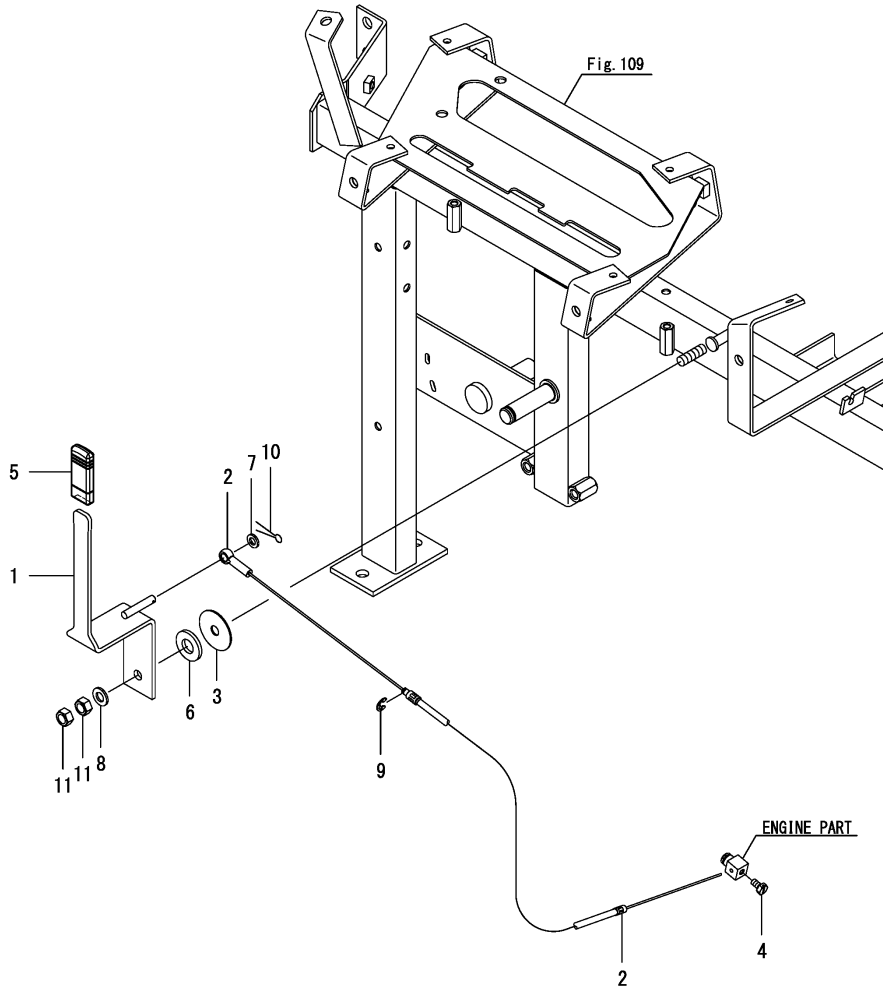


Fig.5. ENGINE CONTROL

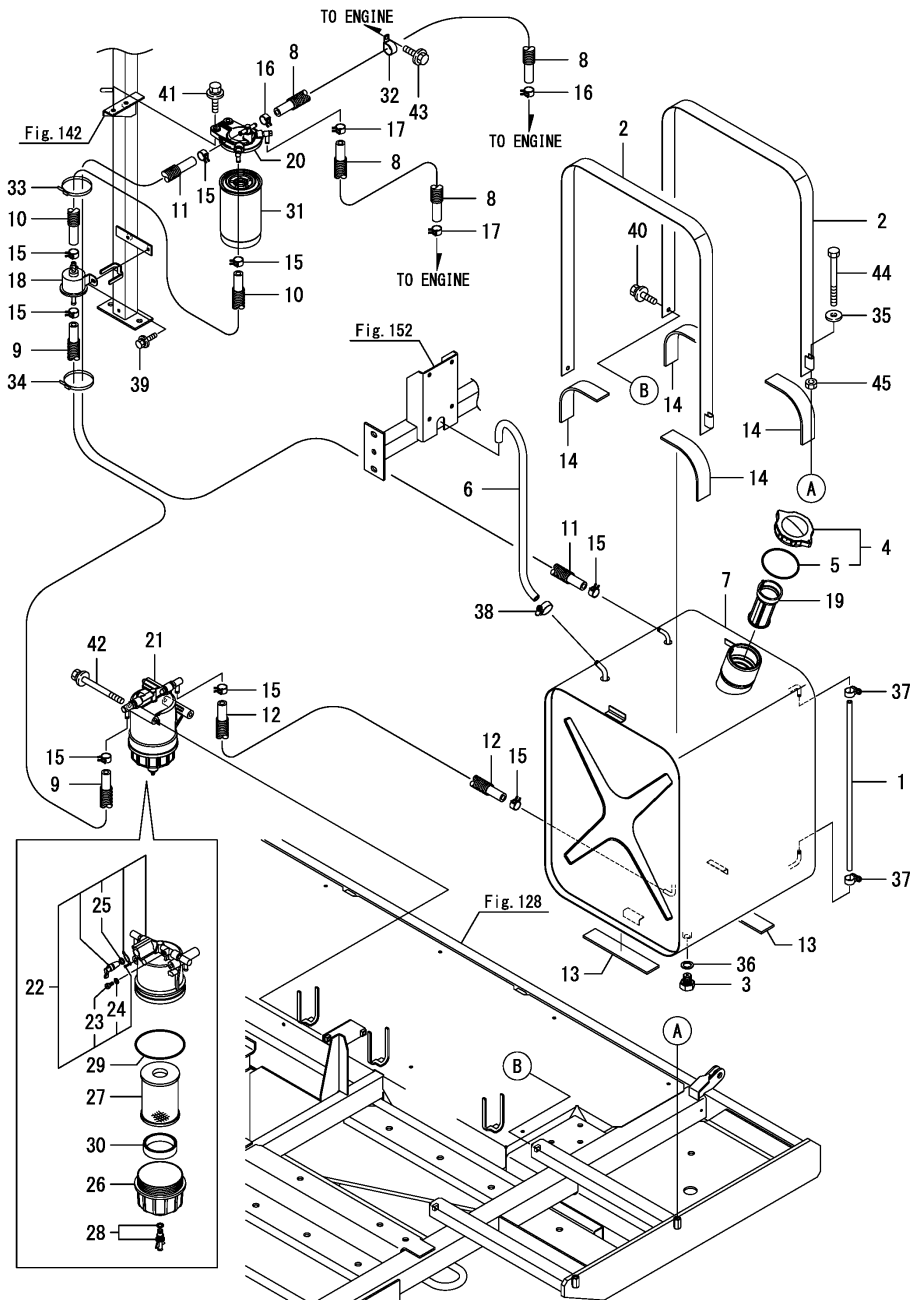
(A)=AW70V,SX-ID
 (B)=AW82V,SX-ID
 (C)=

(D)=
 (E)=
 (F)=



No.	Lev.	Parts No.	Description	Q'ty						I	R
				(A)	(B)	(C)	(D)	(E)	(F)		
1	1	1E6C40-02000	LEVER ASSY,ACCELE	1	1						
2	1	1E6B30-02050	WIRE,ACCELERATOR	1	1						
3	1	1E8559-02200	SPRING T1.2	1	1						
4	1	1E8559-02400	BOLT 4*8	1	1						
5	1	1C726C-35910	GRIP, 50X20	1	1						
6	1	1C6141-43971	PLATE, 12	1	1						
7	1	22117-060000	WASHER, 6	1	1						
8	1	22117-080000	WASHER, 8	1	1						
9	1	22272-000040	RING, E- 4	1	1						
10	1	22417-160160	PIN, COTTER 1.6X16	1	1						
11	1	26717-080002	NUT, M8	2	2						

Fig.6. FUEL TANK

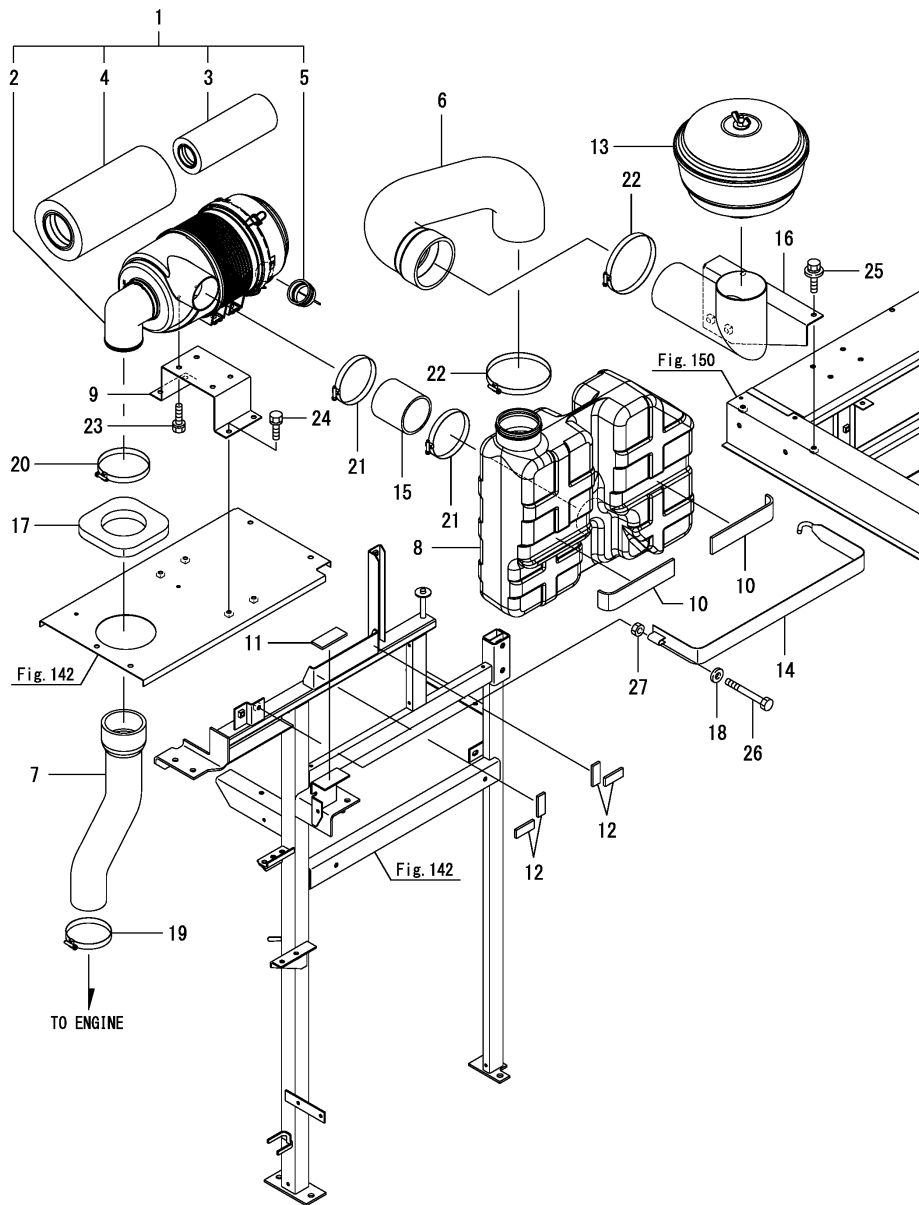


(A)=AW70V,SX-ID
(B)=AW82V,SX-ID
(C)=

(D)=
(E)=
(F)=

No.	Lev.	Parts No.	Description	Qty						I	R
				(A)	(B)	(C)	(D)	(E)	(F)		
1	1	1E6B30-03060	PIPE, FO LEVEL	1	1						
2	1	1E6B30-03080	BAND, FUEL TANK	2	2						
3	1	1E8559-03080	PLUG,DRAIN OIL	1	1						
4	1	1E6B30-03180	CAP, FUEL TANK	1	1						
5	2	1E6B30-03131	O-RING	1	1						
6	1	1E6B30-03340	PIPE	1	1						
7	1	1E6C40-03403	TANK, FUEL	1	1						
8	1	1E6C40-03500	PIPE ASSY, FO L=700	2	2						
9	1	1E6B30-03531	PIPE ASSY, FO L=1340	1	1						
10	1	1E6B30-03560	PIPE ASSY, FO L=370	1	1						
11	1	1E6C40-03590	PIPE ASSY, FO L=2700	1	1						
12	1	1E6C40-03660	PIPE ASSY, FO L=960	1	1						
13	1	1E6C40-04280	SHEET,CUSHION C	2	2						
14	1	1E6C40-04280	SHEET,CUSHION C	4	4						
15	1	106990-44660	CLAMP, HOSE 12.5	8	8						
16	1	106990-44660	CLAMP, HOSE 12.5	2	2						
17	1	106990-44660	CLAMP, HOSE 12.5	2	2						
18	1	119225-52102	PUMP, FUEL FEED	1	1						
19	1	101504-55101	STRAINER, FUEL	1	1						
20	1	119934-55611	BRACKET, FILTER	1	1						
21	1	129E22-55700	FILTER ASSY, FUEL	1	1						
22	2	129E00-55710	BODY ASSY	1	1						
23	3	129A00-55751	PLUG, AIR VENT	1	1						
24	3	129A00-55760	O-RING	1	1						
25	3	24311-000110	O-RING, 1AP11.0	1	1						
26	2	129A00-55720	CUP(CLEAR	1	1						
27	2	129A00-55730	ELEMENT	1	1						
28	2	129242-55740	PLUG, DRAIN	1	1						
29	2	129A00-55740	O-RING	1	1						
30	2	129A00-55770	FLOAT	1	1						
31	1	129907-55801	FILTER, FUEL	1	1						
32	1	1E8559-83090	CLIP COT-35	1	1						
33	1	1E8559-84970	BAND 140	1	1						
34	1	1E8559-84970	BAND 140	1	1						
35	1	22157-080000	WASHER, 8	2	2						
36	1	22190-120002	WASHER, SEAL 12	1	1						
37	1	23000-013000	CLAMP, 13	2	2						
38	1	23000-019000	CLAMP, 19	1	1						
39	1	26014-060162	BOLT, M6X 16	2	2						
40	1	26014-080202	BOLT, M8X 20	2	2						
41	1	26014-080302	BOLT, M8X 30	2	2						
42	1	26014-081002	BOLT, M8X100	2	2						
43	1	26106-080162	BOLT, M8X 16 PLATED	1	1						
44	1	26116-080904	BOLT, M8X 90 PLATED	2	2						
45	1	26717-080002	NUT, M8	2	2						

Fig.7. AIR CLEANER

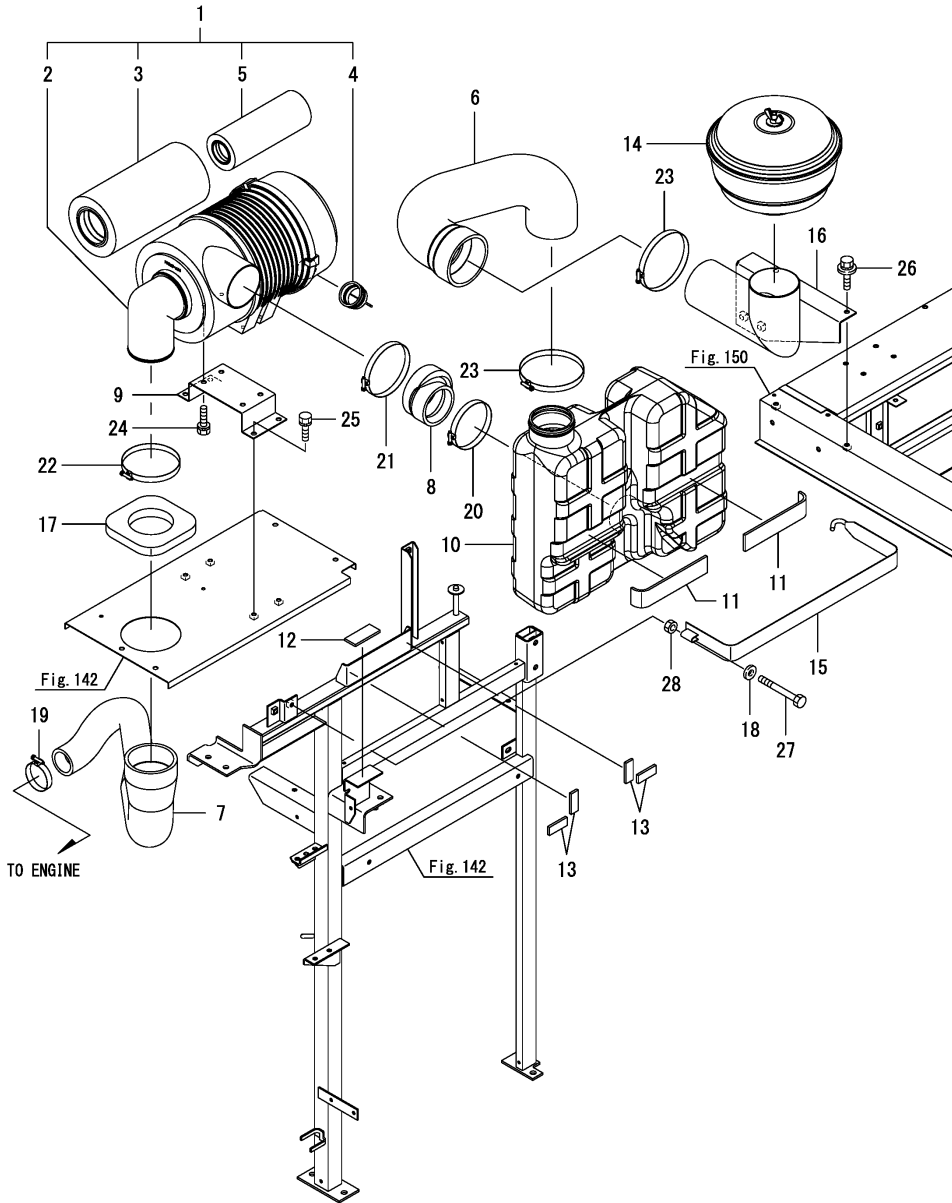


(A)=AW70V,SX-ID
(B)=AW82V,SX-ID
(C)=

(D)=
(E)=
(F)=

No.	Lev.	Parts No.	Description	Q'ty						I	R
				(A)	(B)	(C)	(D)	(E)	(F)		
1	1	1E6C45-04002	AIR CLEANER ASSY,7.5	1							
2	2	1E6B30-04010	BODY, AIR CLEAN. 7.5	1							
3	2	1E6C45-04010	ELEMENT, INNER 7.5	1							
4	2	1E6B30-04020	ELEMENT, AIRCLE. 7.5	1							
5	2	1E6B30-04030	VALVE, VACUUM 7.5	1							
6	1	1E6C40-04170	HOSE,AIR INTAKE TS	1							
7	1	1E6C45-04190	HOSE,AIR INT.LO. 7.5	1							
8	1	1E6B30-04260	SILENCER, INTAKE	1							
9	1	1E6C45-04270	STAY, AIR CLEAN. 7.5	1							
10	1	1E6C40-04280	SHEET,CUSHION C	2							
11	1	1E6B30-04360	SHEET,CUSHION D	1							
12	1	1E6B30-04381	SHEET,CUSHION F	4							
13	1	1E6C45-04400	CLEANER ASSY, PRE	1							
14	1	1E6B30-04730-1	BAND ASSY,SILENCER	1							
15	1	1E6C45-04790	HOSE,AIR INTAKE 70	1							
16	1	1E6B30-04960	BRACKET ASSY, IN. TS	1							
17	1	1E6B31-75460	SEAL,INTAKE	1							
18	1	22137-080000	WASHER, 8	1							
19	1	23000-090000	CLAMP, 90	1							
20	1	23000-102000	CLAMP, 102	1							
21	1	23000-102000	CLAMP, 102	2							
22	1	23000-127000	CLAMP, 127	2							
23	1	26013-080202	BOLT, M8X 20	4							
24	1	26013-080202	BOLT, M8X 20	4							
25	1	26014-080252	BOLT, M8X 25	2							
26	1	26116-080704	BOLT, M8X 70 PLATED	1							
27	1	26717-080002	NUT, M8	1							

Fig.8. AIR CLEANER



(A)=AW70V,SX-ID
 (B)=AW82V,SX-ID
 (C)=

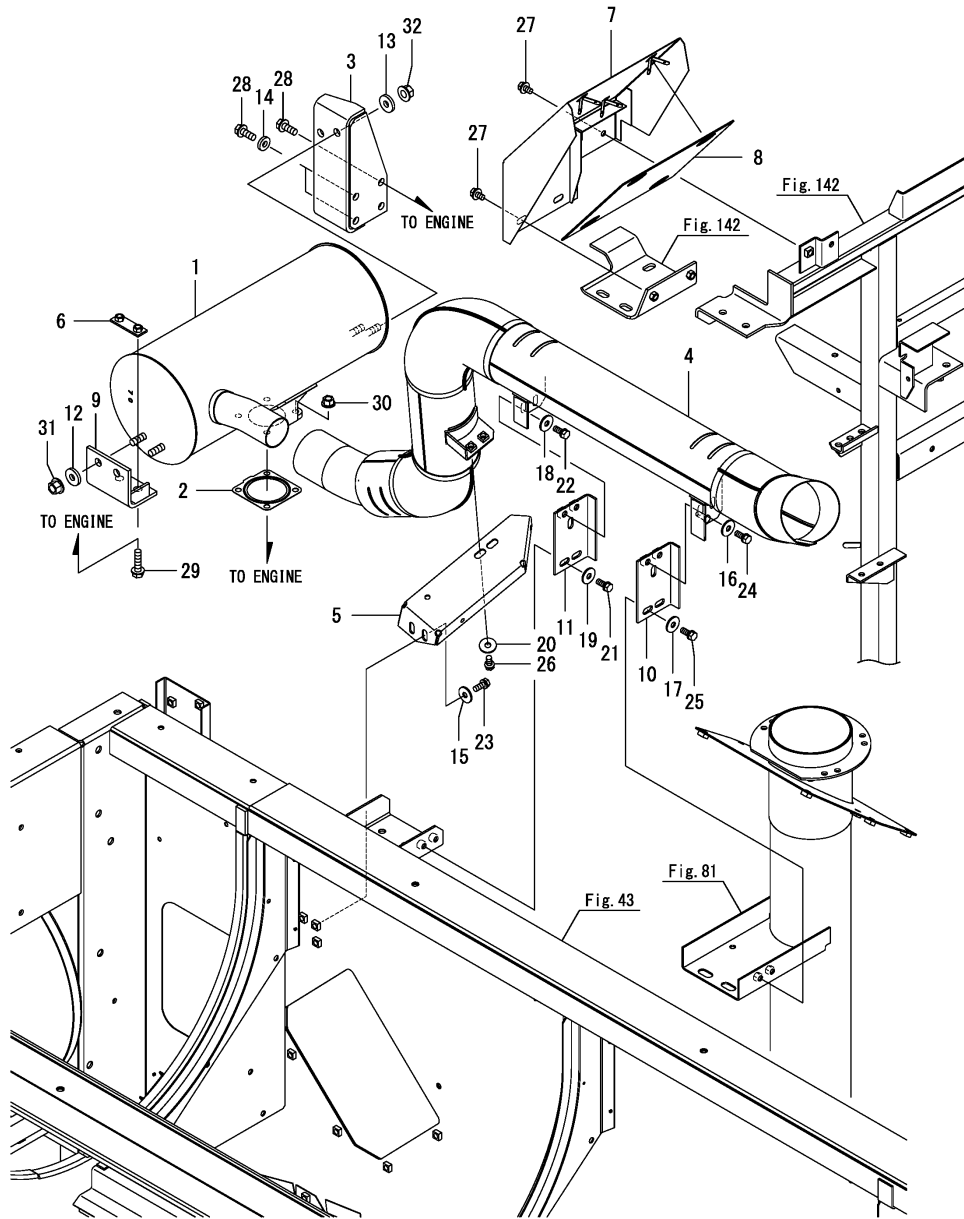
(D)=
 (E)=
 (F)=

No.	Lev.	Parts No.	Description	Q'ty						I	R
				(A)	(B)	(C)	(D)	(E)	(F)		
1	1	1E6C40-04001	AIR CLEANER ASSY,8.5		1						
2	2	1E6C40-04010	BODY, AIR CLEAN. 8.5		1						
3	2	1E6C40-04021	ELEMENT, AIRCLE. 8.5		1						
4	2	1E6C40-04030	VALVE, VACUUM 8.5		1						
5	2	1E6C40-04041	ELEMENT, INNER 8.5		1						
6	1	1E6C40-04170	HOSE,AIR INTAKE TS		1						
7	1	1E6C40-04181	HOSE,AIR INT.LO. 8.5		1						
8	1	1E6C40-04190	HOSE,AIR INTAKE		1						
9	1	1E6C40-04250-1	STAY, AIR CLEAN. 8.5		1						
10	1	1E6B30-04260	SILENCER, INTAKE		1						
11	1	1E6C40-04280	SHEET,CUSHION C		2						
12	1	1E6B30-04360	SHEET,CUSHION D		1						
13	1	1E6B30-04381	SHEET,CUSHION F		4						
14	1	1E6C45-04400	CLEANER ASSY, PRE		1						
15	1	1E6B30-04730-1	BAND ASSY,SILENCER		1						
16	1	1E6B30-04960	BRACKET ASSY, IN. TS		1						
17	1	1E6B31-75460	SEAL,INTAKE		1						
18	1	22137-080000	WASHER, 8		1						
19	1	23000-060000	CLAMP, 60		1						
20	1	23000-102000	CLAMP, 102		1						
21	1	23000-115000	CLAMP, 115		1						
22	1	23000-115000	CLAMP, 115		1						
23	1	23000-127000	CLAMP, 127		2						
24	1	26013-080202	BOLT, M8X 20		4						
25	1	26013-080202	BOLT, M8X 20		4						
26	1	26014-080252	BOLT, M8X 25		2						
27	1	26116-080704	BOLT, M8X 70 PLATED		1						
28	1	26717-080002	NUT, M8		1						

Fig.9. MUFFLER

(A)=AW70V,SX-ID
(B)=AW82V,SX-ID
(C)=

(D)=
(E)=
(F)=

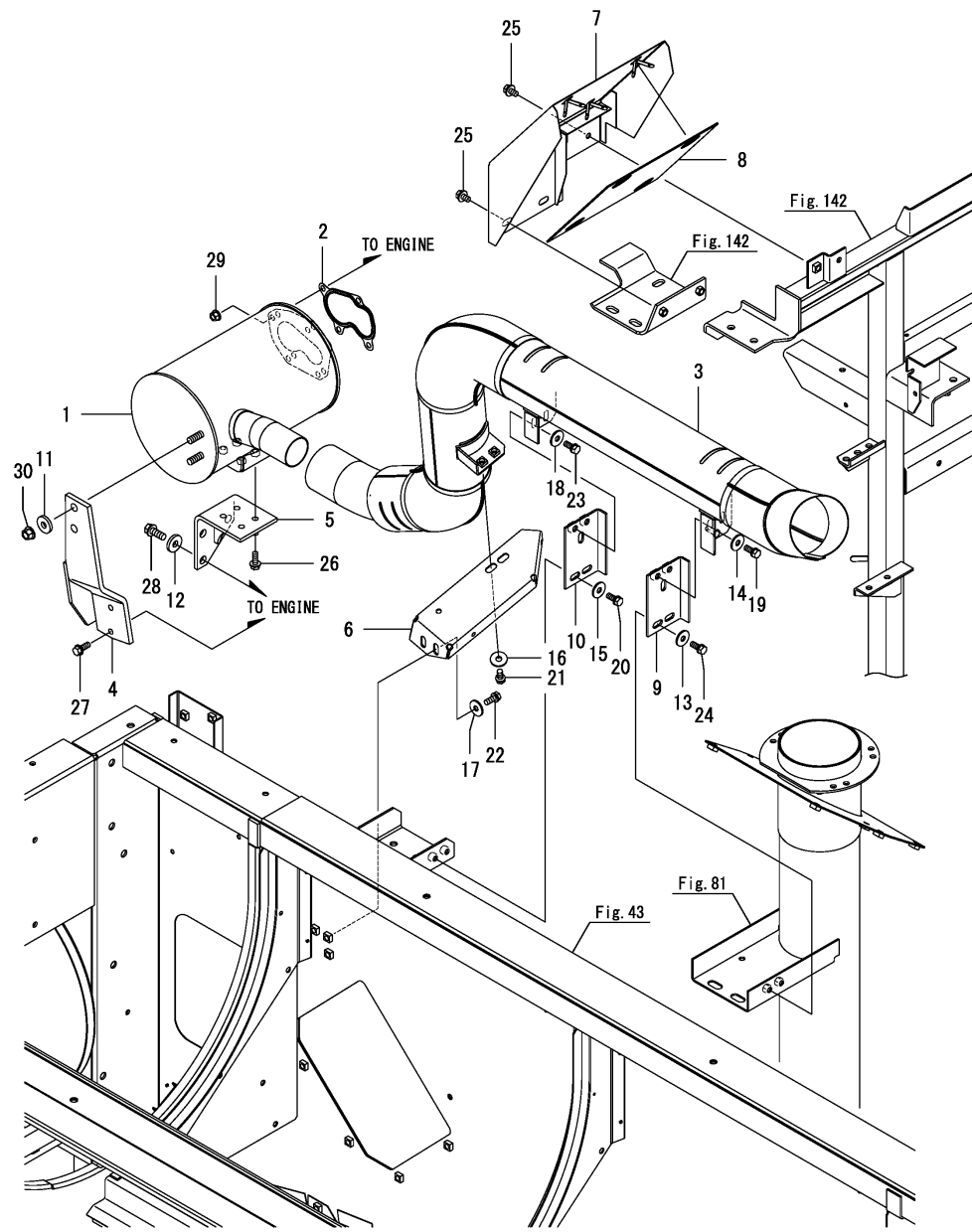


No.	Lev.	Parts No.	Description	Qty						I	R
				(A)	(B)	(C)	(D)	(E)	(F)		
1	1	1E6C45-04501	SILENCER ASSY, 98	1							
2	1	1E6B35-04530	GASKET, SILENCER	1							
3	1	1E6B35-04551	STAY,SILENCER	1							
4	1	1E6C80-04600	PIPE ASSY, TAIL	1							
5	1	1E6C80-04760	STAY, MUFFLER A	1							
6	1	1E6B35-04800	PLATE, 60X20X3	1							
7	1	1E6C80-04810	GUARD,EXHAUST PIPE	1							
8	1	1E6C40-04830	SHEET,EXHAUST PIPE	1							
9	1	1E6B35-04851	STAY, SILENCER L 98	1							
10	1	1E6C40-04890	STAY, MUFFLER B	1							
11	1	1E6C40-04890	STAY, MUFFLER B	1							
12	1	1E8559-29130	COLLAR, 10.5X28X4.5	2							
13	1	1E8559-29130	COLLAR, 10.5X28X4.5	2							
14	1	1E8559-35290	COLLAR 9.5*22*4.5	2							
15	1	22157-080000	WASHER, 8	2							
16	1	22157-080000	WASHER, 8	2							
17	1	22157-080000	WASHER, 8	2							
18	1	22157-080000	WASHER, 8	2							
19	1	22157-080000	WASHER, 8	2							
20	1	22157-080000	WASHER, 8	2							
21	1	26013-080202	BOLT, M8X 20	2							
22	1	26013-080202	BOLT, M8X 20	2							
23	1	26013-080202	BOLT, M8X 20	2							
24	1	26013-080202	BOLT, M8X 20	2							
25	1	26013-080202	BOLT, M8X 20	2							
26	1	26013-080202	BOLT, M8X 20	2							
27	1	26014-080162	BOLT, M8X 16	3							
28	1	26106-080202	BOLT, M8X 20 PLATED	4							
29	1	26106-080302	BOLT, M8X 30 PLATED	2							
30	1	26306-080002	NUT, M8	4							
31	1	26306-100002	NUT, M10	2							
32	1	26306-100002	NUT, M10	2							

Fig.10. MUFFLER

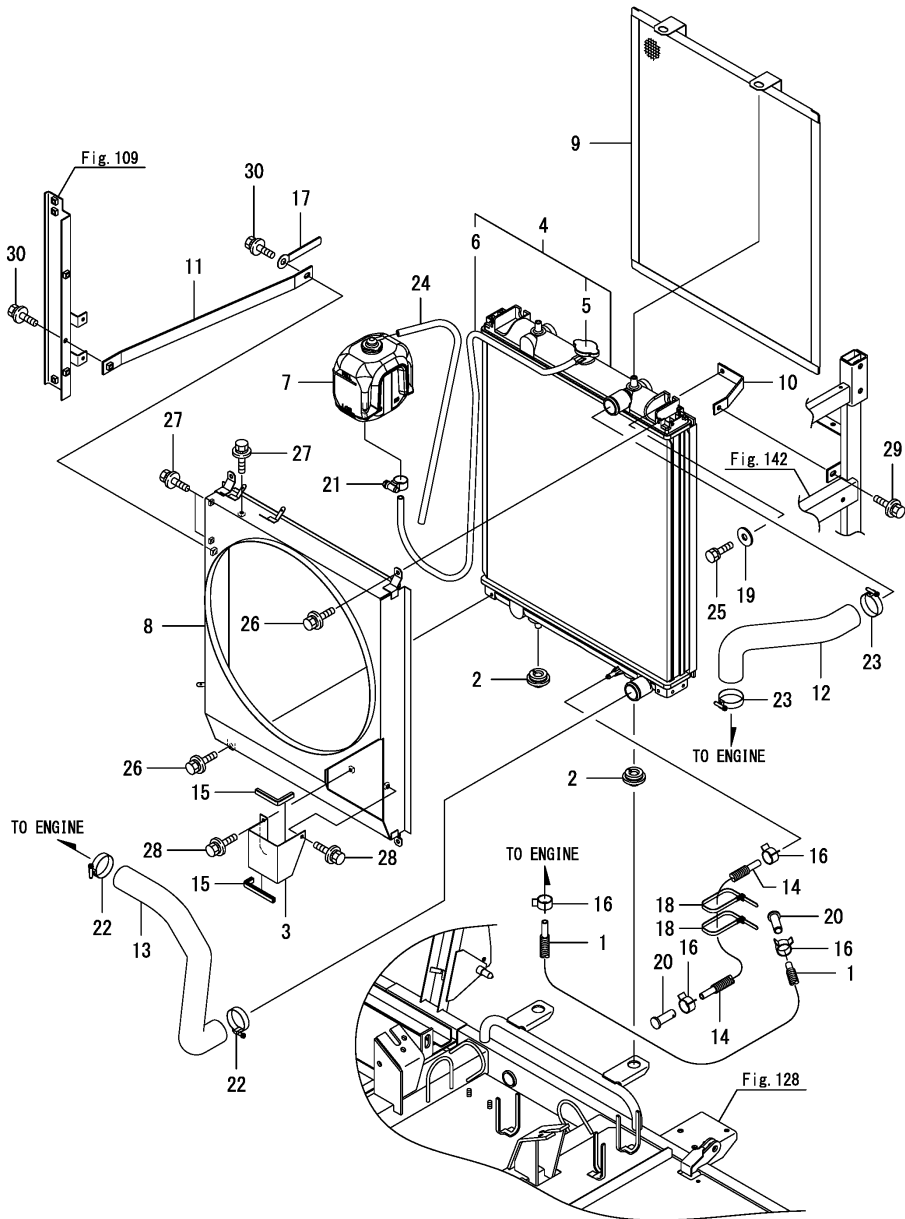
(A)=AW70V,SX-ID
(B)=AW82V,SX-ID
(C)=

(D)=
(E)=
(F)=



No.	Lev.	Parts No.	Description	Q'ty						I	R
				(A)	(B)	(C)	(D)	(E)	(F)		
1	1	1E6C40-04500	SILENCER ASSY, 98T		1						
2	1	1E6B30-04530	GASKET, T/C OUT		1						
3	1	1E6C80-04600	PIPE ASSY, TAIL		1						
4	1	1E6B30-04701	STAY, SILENCER 98T		1						
5	1	1E6B30-04751-1	STAY, SILENCER 98T F		1						
6	1	1E6C80-04760	STAY, MUFFLER A		1						
7	1	1E6C80-04810	GUARD, EXHAUST PIPE		1						
8	1	1E6C40-04830	SHEET, EXHAUST PIPE		1						
9	1	1E6C40-04890	STAY, MUFFLER B		1						
10	1	1E6C40-04890	STAY, MUFFLER B		1						
11	1	1E8559-29130	COLLAR, 10.5X28X4.5		2						
12	1	1E8559-29130	COLLAR, 10.5X28X4.5		3						
13	1	22157-080000	WASHER, 8		2						
14	1	22157-080000	WASHER, 8		2						
15	1	22157-080000	WASHER, 8		2						
16	1	22157-080000	WASHER, 8		2						
17	1	22157-080000	WASHER, 8		2						
18	1	22157-080000	WASHER, 8		2						
19	1	26013-080202	BOLT, M8X 20		2						
20	1	26013-080202	BOLT, M8X 20		2						
21	1	26013-080202	BOLT, M8X 20		2						
22	1	26013-080202	BOLT, M8X 20		2						
23	1	26013-080202	BOLT, M8X 20		2						
24	1	26013-080202	BOLT, M8X 20		2						
25	1	26014-080162	BOLT, M8X 16		3						
26	1	26106-080202	BOLT, M8X 20 PLATED		4						
27	1	26106-080202	BOLT, M8X 20 PLATED		2						
28	1	26106-100252	BOLT, M10X 25 PLATED		3						
29	1	26306-080002	NUT, M8		4						
30	1	26306-100002	NUT, M10		2						

Fig.11. RADIATOR



(A)=AW70V,SX-ID
 (B)=AW82V,SX-ID
 (C)=

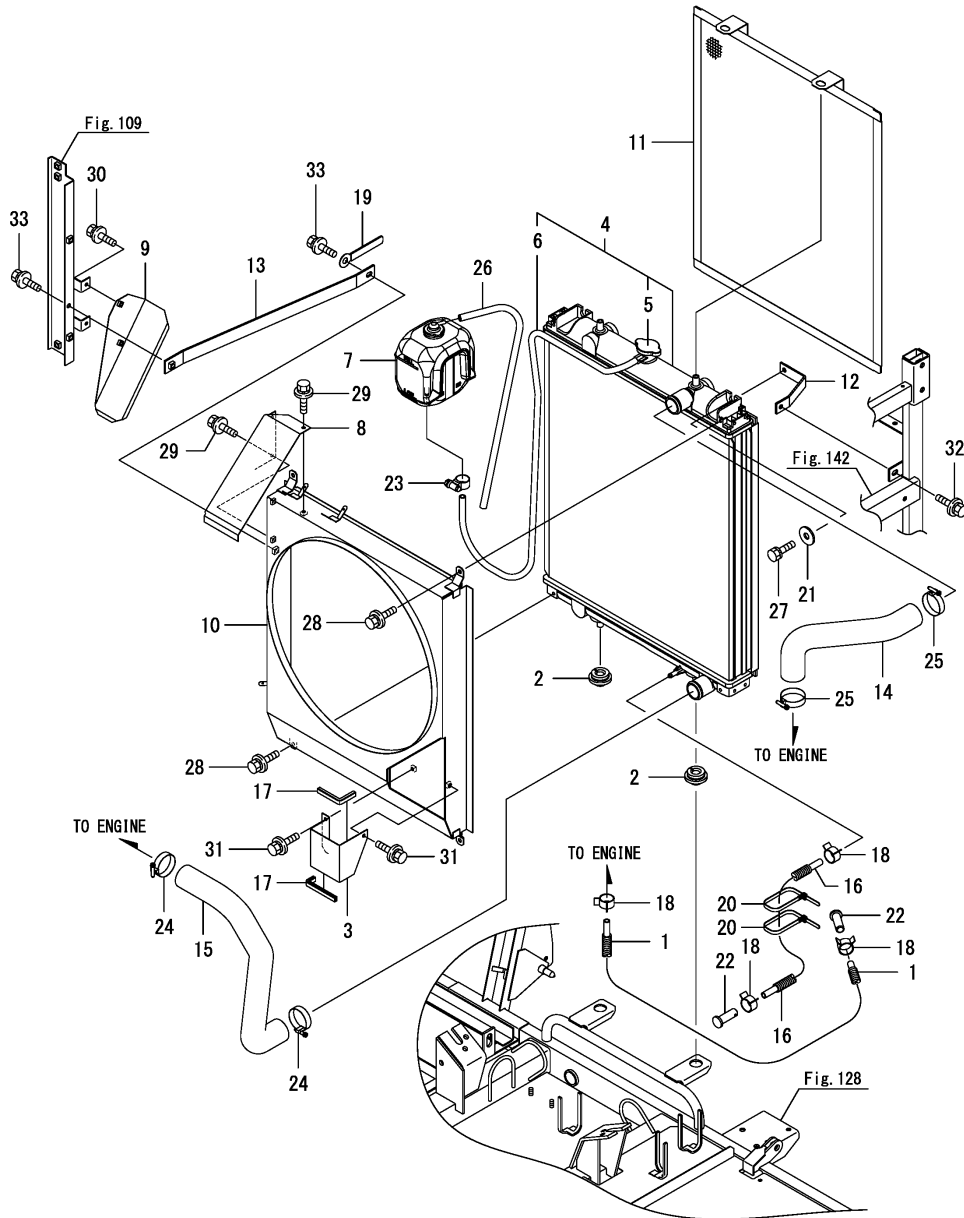
(D)=
 (E)=
 (F)=

No.	Lev.	Parts No.	Description	Q'ty						I	R
				(A)	(B)	(C)	(D)	(E)	(F)		
1	1	1E6B30-03500	PIPE ASSY, FO L=900	1							
2	1	1E8809-04010	CUSHION, RADIATOR	2							
3	1	1E9062-04080	GUARD,HOSE	1							
4	1	1E6C40-04100	RADIATOR ASSY,600	1							
5	2	1E6B30-04120	CAP	1							
6	2	1E6B30-04132	HOSE	1							
7	1	1E6C40-04151	TANK SUB ASSY	1							
8	1	1E6C40-04311	SHROUD	1							
9	1	1E6C40-04400	PROTECTOR, FRONT	1							
10	1	1E6B30-04430	STAY, RADIATOR A	1							
11	1	1E6B30-04450	STAY, RADIATOR B	1							
12	1	1E6B30-04480	HOSE, WATER B	1							
13	1	1E6C40-04480	HOSE, WATER A	1							
14	1	1E6B30-04930	PIPE ASSY, FO L=450	1							
15	1	1E8559-32940	MOLD 100	2							
16	1	106990-44660	CLAMP, HOSE 12.5	4							
17	1	1J5025-47010	CLAMP 8	1							
18	1	1E8559-84960	CABLE BAND 250	2							
19	1	22157-08000	WASHER, 8	1							
20	1	22487-080200	PIN, H 8X 20	2							
21	1	23000-013000	CLAMP, 13	1							
22	1	23000-048000	CLAMP, 48	2							
23	1	23000-048000	CLAMP, 48	2							
24	1	23980-730550	HOSE, 7.3X 550	1							
25	1	26013-080202	BOLT, M8X 20	1							
26	1	26014-060162	BOLT, M6X 16	4							
27	1	26014-060162	BOLT, M6X 16	3							
28	1	26014-060162	BOLT, M6X 16	2							
29	1	26014-080202	BOLT, M8X 20	1							
30	1	26014-080202	BOLT, M8X 20	2							

Fig.12. RADIATOR

(A)=AW70V,SX-ID
(B)=AW82V,SX-ID
(C)=

(D)=
(E)=
(F)=

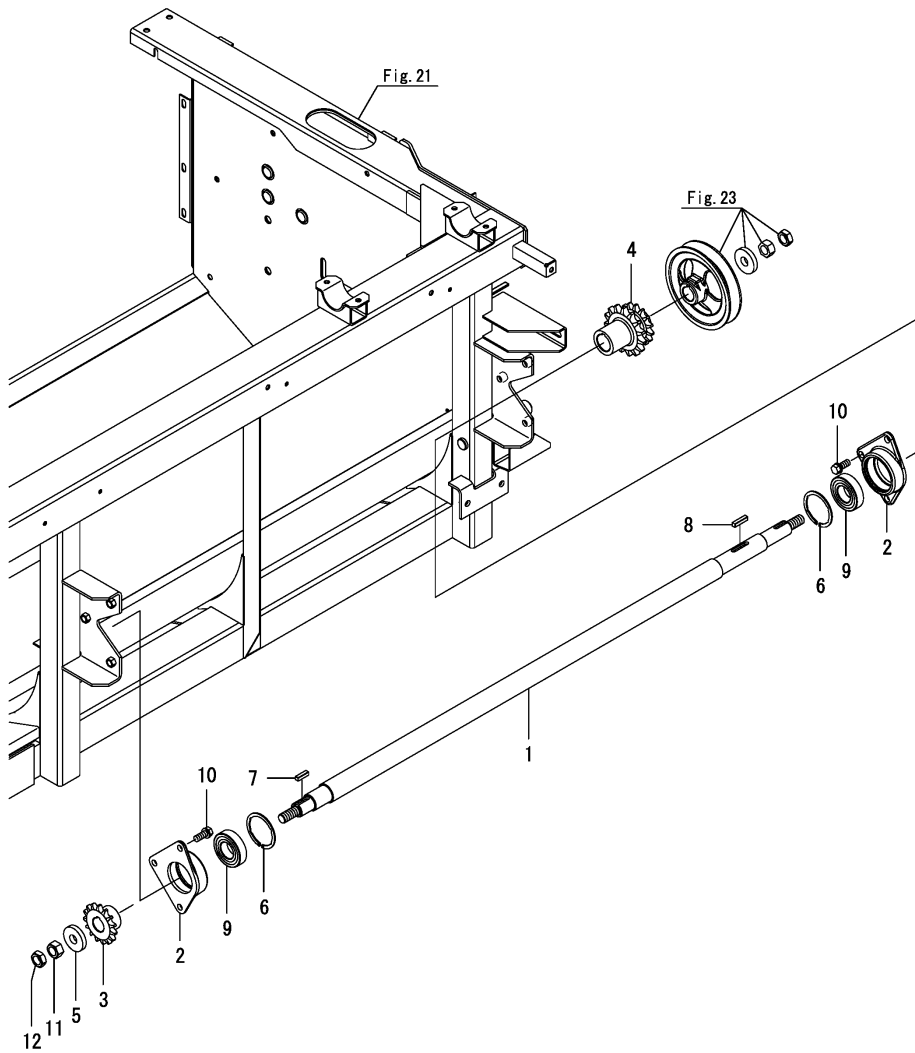


No.	Lev.	Parts No.	Description	Qty						I	R
				(A)	(B)	(C)	(D)	(E)	(F)		
1	1	1E6B30-03500	PIPE ASSY, FO L=900		1						
2	1	1E8809-04010	CUSHION, RADIATOR		2						
3	1	1E9062-04080	GUARD,HOSE		1						
4	1	1E6C40-04100	RADIATOR ASSY,600		1						
5	2	1E6B30-04120	CAP		1						
6	2	1E6B30-04132	HOSE		1						
7	1	1E6C40-04151	TANK SUB ASSY		1						
8	1	1E6C40-04200-1	DUCT, ALTERNATOR		1						
9	1	1E6C40-04210-1	DUCT, STARTER		1						
10	1	1E6C40-04311	SHROUD		1						
11	1	1E6C40-04400	PROTECTOR, FRONT		1						
12	1	1E6B30-04430	STAY, RADIATOR A		1						
13	1	1E6B30-04450	STAY, RADIATOR B		1						
14	1	1E6B30-04480	HOSE, WATER B		1						
15	1	1E6C40-04480	HOSE, WATER A		1						
16	1	1E6B30-04930	PIPE ASSY, FO L=450		1						
17	1	1E8559-32940	MOLD 100		2						
18	1	106990-44660	CLAMP, HOSE 12.5		4						
19	1	1J5025-47010	CLAMP 8		1						
20	1	1E8559-84960	CABLE BAND 250		2						
21	1	22157-080000	WASHER, 8		1						
22	1	22487-080200	PIN, H 8X 20		2						
23	1	23000-013000	CLAMP, 13		1						
24	1	23000-048000	CLAMP, 48		2						
25	1	23000-048000	CLAMP, 48		2						
26	1	23980-730550	HOSE, 7.3X 550		1						
27	1	26013-080202	BOLT, M8X 20		1						
28	1	26014-060162	BOLT, M6X 16		4						
29	1	26014-060162	BOLT, M6X 16		3						
30	1	26014-060162	BOLT, M6X 16		2						
31	1	26014-060162	BOLT, M6X 16		2						
32	1	26014-080202	BOLT, M8X 20		1						
33	1	26014-080202	BOLT, M8X 20		2						

Fig.13. DRIVE SHAFT(PLATFORM)

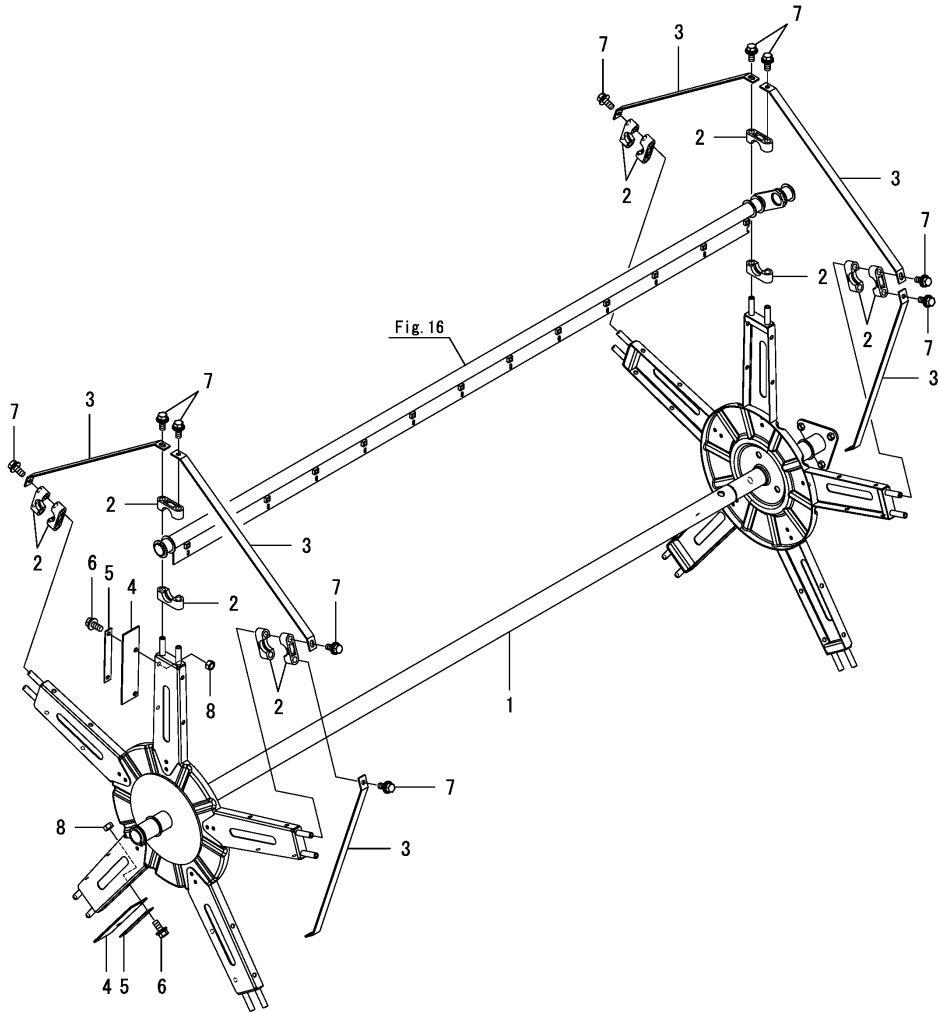
(A)=AW70V,SX-ID
 (B)=AW82V,SX-ID
 (C)=

(D)=
 (E)=
 (F)=



No.	Lev.	Parts No.	Description	Q'ty						I	R
				(A)	(B)	(C)	(D)	(E)	(F)		
1	1	1E6C85-12100	SHAFT, PF DRIVE	1	1						
2	1	1E6C80-12200	CASE, BEARING	2	2						
3	1	1E6C85-12300	SPROCKET, 13T	1	1						
4	1	1E6C85-12400	SPROCKET, PF	1	1						
5	1	1E6B30-36560	COLLAR, (16.5X45X8	1	1						
6	1	22252-000621	RING, 62	2	2						
7	1	22551-070250	KEY, 7X 25	1	1						
8	1	22551-070300	KEY, 7X 30	1	1						
9	1	24104-062064	BEARING, BALL 6206UU	2	2						
10	1	26013-100252	BOLT, M10X 25	6	6						
11	1	26737-160002	NUT, M16	1	1						
12	1	26777-160002	NUT, LOCK M16	1	1						

Fig.14. CENTER SHAFT



(A)=AW70V,SX-ID
 (B)=AW82V,SX-ID
 (C)=

(D)=
 (E)=
 (F)=

No.	Lev.	Parts No.	Description	Q'ty						I	R
				(A)	(B)	(C)	(D)	(E)	(F)		
1	1	1E6C85-13000	SHAFT, CENTER	1	1						
2	1	1E6C85-13230	BRACKET, TINE	20	20						
3	1	1E6C85-13250	RETAINER, BAR	10	10						
4	1	1E6B30-13300	PLATE, REEL	2	2						
5	1	1E6B30-13350	RETAINER, PLATE	2	2						
6	1	26014-080202	BOLT, M8X 20	4	4						
7	1	26014-080202	BOLT, M8X 20	20	20						
8	1	26717-080002	NUT, M8	4	4						

Fig.15. REEL DISC

(A)=AW70V,SX-ID
 (B)=AW82V,SX-ID
 (C)=

(D)=
 (E)=
 (F)=

No.	Lev.	Parts No.	Description	Q'ty						I	R
				(A)	(B)	(C)	(D)	(E)	(F)		
1	1	1E6C85-13200	DISK,REEL B	1	1						
2	1	1E6C85-13230	BRACKET, TINE	10	10						
3	1	1E6C85-13250	RETAINER, BAR	5	5						
4	1	1E6B30-13300	PLATE, REEL	2	2						
5	1	1E6B30-13350	RETAINER, PLATE	2	2						
6	1	26014-080202	BOLT, M8X 20	4	4						
7	1	26014-080202	BOLT, M8X 20	10	10						
8	1	26717-080002	NUT, M8	4	4						

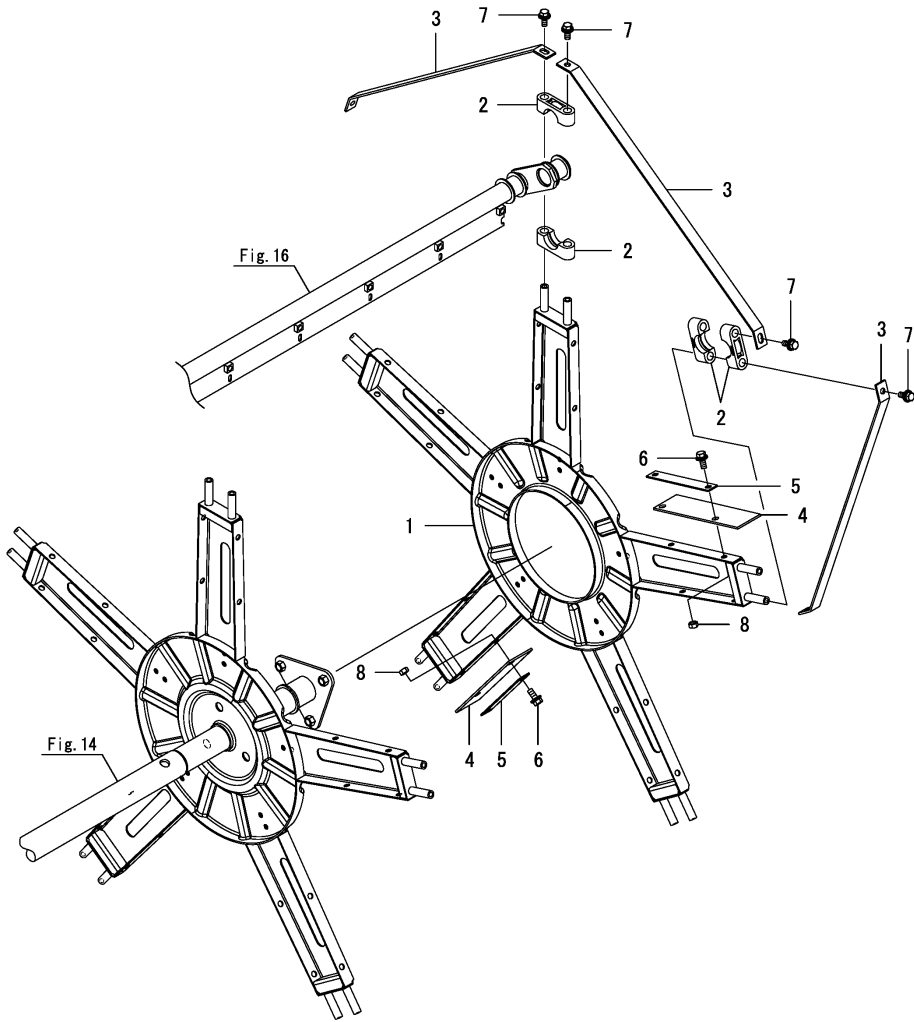


Fig.16. TINE BAR

(A)=AW70V,SX-ID
 (B)=AW82V,SX-ID
 (C)=

(D)=
 (E)=
 (F)=

No.	Lev.	Parts No.	Description	Q'ty						I	R
				(A)	(B)	(C)	(D)	(E)	(F)		
1	1	7E6C80-13400	BAR ASSY, TINE	1	1						
2	2	7E6C80-13450	BAR,TINE A	3	3						
3	3	1E6B30-13060	TINE	39	39						
4	3	1E6C80-13450	BAR,TINE A	3	3						
5	3	1E6B30-13480	COVER, TINE SA	3	3						
6	3	26014-080202	BOLT, M8X 20	39	39						
7	2	7E6C80-13520	BAR,TINE B	2	2						
8	3	1E6B30-13060	TINE	26	26						
9	3	1E6C80-13520	BAR,TINE B	2	2						
10	3	1E6B30-13540	COVER, TINE SB	2	2						
11	3	26014-080202	BOLT, M8X 20	26	26						

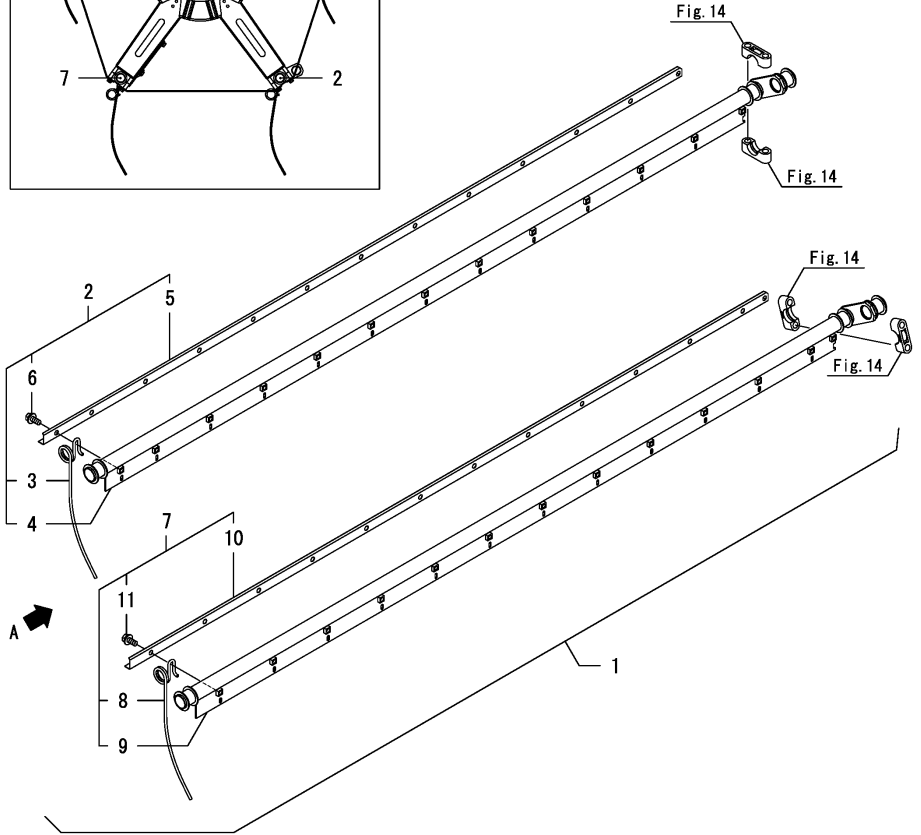
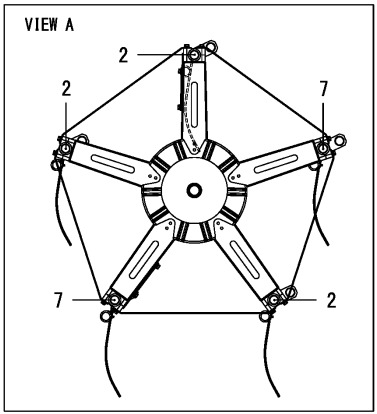
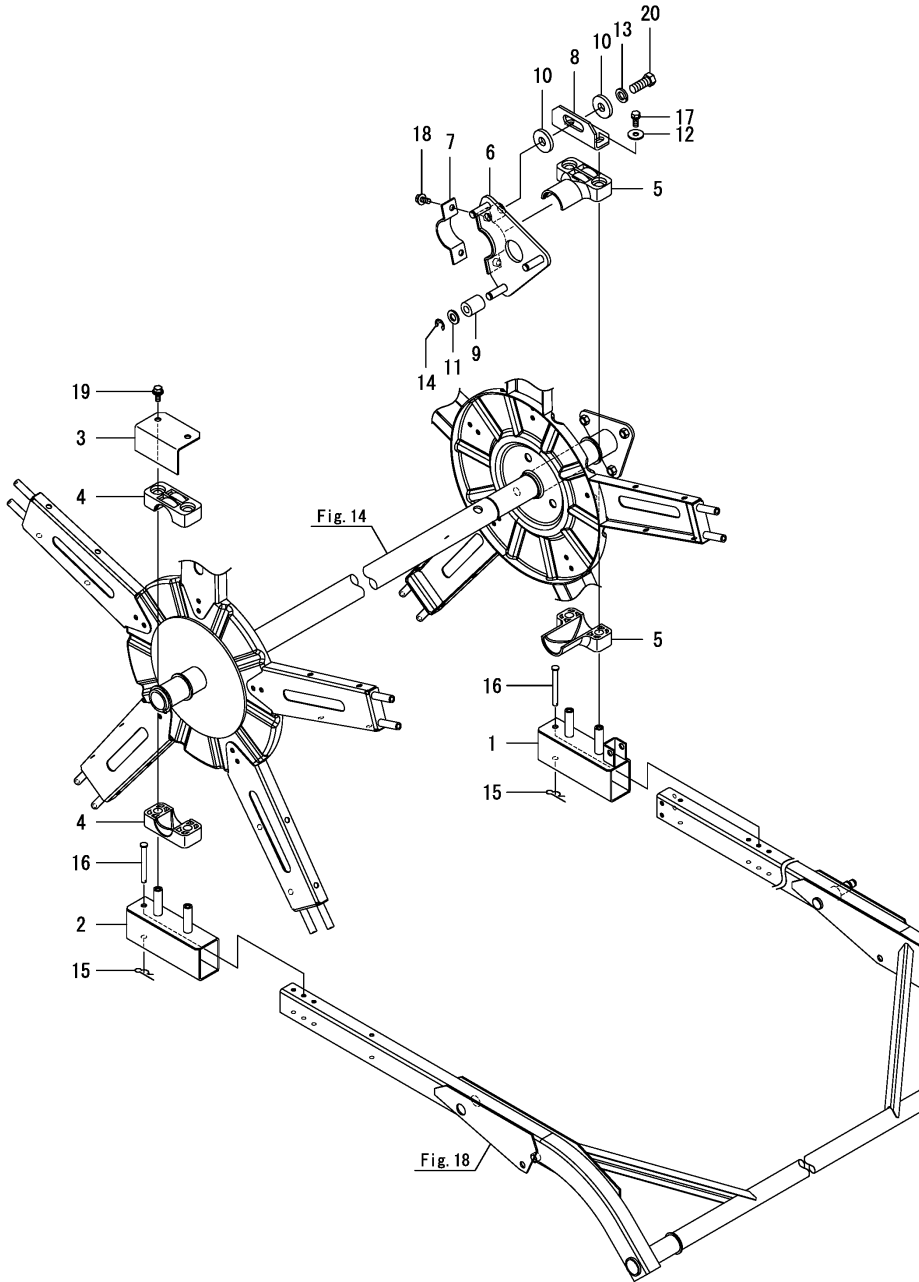


Fig.17. REEL SLIDE



(A)=AW70V,SX-ID
(B)=AW82V,SX-ID
(C)=

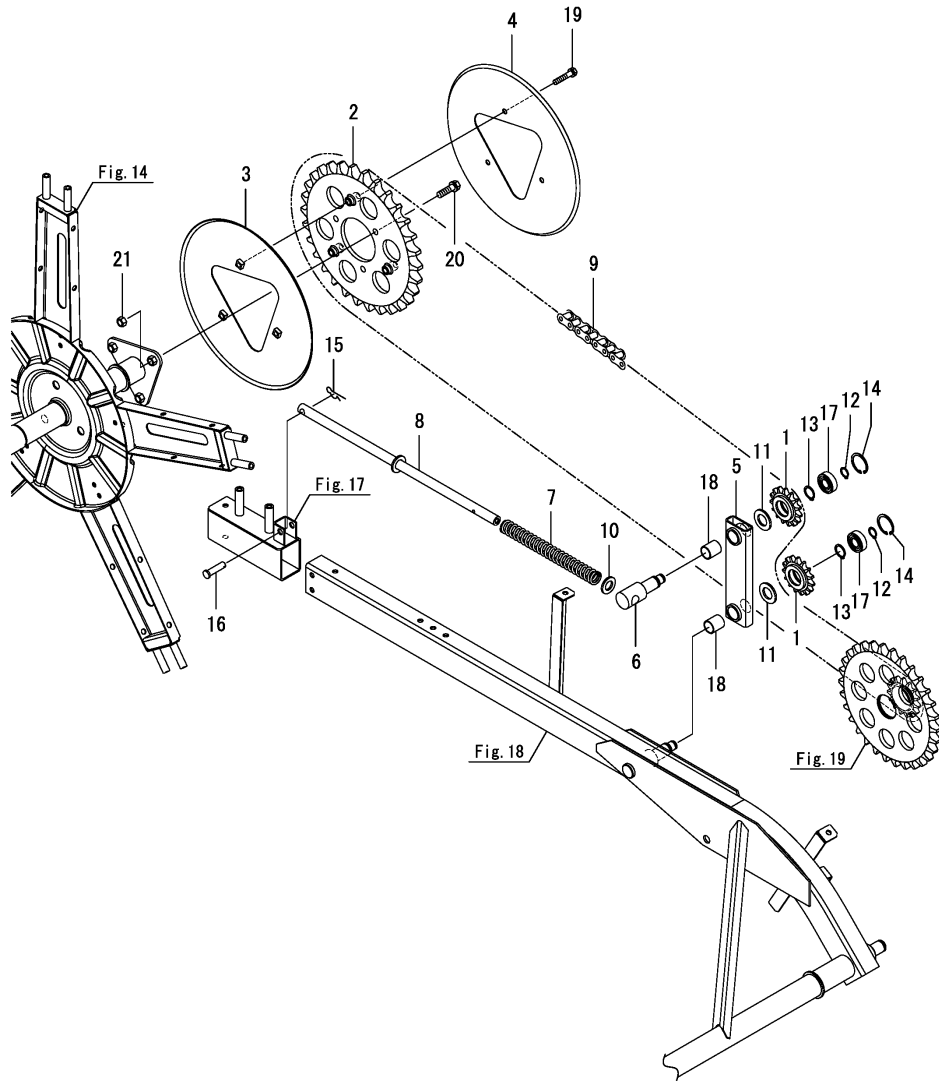
(D)=
(E)=
(F)=

No.	Lev.	Parts No.	Description	Q'ty						I	R
				(A)	(B)	(C)	(D)	(E)	(F)		
1	1	1E6B30-13550	SLIDER, REEL R	1	1						
2	1	1E6B30-13600	SLIDER, REEL L	1	1						
3	1	1E6B30-13611	COVER, REEL SHAFT	1	1						
4	1	1E6B30-13621	BRACKET, REEL L	2	2						
5	1	1E6B30-13631	BRACKET, REEL R	2	2						
6	1	1E6C85-13640	DISK,A	1	1						
7	1	1E6B30-13680	BASE, DISK FULCRUM A	1	1						
8	1	1E6B30-13701	PLATE, ADJUST TINE	1	1						
9	1	1E6B30-13711	ROLLER, DISK	3	3						
10	1	1E9060-51720	PLATE, 15X40X6	2	2						
11	1	22137-120000	WASHER, 12	3	3						
12	1	22157-080000	WASHER, 8	2	2						
13	1	22217-140000	WASHER, SPRING 14	1	1						
14	1	22272-000100	RING, E-10	3	3						
15	1	22372-080000	PIN, SNAP 8	2	2						
16	1	22487-080700	PIN, H 8X 70	2	2						
17	1	26013-080202	BOLT, M8X 20	2	2						
18	1	26014-080202	BOLT, M8X 20	2	2						
19	1	26014-080202	BOLT, M8X 20	2	2						
20	1	26156-140352	BOLT, M14X 35 PLATED	1	1						

Fig.20. REEL DRIVE

(A)=AW70V,SX-ID
(B)=AW82V,SX-ID
(C)=

(D)=
(E)=
(F)=



No.	Lev.	Parts No.	Description	Q'ty						I	R
				(A)	(B)	(C)	(D)	(E)	(F)		
1	1	1E6B30-14050	SPROCKET, 15T	2	2						
2	1	1E6C85-14200	SPROCKET, REEL 59T	1	1						
3	1	1E6C85-14220	GUIDE, SPROCKET B	1	1						
4	1	1E6C85-14230	GUIDE, SPROCKET BA	1	1						
5	1	1E6C80-14250	ARM, REEL TENSION	1	1						
6	1	1E6B30-14280	SHAFT, FULCRUM A	1	1						
7	1	1E6C80-14290	SPRING, TENSION	1	1						
8	1	1E6C85-14310	ROD, TENSION	1	1						
9	1	1E6C85-14400	CHAIN, 40X206L	1	1						
10	1	22137-160000	WASHER, 16	1	1						
11	1	22137-200000	WASHER, 20	2	2						
12	1	22242-000150	RING, 15	2	2						
13	1	22242-000200	RING, 20	2	2						
14	1	22252-000350	RING, 35	2	2						
15	1	22372-100000	PIN, SNAP 10	1	1						
16	1	22487-100350	PIN 10X 35	1	1						
17	1	24104-062024	BEARING, BALL 6202UU	2	2						
18	1	24550-020250	BUSH, 20X25	2	2						
19	1	26013-080402	BOLT, M8X 40	3	3						
20	1	26013-100352	BOLT, M10X 35	3	3						
21	1	26717-100002	NUT, M10	3	3						

Fig.21. REAP FRAME

(A)=AW70V,SX-ID
 (B)=AW82V,SX-ID
 (C)=

(D)=
 (E)=
 (F)=

No.	Lev.	Parts No.	Description	Q'ty						I	R
				(A)	(B)	(C)	(D)	(E)	(F)		
1	1	1E6C85-15000	FRAME ASSY,REAPING	1	1						
2	1	1E6B30-15041	GUIDE, LIFTING A	4	4						
3	1	1E6B30-16801	BUSH, LIFTING	8	8						
4	1	1E6C80-16850	PLATE,HOLE COVER	2	2						
5	1	1E9265-84300	CLIP, BAND	6	6						
6	1	22217-060000	WASHER, SPRING 6	2	2						
7	1	26014-080202	BOLT, M8X 20	8	8						
8	1	26636-060002	NUT, WING M6	2	2						

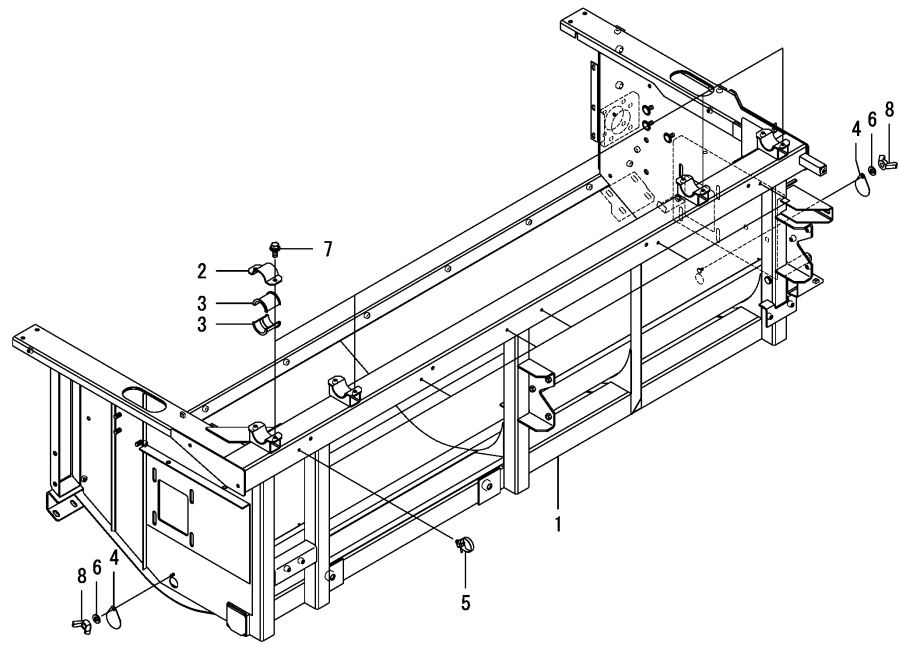
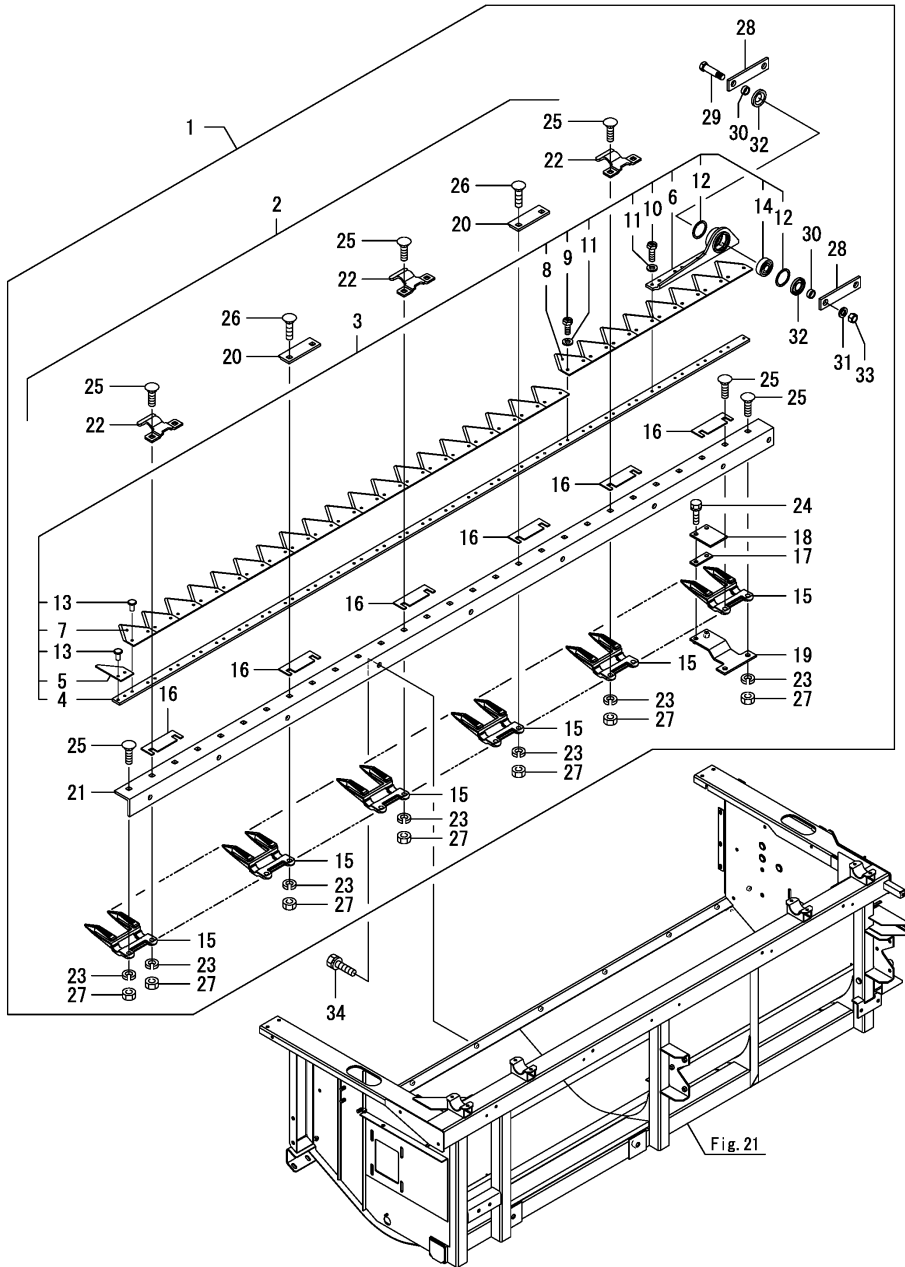


Fig.22. REAP EDGE

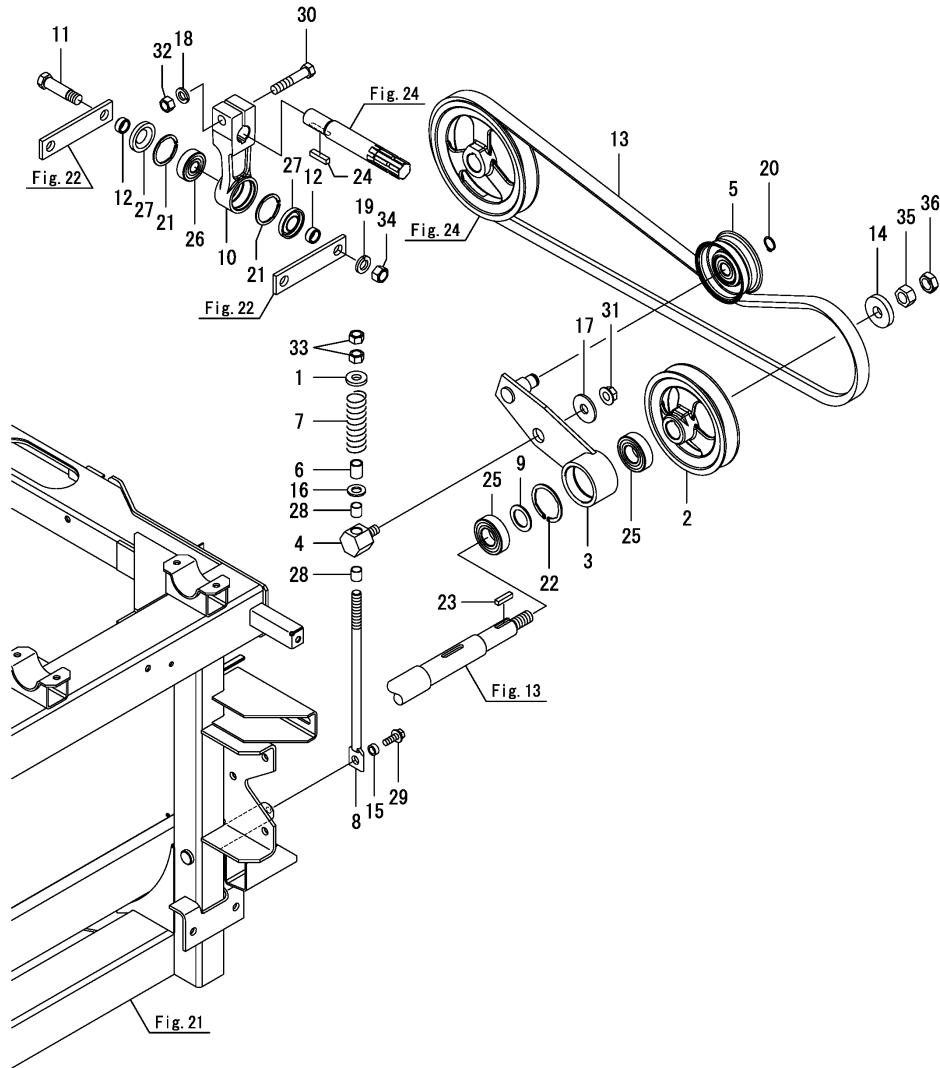


(A)=AW70V,SX-ID
(B)=AW82V,SX-ID
(C)=

(D)=
(E)=
(F)=

No.	Lev.	Parts No.	Description	Q'ty						I	R
				(A)	(B)	(C)	(D)	(E)	(F)		
1	1	1E6C85-17100	REAPING EDGE ASSY,OS	1	1						
2	2	1E6C40-17003	REAPING EDGE ASSY,S	1	1						
3	3	1E6C40-17013	REAPING EDGE ASSY,S	1	1						
4	4	1E6B30-17021	BAR, KNIFE S	1	1						
5	4	1E6B30-17030	GUIDE, L	1	1						
6	4	1E6C40-17040	HEAD, KNIFE	1	1						
7	4	1E6B30-17070	REAPING EDGE	19	19						
8	4	1S7596-17071	REAPING EDGE, N	8	8						
9	4	1S7596-17080	BOLT, M6X16 11T	8	8						
10	4	1E6B30-17290	BOLT, M6X20 11T	8	8						
11	4	22217-060000	WASHER, SPRING 6	16	16						
12	4	22252-000421	CIRCLIP 42	2	2						
13	4	22641-500160	RIVET, 5.0X16	40	40						
14	4	24104-063024	BEARING, BALL 6302UU	1	1						
15	3	1E6B30-17101	BACKING EDGE, A	14	14						
16	3	1E6B30-17120	PLATE, FRICTION R	6	6						
17	3	1E6B30-17130	PLATE, 55X20X4	1	1						
18	3	1E6B30-17140	BACKING EDGE, B	1	1						
19	3	1E6B30-17151	BACKING EDGE, C	1	1						
20	3	1E6B30-17170	PLATE,RETAINER	2	2						
21	3	1E6B30-17200	BASE, BACKING EDGE S	1	1						
22	3	1S7596-24170	CLIP, KNIFE B	3	3						
23	3	22217-100000	WASHER, SPRING 10	28	28						
24	3	26013-080252	BOLT, M8X 25	2	2						
25	3	26487-100353	BOLT, M10X35	24	24						
26	3	26487-100403	BOLT, M10X40	4	4						
27	3	26717-100002	NUT, M10	28	28						
28	2	1E6C85-17860	PLATE, CONNECT 101	2	2						
29	2	1E6B30-17870	BOLT, REAMER 15X59	1	1						
30	2	1E6B30-17890	SLEEVE, 20X15X9	2	2						
31	2	22217-140000	WASHER, SPRING 14	1	1						
32	2	24430-204206	SEAL, OIL VC204206	2	2						
33	2	26717-140002	NUT, M14	1	1						
34	1	26013-100252	BOLT, M10X 25	9	9						

Fig.23. REAP EDGE DRIVE



(A)=AW70V,SX-ID
(B)=AW82V,SX-ID
(C)=

(D)=
(E)=
(F)=

No.	Lev.	Parts No.	Description	Q'ty						I	R
				(A)	(B)	(C)	(D)	(E)	(F)		
1	1	1E8559-12500	WASHER 12X28X4.5	1	1						
2	1	1E6C85-17430	V-PULLEY,150C1	1	1						
3	1	1E6C85-17450	ARM,EDGE TENSION	1	1						
4	1	1E6C85-17490	PIN, ARM	1	1						
5	1	1E6C85-17500	ROLLER,TENSION 80	1	1						
6	1	1E6C85-17521	COLLAR,TENSION	1	1						
7	1	1E6C85-17530	SPRING,25X85	1	1						
8	1	1E6C85-17550	BOLT,TENSION 12X272	1	1						
9	1	1E6C85-17570	COLLAR,25.5X38X2	1	1						
10	1	1E6C85-17850	ARM, CD	1	1						
11	1	1E6B30-17870	BOLT, REAMER 15X59	1	1						
12	1	1E6B30-17890	SLEEVE, 20X15X9	2	2						
13	1	1E6C80-36370	V-BELT, LC70-AG8	1	1						
14	1	1E6B30-36560	COLLAR, (16.5X45X8	1	1						
15	1	1E8559-75030	SPACER 5	1	1						
16	1	22137-120000	WASHER, 12	1	1						
17	1	22157-120000	WASHER, 12	1	1						
18	1	22217-120000	WASHER, SPRING 12	1	1						
19	1	22217-140000	WASHER, SPRING 14	1	1						
20	1	22242-000170	RING, 17	1	1						
21	1	22252-000421	CIRCLIP 42	2	2						
22	1	22252-000521	RING, 52	1	1						
23	1	22551-070250	KEY, 7X 25	1	1						
24	1	22551-070300	KEY, 7X 30	1	1						
25	1	24104-062054	BEARING, BALL 6205UU	2	2						
26	1	24104-063024	BEARING, BALL 6302UU	1	1						
27	1	24430-204206	SEAL, OIL VC204206	2	2						
28	1	24550-012150	BUSH, 12X15	2	2						
29	1	26014-080252	BOLT, M8X 25	1	1						
30	1	26116-120602	BOLT, M12X 60 PLATED	1	1						
31	1	26367-120002	NUT, M12	1	1						
32	1	26717-120002	NUT, M12	1	1						
33	1	26717-120002	NUT, M12	2	2						
34	1	26717-140002	NUT, M14	1	1						
35	1	26737-160002	NUT, M16	1	1						
36	1	26777-160002	NUT, LOCK M16	1	1						

Fig.24. REAP EDGE DRIVE CASE

(A)=AW70V,SX-ID
(B)=AW82V,SX-ID
(C)=

(D)=
(E)=
(F)=

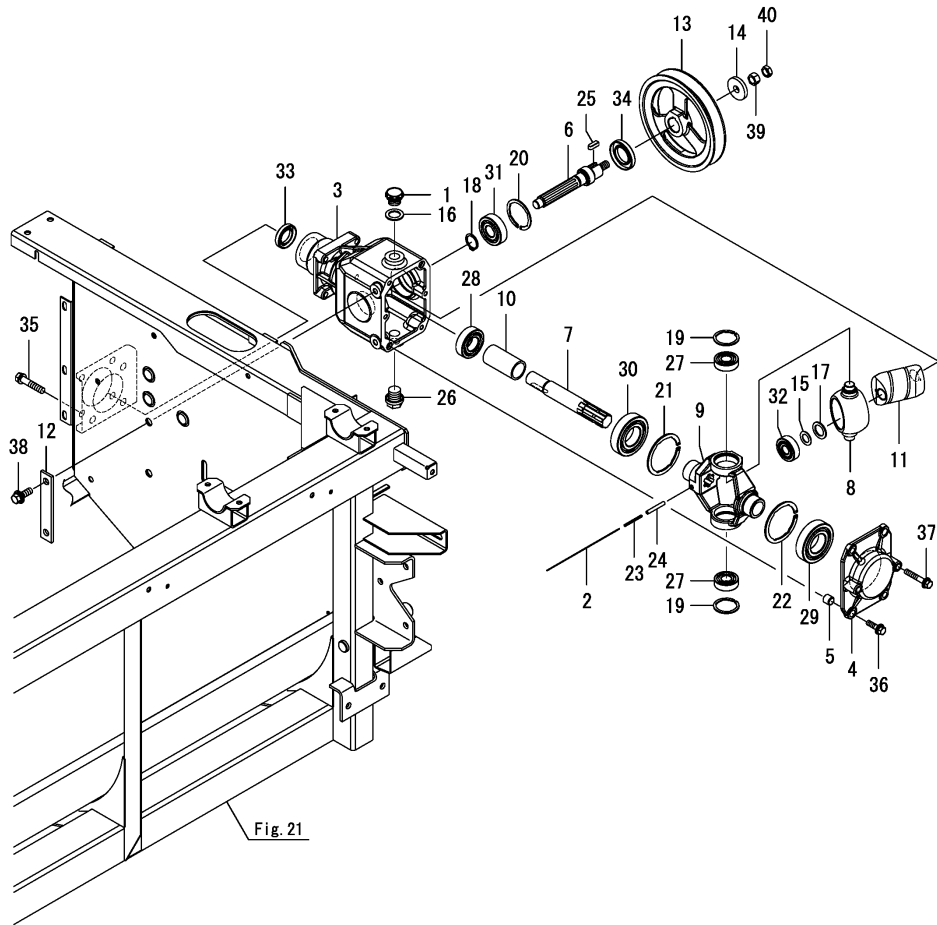


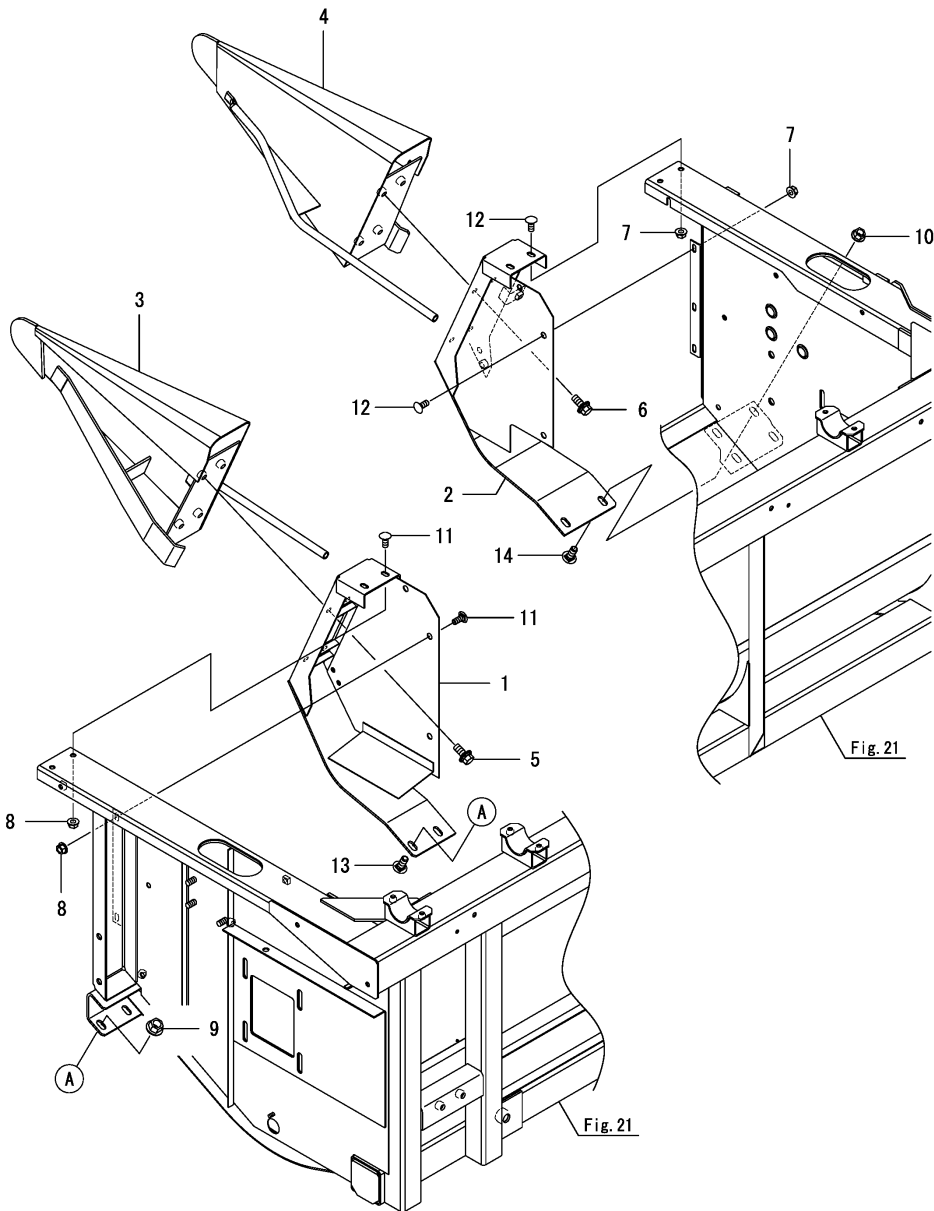
Fig. 21

No.	Lev.	Parts No.	Description	Q'ty						I	R
				(A)	(B)	(C)	(D)	(E)	(F)		
1	1	195295-13210	PLUG, OIL	1	1						
2	1	1E6680-13890	WIRE, 1.2	1	1						
3	1	1E6682-17053	CASE, REAP.EDGE DRV	1	1						
4	1	1E6682-17070	COVER	1	1						
5	1	1E6682-17080	BUSH, 9X12X11	2	2						
6	1	1E6680-17100	SHAFT, CD 1	1	1						
7	1	1E6680-17110	SHAFT, CD 2	1	1						
8	1	1E6680-17130	YOKE, INNER	1	1						
9	1	1E6682-17140	YOKE	1	1						
10	1	1E6680-17150	COLLAR, 27.6X34X66	1	1						
11	1	1E9111-17150	MASS, ECCENTRIC	1	1						
12	1	1E6C85-17420	STAY,DRIVE CASE	1	1						
13	1	1E6C85-17440	V-PULLEY,175C1	1	1						
14	1	1E6C85-17540	COLLAR, 12.5X40X6	1	1						
15	1	1E4110-24010	LINER, 15	1	1						
16	1	1A1120-28170	PACKING,OIL PLUG 20	1	1						
17	1	1E6140-51170	SPACER, 20X30X2	1	1						
18	1	22242-000200	RING, 20	1	1						
19	1	22252-000401	RING, 40	2	2						
20	1	22252-000521	RING, 52	1	1						
21	1	22252-000721	RING, 72	1	1						
22	1	22252-000721	RING, 72	1	1						
23	1	22351-030040	PIN, SPRING 3.0X40	1	1						
24	1	22351-050040	PIN, SPRING 5.0X40	1	1						
25	1	22551-070201	KEY, 7X 20	1	1						
26	1	23490-200002	PLUG, 20	1	1						
27	1	24101-062034	BEARING, BALL 6203	2	2						
28	1	24101-062054	BEARING, BALL 6205	1	1						
29	1	24101-062074	BEARING, BALL 6207	1	1						
30	1	24101-062074	BEARING, BALL 6207	1	1						
31	1	24101-063024	BEARING, BALL 6302	1	1						
32	1	24101-063044	BEARING, BALL 6304	1	1						
33	1	24421-254208	SEAL, OIL TC254208	1	1						
34	1	24421-305208	SEAL, OIL TC305208	1	1						
35	1	26013-100502	BOLT, M10X 50	4	4						
36	1	26014-080302	BOLT, M8X 30	4	4						
37	1	26014-080502	BOLT, M8X 50	2	2						
38	1	26014-100302	BOLT, M10X 30	2	2						
39	1	26737-120002	NUT, M12	1	1						
40	1	26777-120002	NUT, LOCK M12	1	1						

Fig.25. DIVIDER

(A)=AW70V,SX-ID
 (B)=AW82V,SX-ID
 (C)=

(D)=
 (E)=
 (F)=

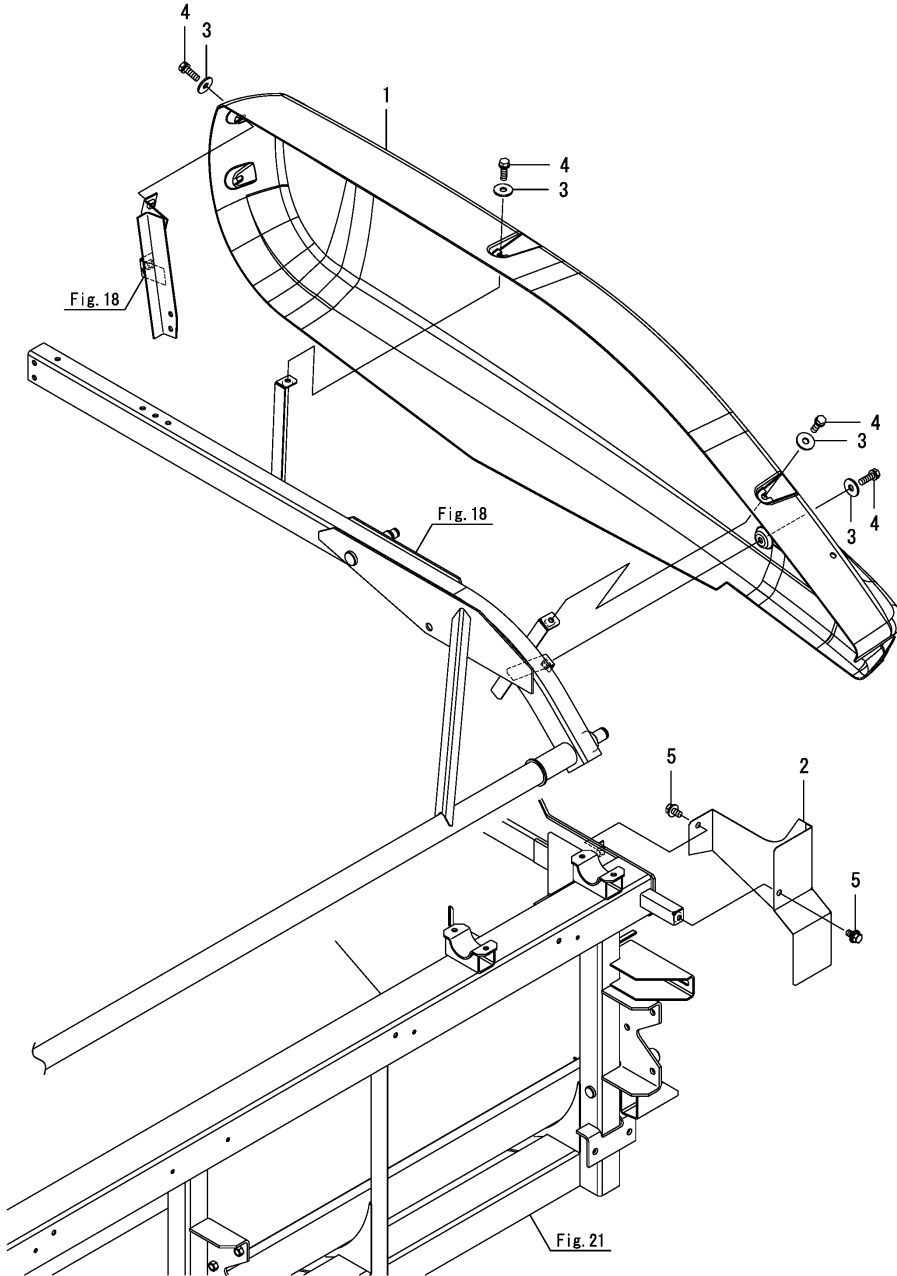


No.	Lev.	Parts No.	Description	Q'ty						I	R
				(A)	(B)	(C)	(D)	(E)	(F)		
1	1	1E6B30-18004	BRACKET, DIVIDER L	1	1						
2	1	1E6B30-18203	BRACKET, DIVIDER R	1	1						
3	1	1E6B35-18500-2	DIVIDER,L	1	1						
4	1	1E6B35-18700-2	DIVIDER,R	1	1						
5	1	26014-100252	BOLT, M10X 25	4	4						
6	1	26014-100252	BOLT, M10X 25	4	4						
7	1	26367-080002	NUT, M8	5	5						
8	1	26367-080002	NUT, M8	5	5						
9	1	26367-100002	NUT, M10	2	2						
10	1	26367-100002	NUT, M10	2	2						
11	1	26487-080202	BOLT, M8X20	5	5						
12	1	26487-080202	BOLT, M8X20	5	5						
13	1	26487-100253	BOLT, M10X25	2	2						
14	1	26487-100253	BOLT, M10X25	2	2						

Fig.26. REEL COVER

(A)=AW70V,SX-ID
 (B)=AW82V,SX-ID
 (C)=

(D)=
 (E)=
 (F)=



No.	Lev.	Parts No.	Description	Q'ty						I	R
				(A)	(B)	(C)	(D)	(E)	(F)		
1	1	1E6C85-19300	COVER,REEL	1	1						
2	1	1E6C85-19500	COVER,COUNTER	1	1						
3	1	22157-080000	WASHER, 8	5	5						
4	1	26013-080252	BOLT, M8X 25	5	5						
5	1	26014-080162	BOLT, M8X 16	2	2						

Fig.27. SIDE COVER(PLATFORM)(RIGHT)

(A)=AW70V,SX-ID
 (B)=AW82V,SX-ID
 (C)=

(D)=
 (E)=
 (F)=

No.	Lev.	Parts No.	Description	Qty						I	R
				(A)	(B)	(C)	(D)	(E)	(F)		
1	1	1E6C85-19800	COVER,PF SIDE R	1	1						
2	1	1E6C40-19850	GUIDE, PF	1	1						
3	1	22157-080000	WASHER, 8								
4	1	26013-080252	BOLT, M8X 25	5	5						
5	1	26014-100252	BOLT, M10X 25	2	2						

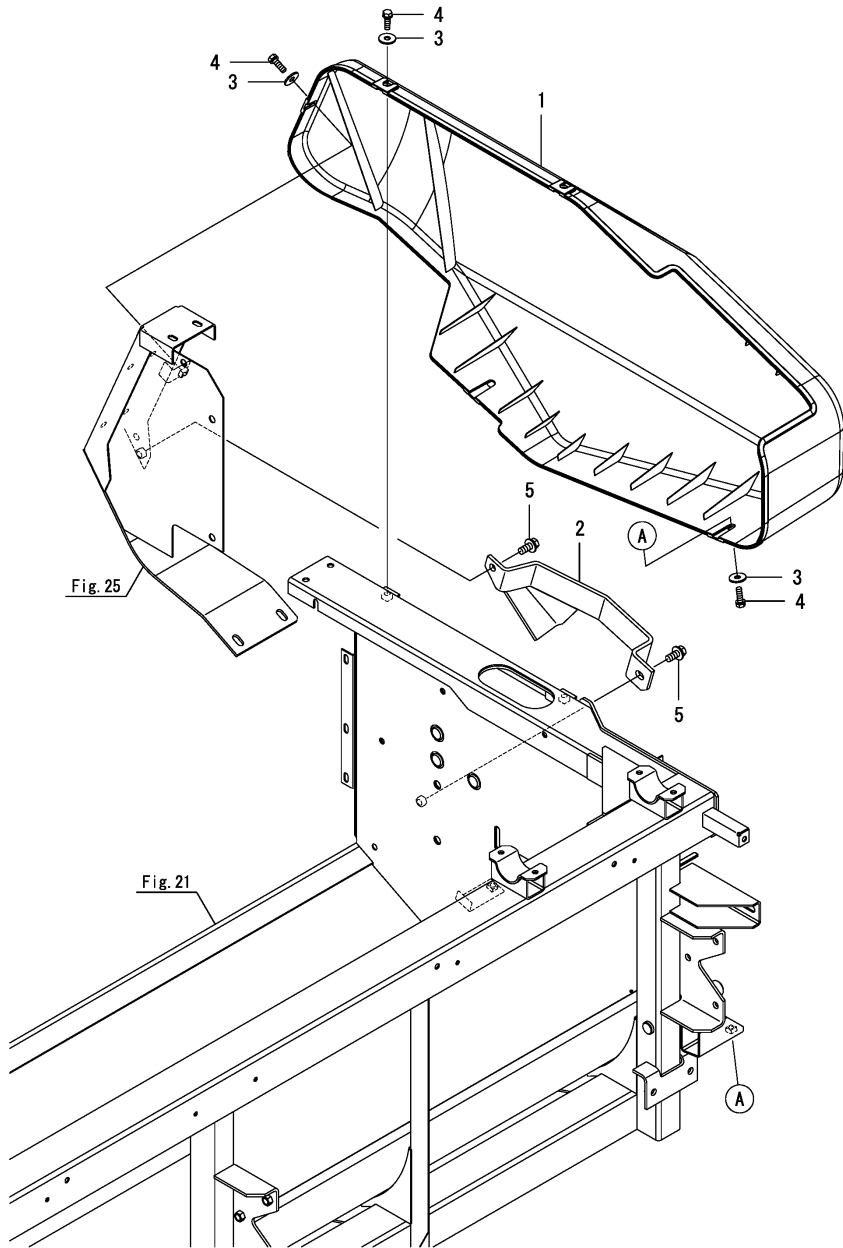
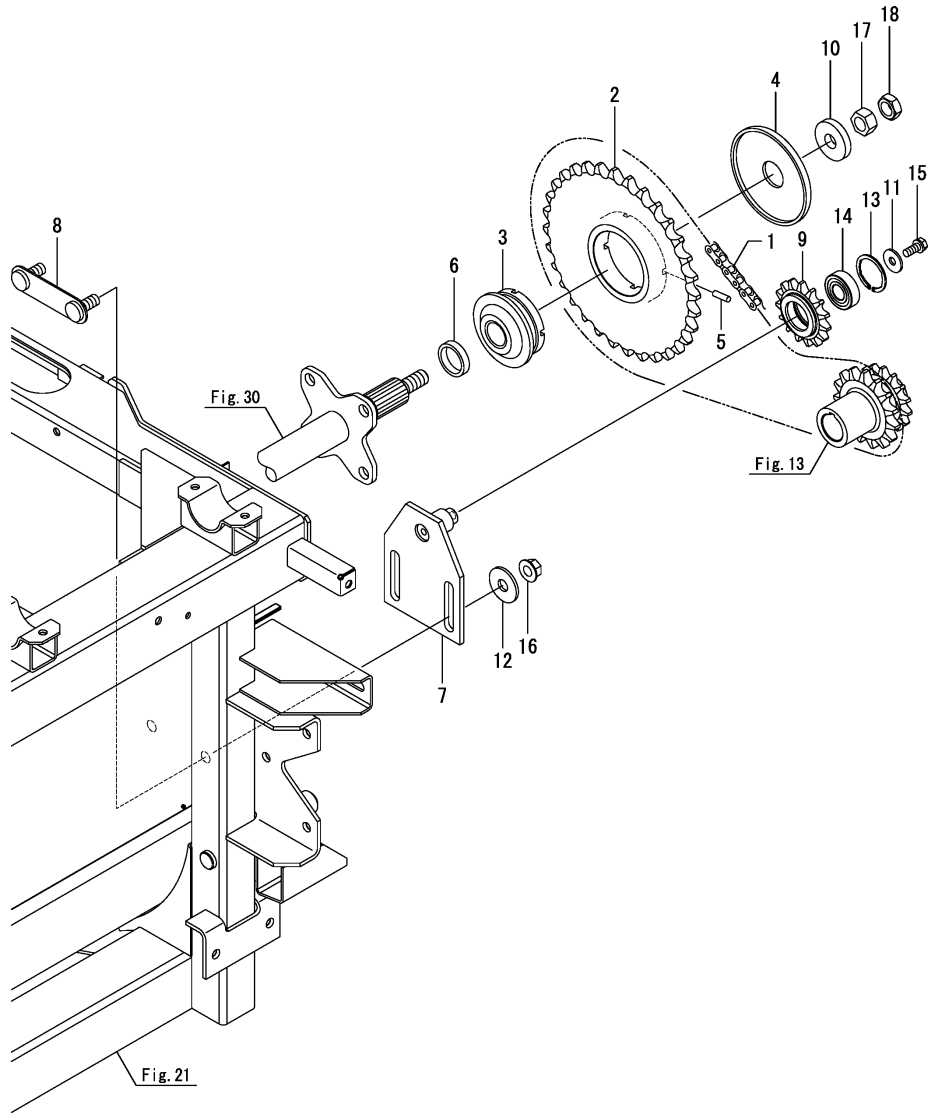


Fig.28. RAKE-IN DRIVE

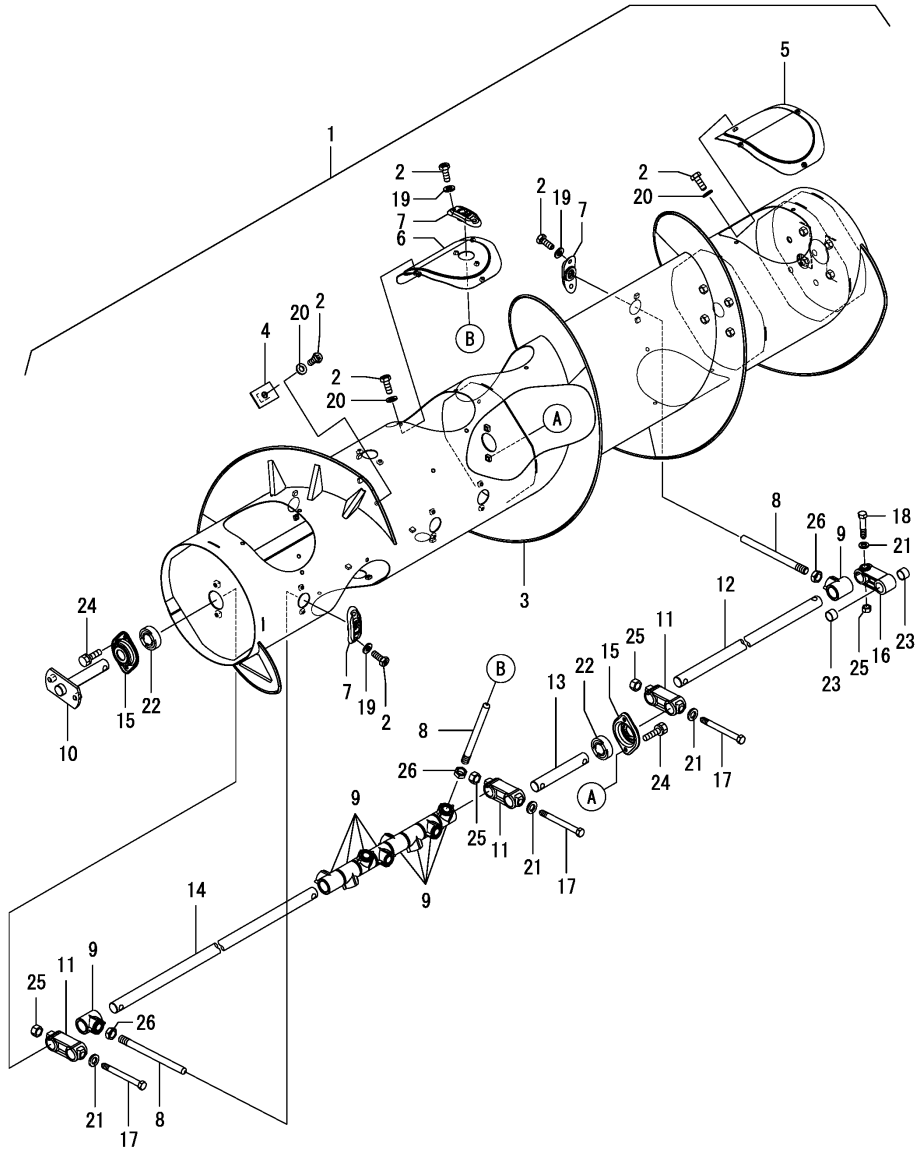


(A)=AW70V,SX-ID
 (B)=AW82V,SX-ID
 (C)=

(D)=
 (E)=
 (F)=

No.	Lev.	Parts No.	Description	Q'ty						I	R
				(A)	(B)	(C)	(D)	(E)	(F)		
1	1	1E6C85-21040	CHAIN, 50X82L	1	1						
2	1	1E6C85-21320	SPROCKET,PFA TL	1	1						
3	1	1E6B30-21350	BOSS, PFA TL	1	1						
4	1	1E6B30-21360	COVER,PIN TL	1	1						
5	1	1E6B30-21370	PIN,6X21 TL	1	1						
6	1	1E6C85-21400	COLLAR, PFA TL	1	1						
7	1	1E6C85-21500	PLATE ASSY,TENSION	1	1						
8	1	1E6C80-21550	STAY,TENSION	1	1						
9	1	1E6B30-36530	SPROCKET, 13 TENSION	1	1						
10	1	1E6B30-36560	COLLAR, (16.5X45X8	1	1						
11	1	22157-080000	WASHER, 8	1	1						
12	1	22157-120000	WASHER, 12	2	2						
13	1	22252-000401	RING, 40	1	1						
14	1	24104-062034	BEARING, BALL 6203UU	1	1						
15	1	26013-080202	BOLT, M8X 20	1	1						
16	1	26367-120002	NUT, M12	2	2						
17	1	26737-160002	NUT, M16	1	1						
18	1	26777-160002	NUT, LOCK M16	1	1						

Fig.29. AUGER(PLATFORM)



(A)=AW70V,SX-ID
(B)=AW82V,SX-ID
(C)=

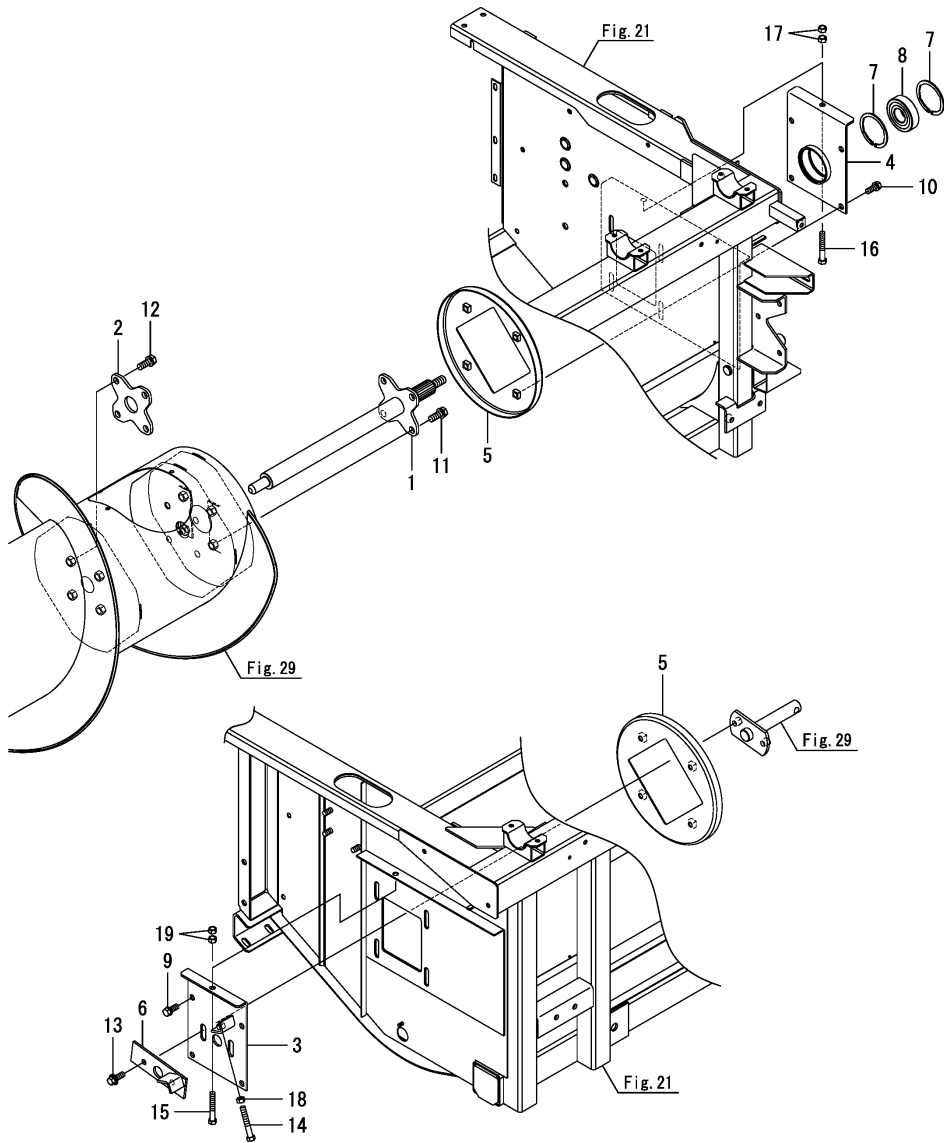
(D)=
(E)=
(F)=

No.	Lev.	Parts No.	Description	Q'ty						I	R
				(A)	(B)	(C)	(D)	(E)	(F)		
1	1	1E6C80-23000	AUGER ASSY,PF	1	1						
2	2	1S7596-17080	BOLT, M6X16 11T	57	57						
3	2	1E6C80-22000	AUGER,PLATFORM	1	1						
4	2	1E6B30-22230	STAY,SPIKE	12	12						
5	2	1E6B30-22280	COVER, CLEANING A	5	5						
6	2	1E6C80-22360	COVER,CLEANER C	1	1						
7	2	1E6B30-22400	GUIDE, FINGER	10	10						
8	2	1E6B30-22410	FINGER	10	10						
9	2	1E6B30-22421	BEARING,FINGER	10	10						
10	2	1E6C80-22500	SHAFT ASSY,ADJUST	1	1						
11	2	1E6B30-22530	DRIVER, FINGER	3	3						
12	2	1E6C80-22540	SHAFT,FINGER R	1	1						
13	2	1E6C80-22550	SHAFT,FINGER C	1	1						
14	2	1E6C80-22560	SHAFT,FINGER L	1	1						
15	2	1E6C40-22570	HOLDER,BB6205	2	2						
16	2	1E6B30-22600	CONNECTOR	1	1						
17	2	1E6B30-22612	BOLT, FINGER A	3	3						
18	2	1E6B30-22621	BOLT, FINGER B	1	1						
19	2	22137-060000	WASHER, 6	20	20						
20	2	22217-060000	WASHER, SPRING 6	37	37						
21	2	22217-120000	WASHER, SPRING 12	4	4						
22	2	24104-062054	BEARING, BALL 6205UU	2	2						
23	2	24550-020150	BUSH, 20X15	2	2						
24	2	26013-080162	BOLT, M8X 16	4	4						
25	2	26717-120002	NUT, M12	4	4						
26	2	26777-160002	NUT, LOCK M16	10	10						

Fig.30. ADJUST

(A)=AW70V,SX-ID
 (B)=AW82V,SX-ID
 (C)=

(D)=
 (E)=
 (F)=

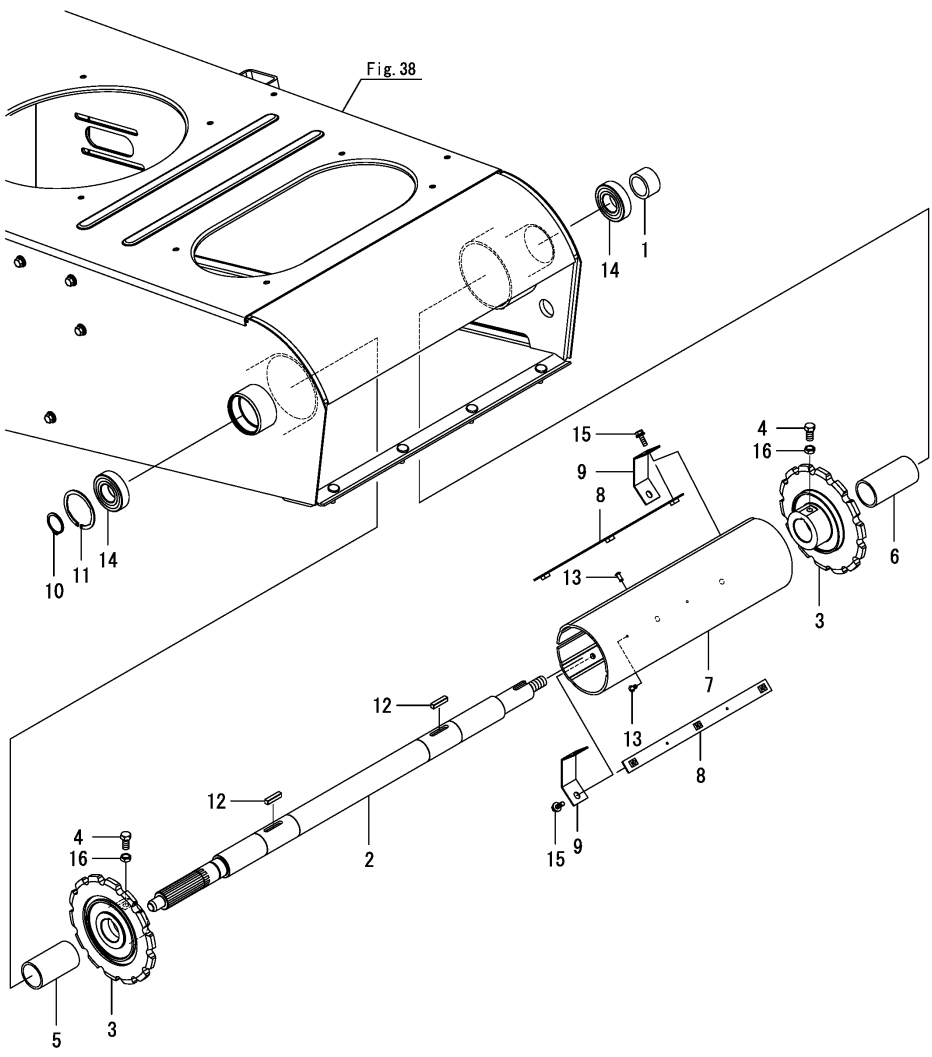


No.	Lev.	Parts No.	Description	Q'ty						I	R
				(A)	(B)	(C)	(D)	(E)	(F)		
1	1	1E6C85-21300	SHAFT,PFA TL	1	1						
2	1	1E6C80-22720	STAY,PFA SHAFT	1	1						
3	1	1E6C80-22730	HANGER,AUGER L	1	1						
4	1	1E6C80-22760	HANGER,AUGER R	1	1						
5	1	1E6C80-22800	PLATE,WINDING PREV.	2	2						
6	1	1E6B30-22850	BASE, ADJUST B	1	1						
7	1	22252-000721	RING, 72	2	2						
8	1	24104-063064	BEARING, BALL 6306UU	1	1						
9	1	26013-100252	BOLT, M10X 25	4	4						
10	1	26013-100252	BOLT, M10X 25	4	4						
11	1	26013-120302	BOLT, M12X 30	4	4						
12	1	26013-120302	BOLT, M12X 30	4	4						
13	1	26014-100302	BOLT, M10X 30	2	2						
14	1	26116-100654	BOLT, M10X 65 PLATED	1	1						
15	1	26116-100654	BOLT, M10X 65 PLATED	1	1						
16	1	26116-100654	BOLT, M10X 65 PLATED	1	1						
17	1	26717-100002	NUT, M10	2	2						
18	1	26717-100002	NUT, M10	1	1						
19	1	26717-100002	NUT, M10	2	2						

Fig.32. FEEDER HOUSE DRIVE(1ST)

(A)=AW70V,SX-ID
(B)=AW82V,SX-ID
(C)=

(D)=
(E)=
(F)=

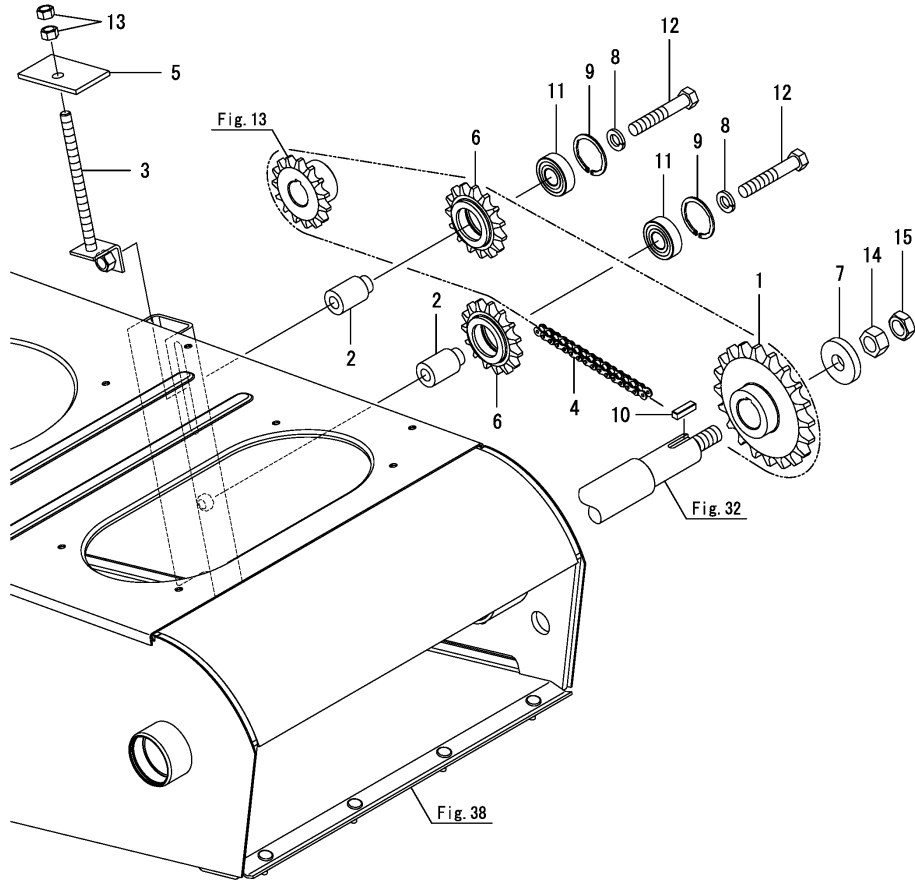


No.	Lev.	Parts No.	Description	Q'ty						I	R
				(A)	(B)	(C)	(D)	(E)	(F)		
1	1	1E6B30-26040-1	COLLAR, 32X42X24.3	1	1						
2	1	1E6B30-26102	SHAFT, FH CONVEYER	1	1						
3	1	1E6C40-26150	SPROCKET, 28T	2	2						
4	1	1E6B30-26160	BOLT,M10	2	2						
5	1	1E6B30-26170	COLLAR, FH SHAFT L	1	1						
6	1	1E6B30-26180	COLLAR, FH SHAFT R	1	1						
7	1	1E6C40-27010	COVER,FH SHAFT A	1	1						
8	1	1E6B30-27020	PLATE,FH SHAFT B	2	2						
9	1	1E6C40-27040	PLATE,FH SHAFT C	3	3						
10	1	22242-000300	RING, 30	1	1						
11	1	22252-000621	RING, 62	1	1						
12	1	22551-070300	KEY, 7X 30	2	2						
13	1	22693-320641	RIVET, 3.2X 6.4	4	4						
14	1	24104-062064	BEARING, BALL 6206UU	2	2						
15	1	26014-060202	BOLT, M6X 20	6	6						
16	1	26757-100002	NUT, LOCK M10	2	2						

Fig.33. FEEDER HOUSE DRIVE(2ND)

(A)=AW70V,SX-ID
(B)=AW82V,SX-ID
(C)=

(D)=
(E)=
(F)=



No.	Lev.	Parts No.	Description	Q'ty						I	R
				(A)	(B)	(C)	(D)	(E)	(F)		
1	1	1E6C85-26200	SPROCKET, 22T	1	1						
2	1	1E6B30-26230	BUSH, TENSION 17	2	2						
3	1	1E6B30-26240	BOLT, ADJUSTING	1	1						
4	1	1E6C40-26260	CHAIN, 50X139	1	1						
5	1	1E6B30-26280	PLATE, ADJUSTING	1	1						
6	1	1E6B30-36530	SPROCKET, 13 TENSION	2	2						
7	1	1E6B30-36560	COLLAR, (16.5X45X8	1	1						
8	1	22217-120000	WASHER, SPRING 12	2	2						
9	1	22252-000401	RING, 40	2	2						
10	1	22551-070250	KEY, 7X 25	1	1						
11	1	24104-062034	BEARING, BALL 6203UU	2	2						
12	1	26116-120702	BOLT, M12X 70 PLATED	2	2						
13	1	26717-100002	NUT, M10	2	2						
14	1	26737-160002	NUT, M16	1	1						
15	1	26777-160002	NUT, LOCK M16	1	1						

Fig.34. CHAIN COVER(FEEDER HOUSE)

(A)=AW70V,SX-ID
 (B)=AW82V,SX-ID
 (C)=

(D)=
 (E)=
 (F)=

No.	Lev.	Parts No.	Description	Q'ty						I	R
				(A)	(B)	(C)	(D)	(E)	(F)		
1	1	1E6C80-26500	COVER,FH CHAIN	1	1						
2	1	26014-080162	BOLT, M8X 16	5	5						

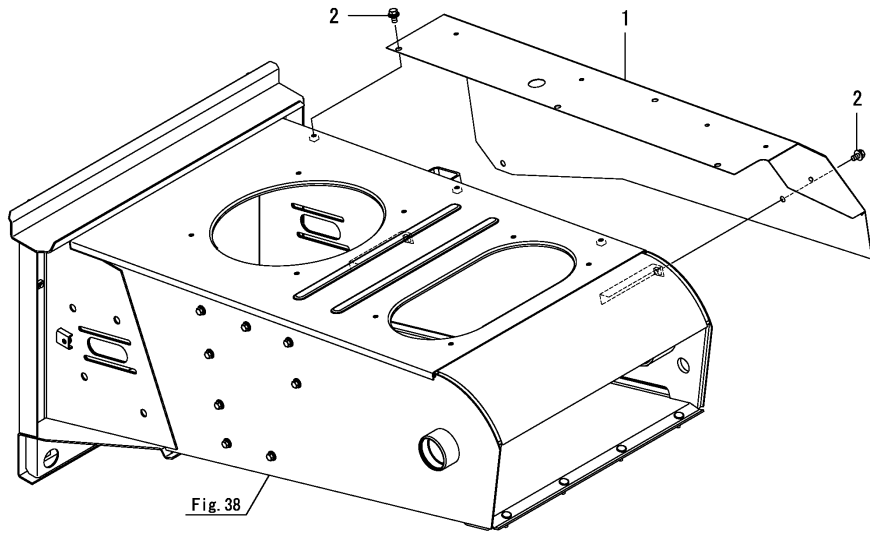


Fig. 38

Fig.35. FEEDER HOUSE DRUM

(A)=AW70V,SX-ID
 (B)=AW82V,SX-ID
 (C)=

(D)=
 (E)=
 (F)=

No.	Lev.	Parts No.	Description	Q'ty						I	R
				(A)	(B)	(C)	(D)	(E)	(F)		
1	1	1E6C80-27100	DRUM,FH	1	1						
2	1	1E6C80-27130	BRACKET,FH DRUM	2	2						
3	1	1E6C80-27200	FLANGE,FH DRUM	2	2						
4	1	1E6C40-27300	SHAFT, FH DRUM	1	1						
5	1	1E6C80-27350	BOLT,DRUM TENSION	2	2						
6	1	1E6C80-27380	FLANGE	2	2						
7	1	1E8559-75030	SPACER 5	2	2						
8	1	22137-080000	WASHER, 8	2	2						
9	1	22252-000521	RING, 52	2	2						
10	1	24104-062054	BEARING, BALL 6205UU	2	2						
11	1	26013-100302	BOLT, M10X 30	8	8						
12	1	26014-080202	BOLT, M8X 20	2	2						
13	1	26014-080252	BOLT, M8X 25	8	8						
14	1	26717-080002	NUT, M8	4	4						

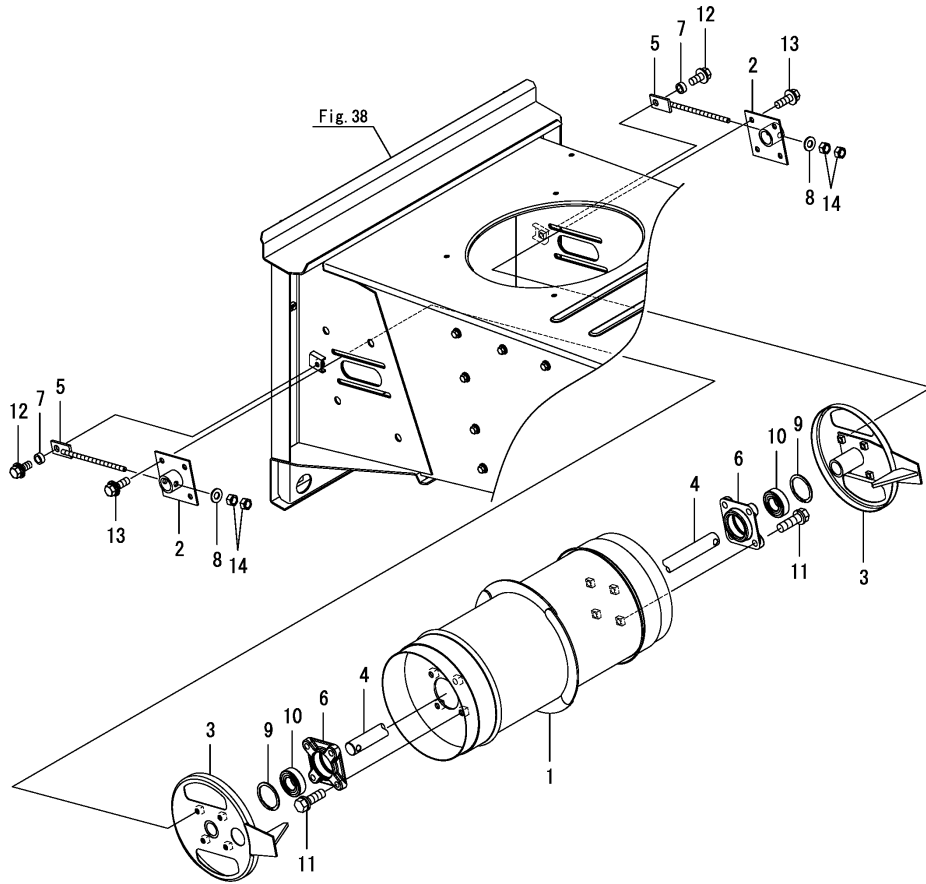


Fig.37. SHEET METAL(FEEDER HOUSE)

(A)=AW70V,SX-ID
 (B)=AW82V,SX-ID
 (C)=

(D)=
 (E)=
 (F)=

No.	Lev.	Parts No.	Description	Q'ty						I	R
				(A)	(B)	(C)	(D)	(E)	(F)		
1	1	1E6C80-27700	RUBBER,SHEET METAL	1	1						
2	1	1E6B30-27712	PLATE, SHEET METAL	1	1						
3	1	22137-080000	WASHER, 8	4	4						
4	1	22217-080000	WASHER, SPRING 8	4	4						
5	1	26717-080002	NUT, M8	4	4						

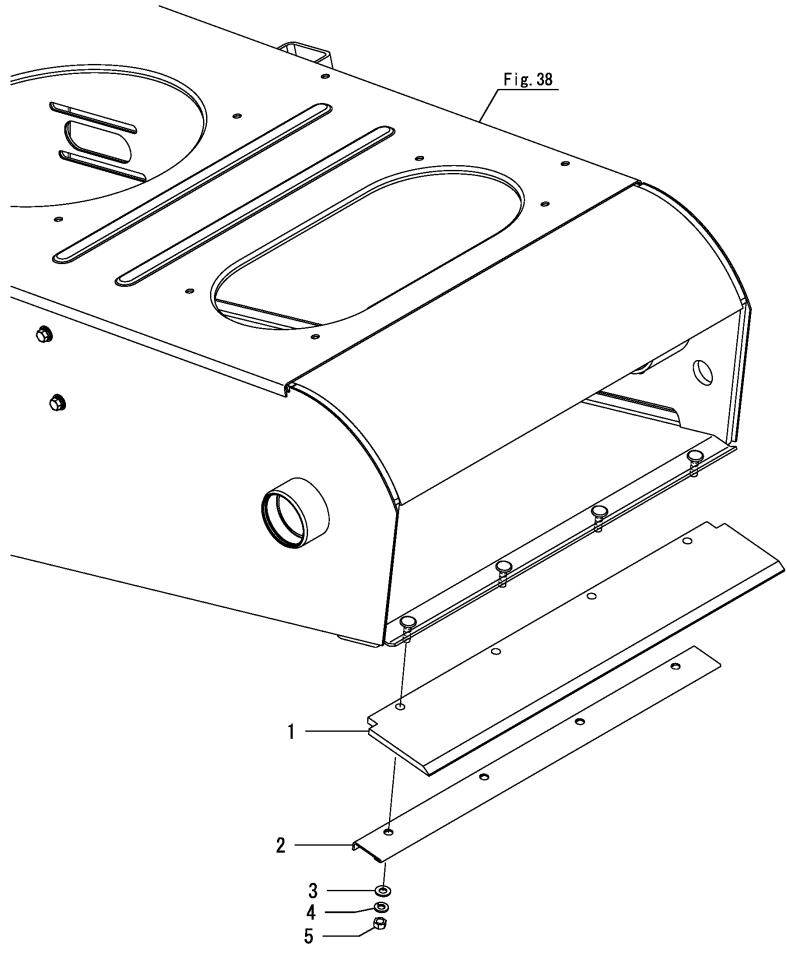
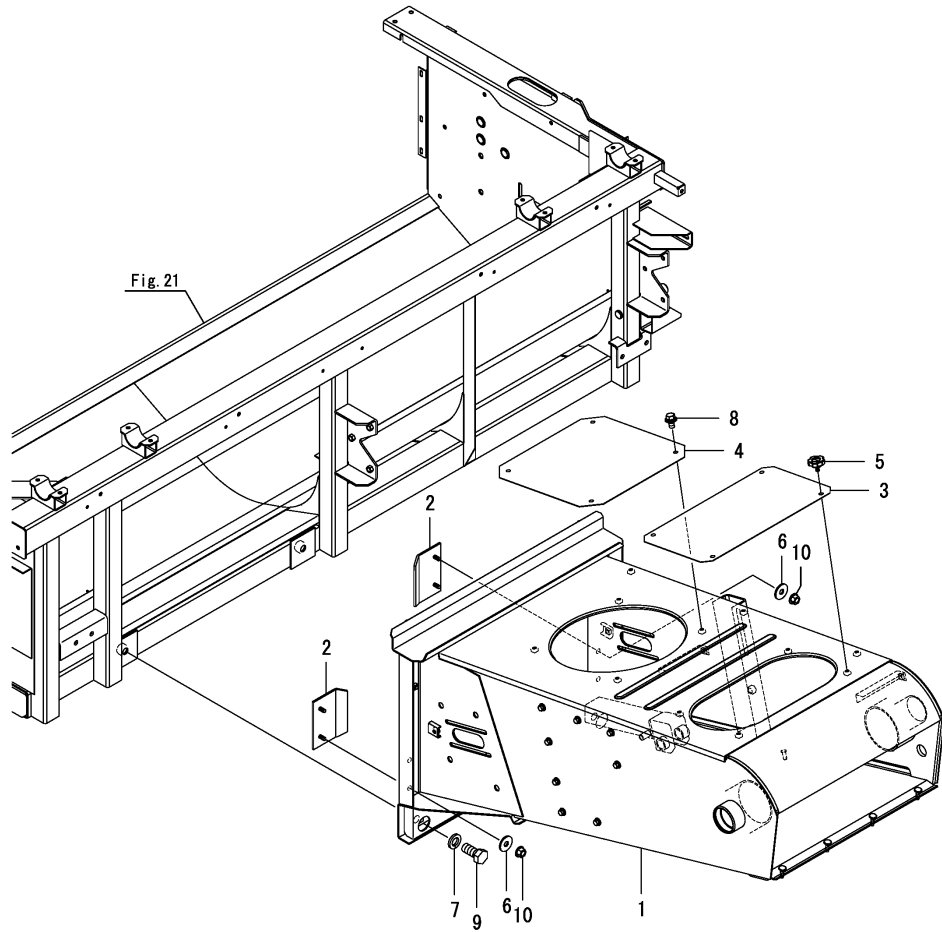


Fig.38. FEEDER HOUSE



(A)=AW70V,SX-ID
(B)=AW82V,SX-ID
(C)=

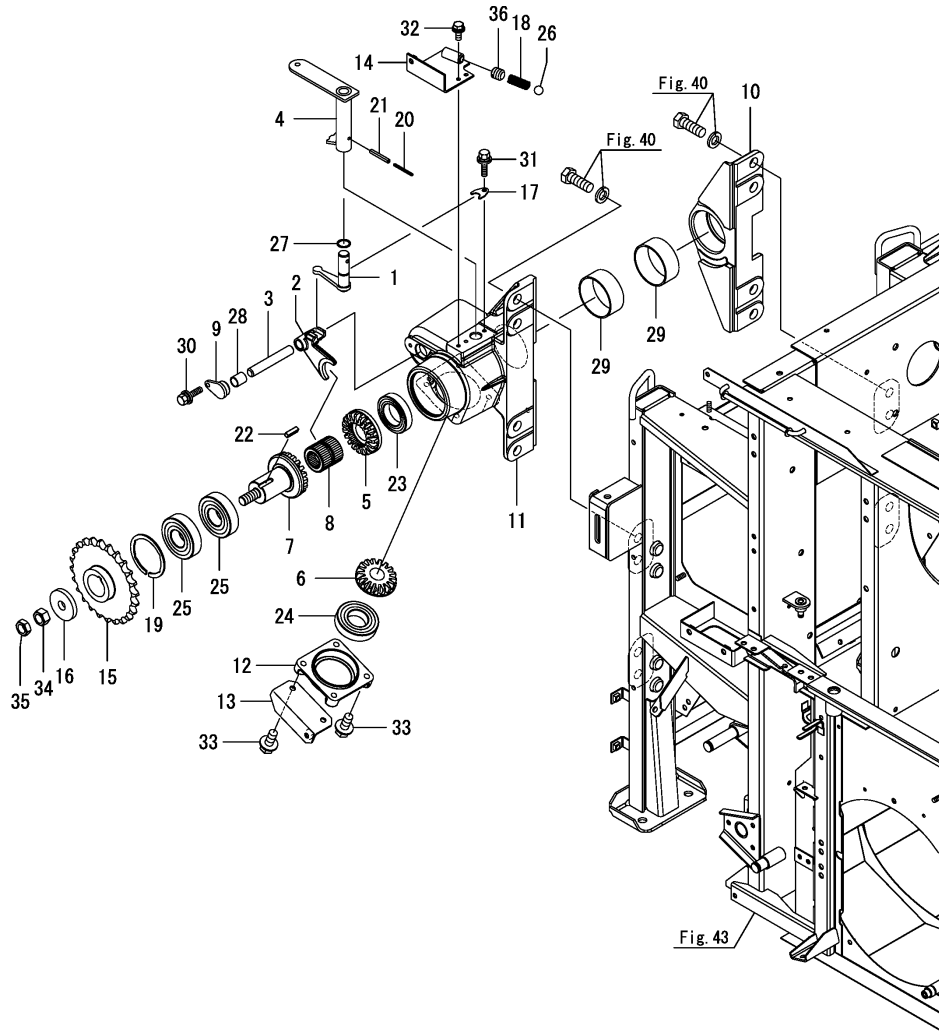
(D)=
(E)=
(F)=

No.	Lev.	Parts No.	Description	Q'ty						I	R
				(A)	(B)	(C)	(D)	(E)	(F)		
1	1	1E6C80-28001	HOUSE,FEEDER	1	1						
2	1	1E6B30-28570-2	SCRAPER, FH	2	2						
3	1	1E6B30-28690	COVER ASSY,FH UPPER	1	1						
4	1	1E6C80-28700	COVER,FH UPPER B	1	1						
5	1	1E8559-48150	BOLT M8X15,WING	4	4						
6	1	22157-080000	WASHER, 8	4	4						
7	1	22217-160000	WASHER, SPRING 16	2	2						
8	1	26014-080162	BOLT, M8X 16	4	4						
9	1	26156-160352	BOLT, M16X 35 PLATED	2	2						
10	1	26367-080002	NUT, M8	4	4						

Fig.39. FITTING(FEEDER HOUSE)(1)

(A)=AW70V,SX-ID
(B)=AW82V,SX-ID
(C)=

(D)=
(E)=
(F)=

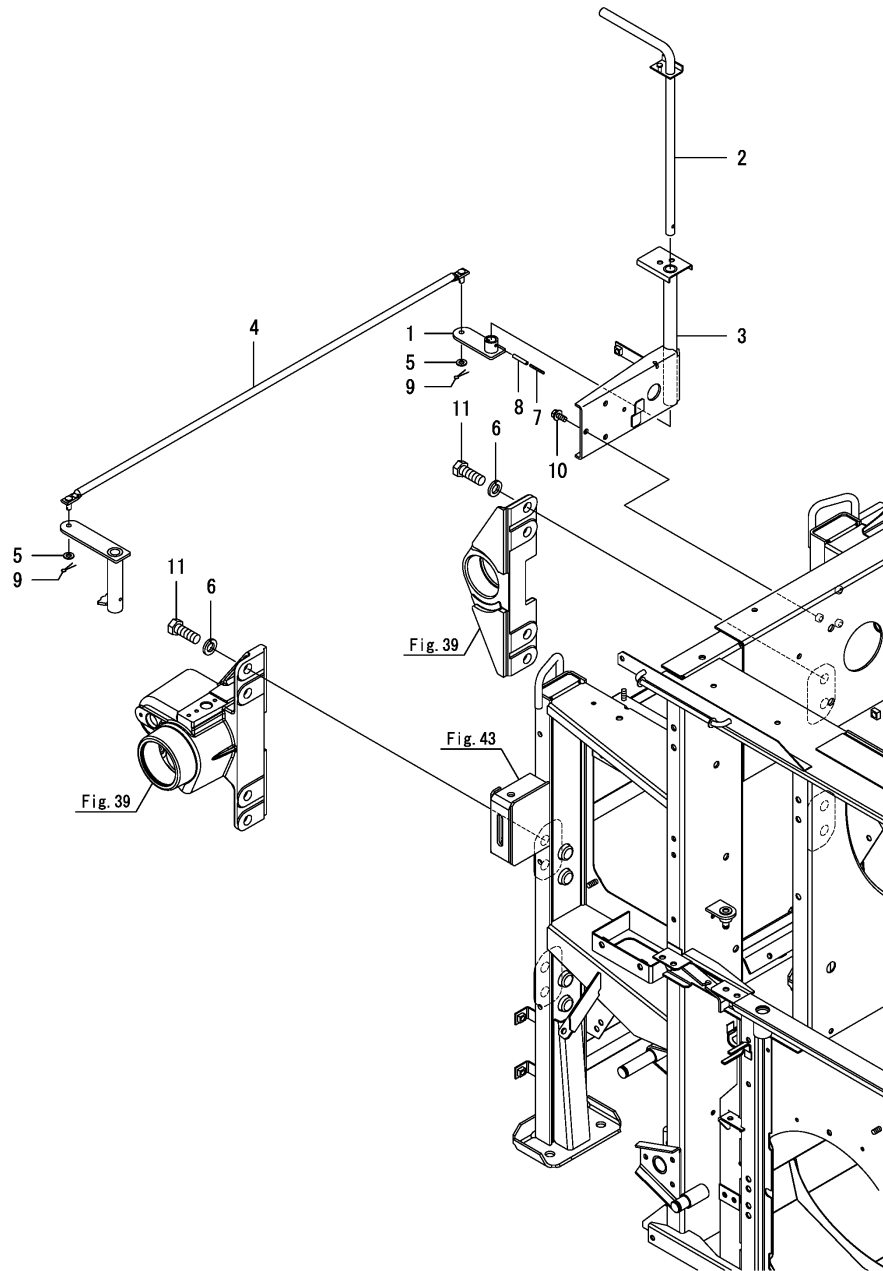


No.	Lev.	Parts No.	Description	Q'ty						I	R
				(A)	(B)	(C)	(D)	(E)	(F)		
1	1	1E6B30-26652	SHIFTER ASSY, CHANGE	1	1						
2	1	1E6B30-26680	FORK, SHIFT	1	1						
3	1	1E6B30-26690	SHAFT, 15X98	1	1						
4	1	1E6B30-26841	ARM ASSY, SWITCH B	1	1						
5	1	1E6B30-26902	GEAR, BEVEL 19	1	1						
6	1	1E6B30-26912	GEAR, BEVEL 17	1	1						
7	1	1E6B30-26924	SHAFT, INPUT	1	1						
8	1	1E6B30-26951	CLUTCH, SLIDE	1	1						
9	1	1E6B30-26960	BUSH, CLUTCH FORK	1	1						
10	1	1E6B30-28901	HOLDER, FH	1	1						
11	1	1E6B30-28911	HOLDER, FH L	1	1						
12	1	1E6B30-28960	HOLDER, BEARING	1	1						
13	1	1E6B30-28970	BRACKET, CHAIN COVER	1	1						
14	1	1E6B30-36400	STAY, COVER	1	1						
15	1	1E6C40-36580	SPROCKET, 24T	1	1						
16	1	1E6B30-36630	COLLAR, 16.5X55X8	1	1						
17	1	1E6B00-62350	STOPPER, TENS.SHAFT	1	1						
18	1	1E8559-63130	SPRING 16*9.4*25	1	1						
19	1	22252-000801	CIRCLIP 80-H	1	1						
20	1	22351-030032	PIN, SPRING 3.0X32	1	1						
21	1	22351-050032	PIN, SPRING 5.0X32	1	1						
22	1	22551-070250	KEY, 7X 25	1	1						
23	1	24104-060084	BEARING, BALL 6008UU	1	1						
24	1	24104-062074	BEARING, BALL 6207UU	1	1						
25	1	24104-062084	BEARING, BALL 6208UU	2	2						
26	1	24190-120001	BALL, STEEL 3/8	1	1						
27	1	24311-000140	O-RING, 1AP14.0	1	1						
28	1	24550-018200	BUSH, 18X20	1	1						
29	1	24550-070300	BUSH, 70X30	2	2						
30	1	26014-060162	BOLT, M6X 16	1	1						
31	1	26014-060162	BOLT, M6X 16	1	1						
32	1	26014-060162	BOLT, M6X 16	2	2						
33	1	26014-080352	BOLT, M8X 35	4	4						
34	1	26737-160002	NUT, M16	1	1						
35	1	26777-160002	NUT, LOCK M16	1	1						
36	1	26911-120122	SCREW, M12X12	1	1						

Fig.40. FITTING(FEEDER HOUSE)(2)

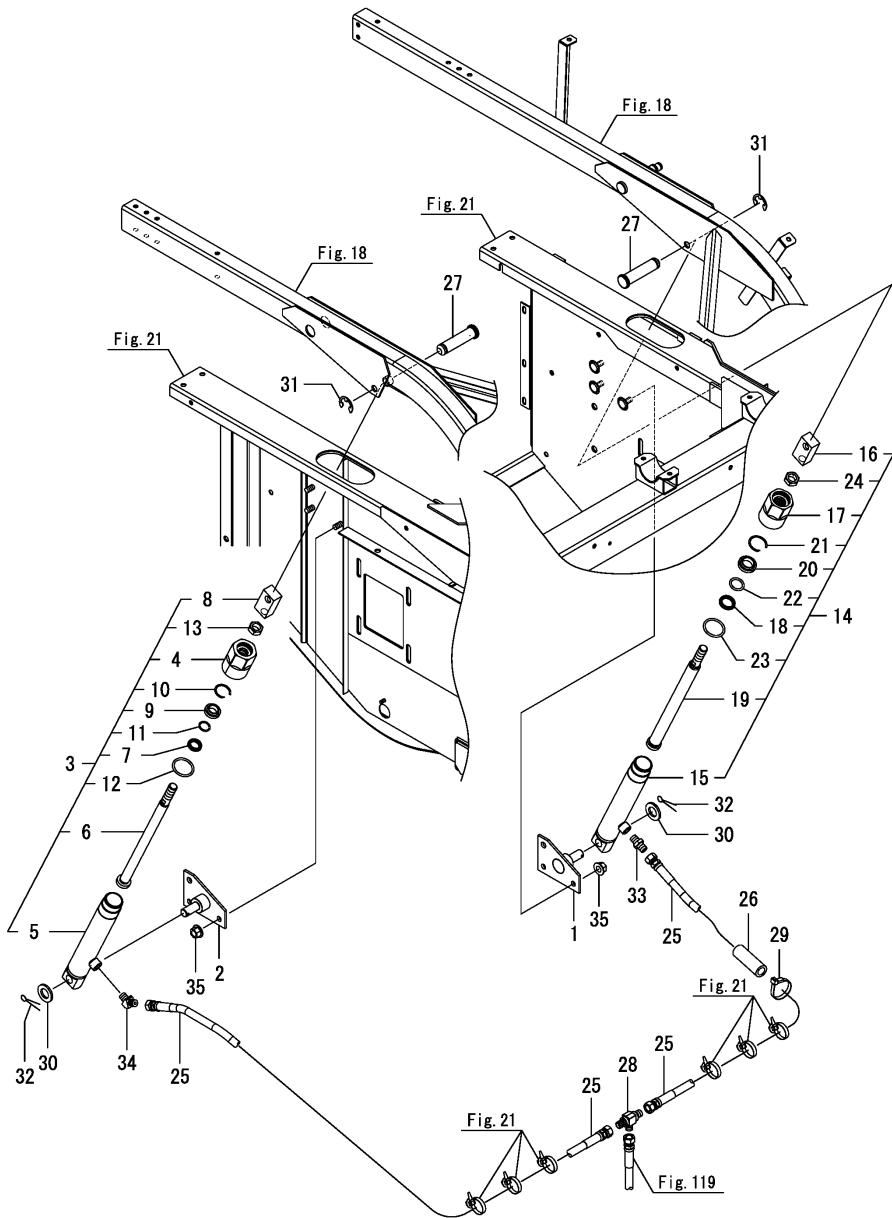
(A)=AW70V,SX-ID
 (B)=AW82V,SX-ID
 (C)=

(D)=
 (E)=
 (F)=



No.	Lev.	Parts No.	Description	Q'ty						I	R
				(A)	(B)	(C)	(D)	(E)	(F)		
1	1	1E6B30-26610	ARM ASSY, SWITCH A	1	1						
2	1	1E6B30-26703	LEVER ASSY, SWITCH	1	1						
3	1	1E6C80-26740	FULCRUM, SWITCH	1	1						
4	1	1E6B30-26821	ROD, SWITCH	1	1						
5	1	22137-080000	WASHER, 8	2	2						
6	1	22217-160000	WASHER, SPRING 16	8	8						
7	1	22351-030032	PIN, SPRING 3.0X32	1	1						
8	1	22351-050032	PIN, SPRING 5.0X32	1	1						
9	1	22417-200160	PIN, COTTER 2.0X16	2	2						
10	1	26014-080202	BOLT, M8X 20	3	3						
11	1	26156-160452	BOLT, M16X 45 PLATED	8	8						

Fig.41. PIPING(REEL)



(A)=AW70V,SX-ID
(B)=AW82V,SX-ID
(C)=

(D)=
(E)=
(F)=

No.	Lev.	Parts No.	Description	Q'ty						I	R
				(A)	(B)	(C)	(D)	(E)	(F)		
1	1	1E6C80-29100	FULCRUM,CYLINDER R	1	1						
2	1	1E6C80-29150	FULCRUM,CYLINDER L	1	1						
3	1	1E6C80-29200-1	CYLINDER,REEL LIFT L	1	1						
4	2	1E6C80-29210-1	BRACKET,ROD L	1	1						
5	2	1E6C80-29220-1	TUBE ASSY	1	1						
6	2	1E6C80-29250	ROD ASSY,CYLINDER L	1	1						
7	2	1E6B30-29280	ROD-SEAL, 18	1	1						
8	2	1E6B30-29310	ADJUSTER	1	1						
9	2	1E6470-29630	SCRAPER, SCB18	1	1						
10	2	1E6470-29640	CIRCLIP, SP18	1	1						
11	2	24311-000180	O-RING, 1AP18.0	1	1						
12	2	24311-000360	O-RING, 1AP36.0	1	1						
13	2	26777-160002	NUT, LOCK M16	1	1						
14	1	1E6C80-29400-1	CYLINDER,REEL LIFT R	1	1						
15	2	1E6C80-29220-1	TUBE ASSY	1	1						
16	2	1E6B30-29310	ADJUSTER	1	1						
17	2	1E6C80-29410-1	BRACKET,ROD R	1	1						
18	2	1E6B30-29430	ROD-SEAL, 22.4	1	1						
19	2	1E6C80-29450	ROD ASSY,CYLINDER R	1	1						
20	2	1E8270-29510	SCRAPER, SCB22.4	1	1						
21	2	1E8270-29520	RING, SNAP 22.4	1	1						
22	2	24311-000224	O-RING, 1AP22.4	1	1						
23	2	24311-000360	O-RING, 1AP36.0	1	1						
24	2	26777-160002	NUT, LOCK M16	1	1						
25	1	1E6C40-29530	HOSE,HYD. 04-1500	2	2						
26	1	1E6C40-29550	RUBBER,PROTECT 16	1	1						
27	1	1E6C80-29650	PIN, 14X52.5	2	2						
28	1	1E6C40-29680	CONNECTOR, PF1/4	1	1						
29	1	1E8559-84970	BAND 140	1	1						
30	1	22137-160000	WASHER, 16	2	2						
31	1	22272-000120	RING, E-12	2	2						
32	1	22417-400320	PIN, COTTER 4.0X32	2	2						
33	1	23391-020000	JOINT, RGI-1/4	1	1						
34	1	23394-020000	JOINT, 45RGI-1/4	1	1						
35	1	26367-100002	NUT, M10	6	6						

Fig.42. THRESH FRAME MOUNT

(A)=AW70V,SX-ID
 (B)=AW82V,SX-ID
 (C)=

(D)=
 (E)=
 (F)=

No.	Lev.	Parts No.	Description	Q'ty						I	R
				(A)	(B)	(C)	(D)	(E)	(F)		
1	1	1E6B30-31360	PLATE, 30X50	2	2						
2	1	22137-140000	WASHER, 14	7	7						
3	1	22217-140000	WASHER, SPRING 14	7	7						
4	1	26014-120302	BOLT, M12X 30	6	6						
5	1	26156-140302	BOLT, M14X 30 PLATED	7	7						

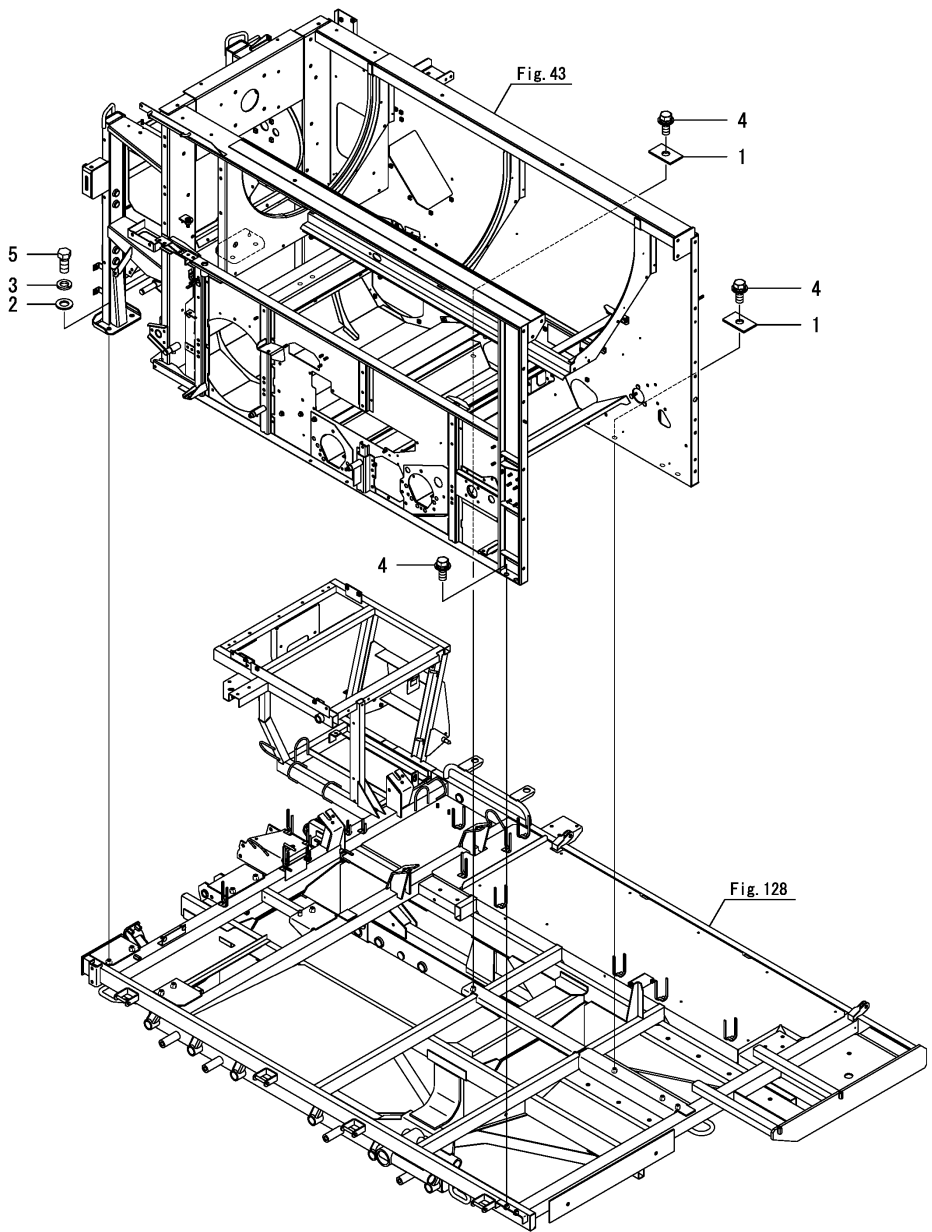
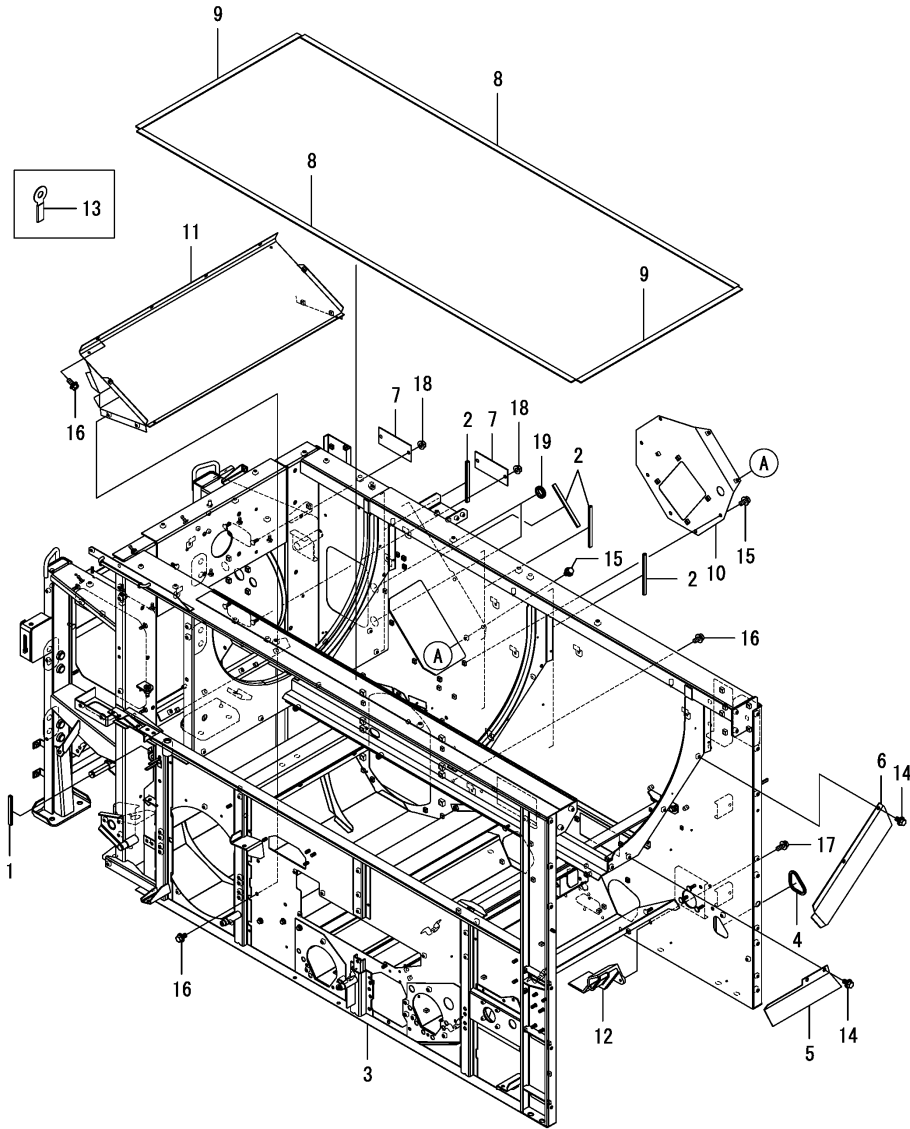


Fig.43. THRESH FRAME



(A)=AW70V,SX-ID
(B)=AW82V,SX-ID
(C)=

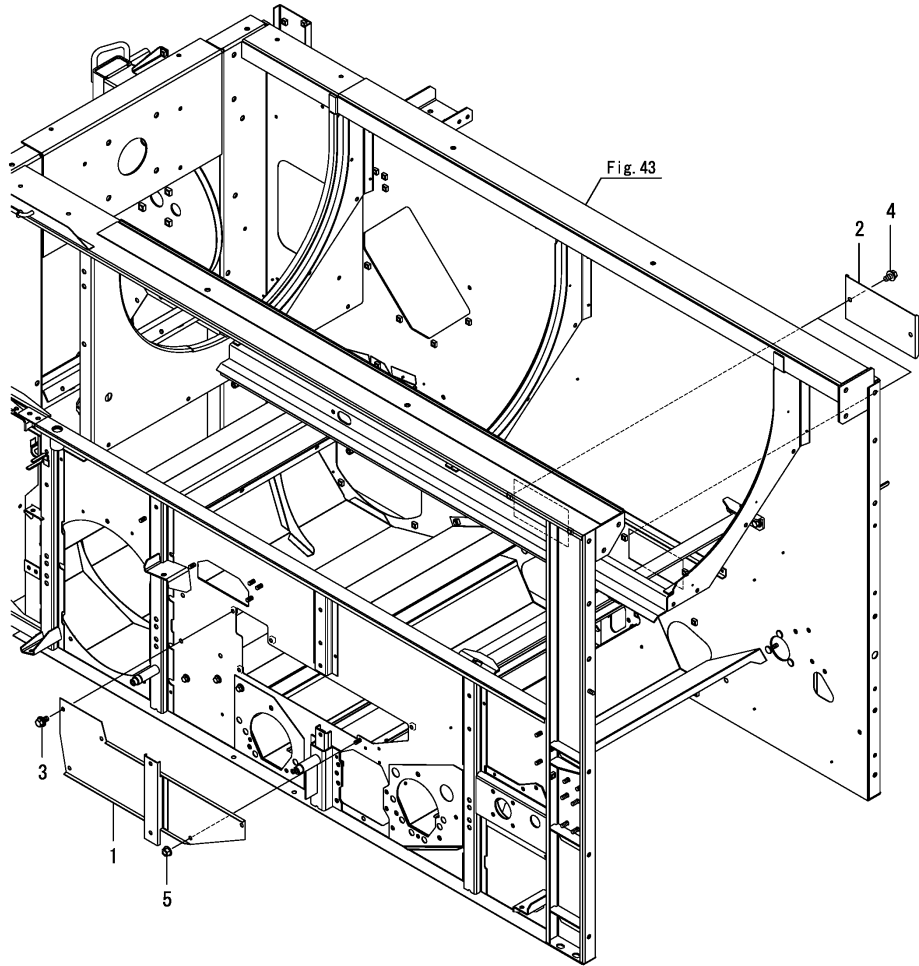
(D)=
(E)=
(F)=

No.	Lev.	Parts No.	Description	Qty						I	R
				(A)	(B)	(C)	(D)	(E)	(F)		
1	1	1E6B00-03280	MOLD,70	1	1						
2	1	1E6B30-26600	MOLD, 100	4	4						
3	1	1E6C80-31002	FRAME, THRESH	1	1						
4	1	1E6C80-31470	TRIM, 200	1	1						
5	1	1E6B35-31640	GUARD,BA	1	1						
6	1	1E6B35-31680	GUARD,BB	1	1						
7	1	1E6B30-32640	COVER, CLEANING	2	2						
8	1	1E6B30-33511	SEAL,ROTOR COVER A	2	2						
9	1	1E6B30-33521	SEAL,ROTOR COVER B	2	2						
10	1	1E6C40-33650	PLATE, PLUG	1	1						
11	1	1E6B35-44602	GUIDE,WIND UP	1	1						
12	1	1E6C80-46830	SUPPORT,2ND GUTTER B	1	1						
13	1	1J5025-47010	CLAMP 8	1	1						
14	1	26014-080162	BOLT, M8X 16	4	4						
15	1	26014-080162	BOLT, M8X 16	8	8						
16	1	26014-080162	BOLT, M8X 16	10	10						
17	1	26014-080202	BOLT, M8X 20	2	2						
18	1	26367-080002	NUT, M8	4	4						
19	1	29311-254000	GROMET, 25.0X4	2	2						

Fig.44. CLEANING COVER

(A)=AW70V,SX-ID
 (B)=AW82V,SX-ID
 (C)=

(D)=
 (E)=
 (F)=

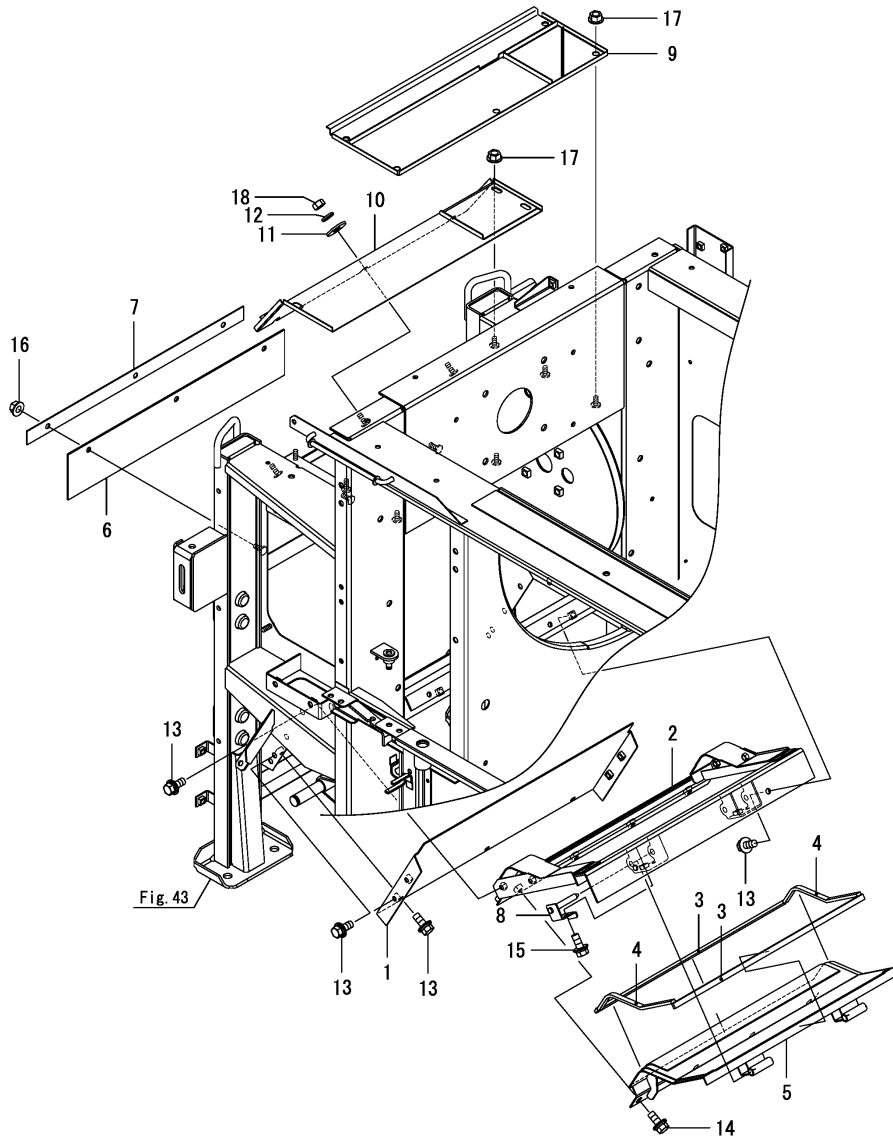


No.	Lev.	Parts No.	Description	Qty						I	R
				(A)	(B)	(C)	(D)	(E)	(F)		
1	1	1E6C80-31400	COVER, CLEANING	1	1						
2	1	1E6C80-31450	COVER, CLEANING	2	2						
3	1	26014-080162	BOLT, M8X 16	6	6						
4	1	26014-080162	BOLT, M8X 16	4	4						
5	1	26367-080002	NUT, M8	1	1						

Fig.45. PLATE(INLET)

(A)=AW70V,SX-ID
 (B)=AW82V,SX-ID
 (C)=

(D)=
 (E)=
 (F)=

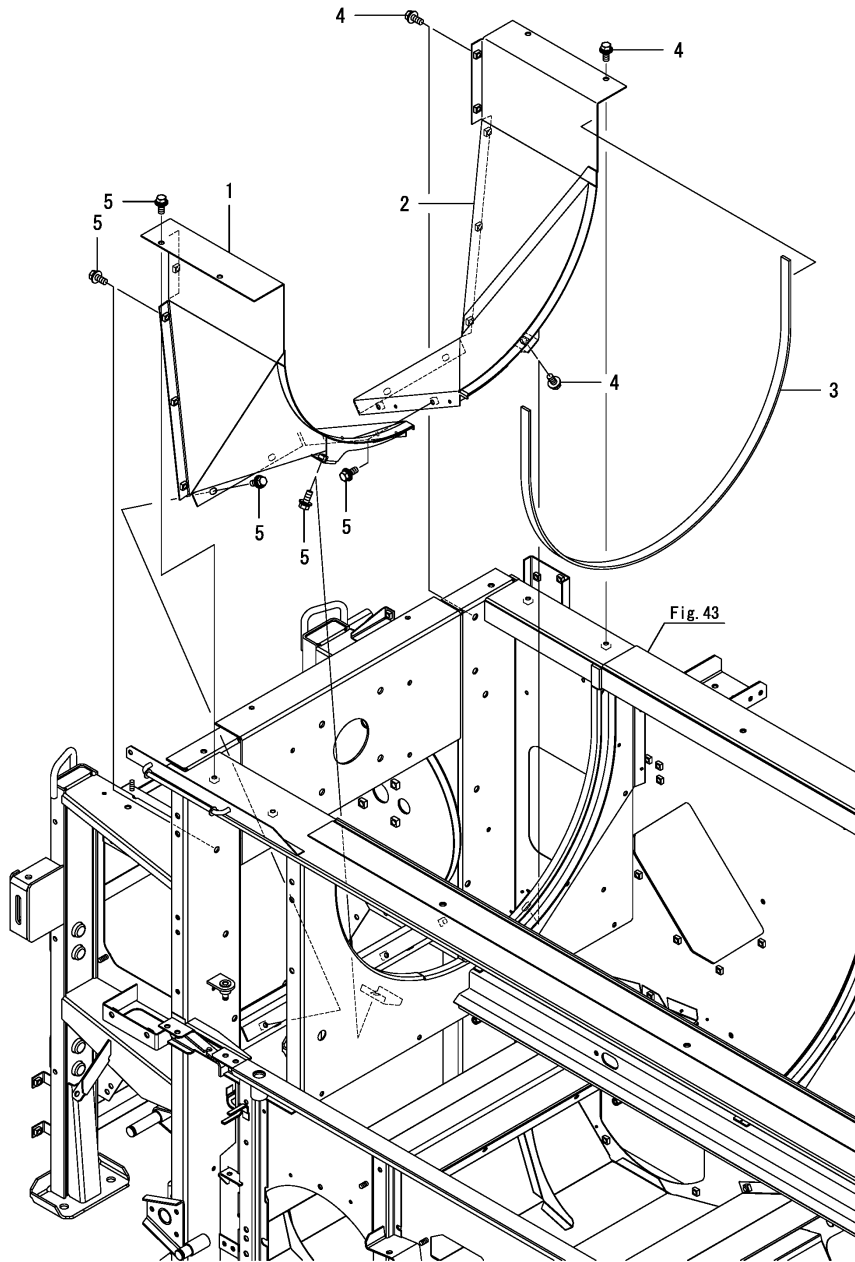


No.	Lev.	Parts No.	Description	Q'ty						I	R
				(A)	(B)	(C)	(D)	(E)	(F)		
1	1	1E6C80-32000	PLATE, INLET A	1	1						
2	1	1E6C80-32020	PLATE, INLET	1	1						
3	1	1E6C80-32180	SEAL,486X10X5	2	2						
4	1	1E6C80-32190	SEAL,225X10X5	2	2						
5	1	1E6C80-32200	COVER,INLET BOTTOM	1	1						
6	1	1E6B30-32261	SEAL,UPPER	1	1						
7	1	1E6B30-32270	RETAINER,SEAL UPPER	1	1						
8	1	1E6C80-32320	PIN,FULCRUM	2	2						
9	1	1E6C80-33750	COVER, INLET UPPER R	1	1						
10	1	1E6C80-33800	COVER, INLET UPPER F	1	1						
11	1	22157-080000	WASHER, 8	3	3						
12	1	22217-080000	WASHER, SPRING 8	3	3						
13	1	26014-080202	BOLT, M8X 20	13	13						
14	1	26014-080202	BOLT, M8X 20	4	4						
15	1	26014-080202	BOLT, M8X 20	2	2						
16	1	26367-080002	NUT, M8	3	3						
17	1	26367-080002	NUT, M8	7	7						
18	1	26717-080002	NUT, M8	3	3						

Fig.46. PLATE(FEED)

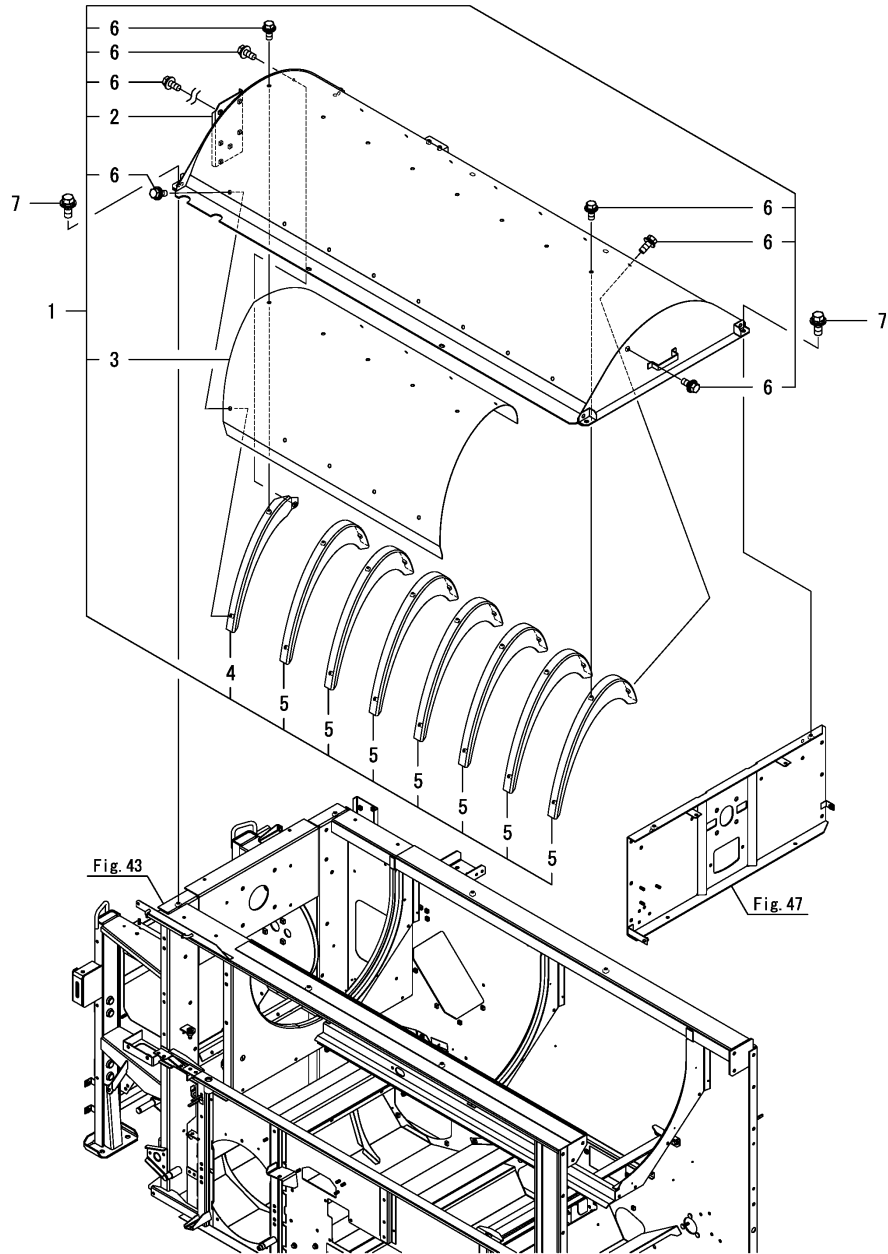
(A)=AW70V,SX-ID
 (B)=AW82V,SX-ID
 (C)=

(D)=
 (E)=
 (F)=



No.	Lev.	Parts No.	Description	Q'ty						I	R
				(A)	(B)	(C)	(D)	(E)	(F)		
1	1	1E6B30-32103	PLATE, FEED L	1	1						
2	1	1E6B30-32153	PLATE, FEED R	1	1						
3	1	1E6B30-32250	SEAL, INLET	1	1						
4	1	26014-080202	BOLT, M8X 20	10	10						
5	1	26014-080202	BOLT, M8X 20	11	11						

Fig.48. ROTOR COVER



(A)=AW70V,SX-ID
 (B)=AW82V,SX-ID
 (C)=

(D)=
 (E)=
 (F)=

No.	Lev.	Parts No.	Description	Q'ty						I	R
				(A)	(B)	(C)	(D)	(E)	(F)		
1	1	1E6C45-33502-1	COVER ASSY,ROTOR	1	1						
2	2	1E6C45-33002-1	COVER,ROTOR	1	1						
3	2	1E6B35-33110-1	SUPPORT,ROTOR COVER	1	1						
4	2	1E6B35-33130-1	PLATE, SCAVEGING A	1	1						
5	2	1E6B35-33170-1	PLATE,SCAVEING C	7	7						
6	2	26014-080202	BOLT, M8X 20	31	31						
7	1	26014-100252	BOLT, M10X 25	8	8						

Fig.49. FRAME(CONNECT)

(A)=AW70V,SX-ID
 (B)=AW82V,SX-ID
 (C)=

(D)=
 (E)=
 (F)=

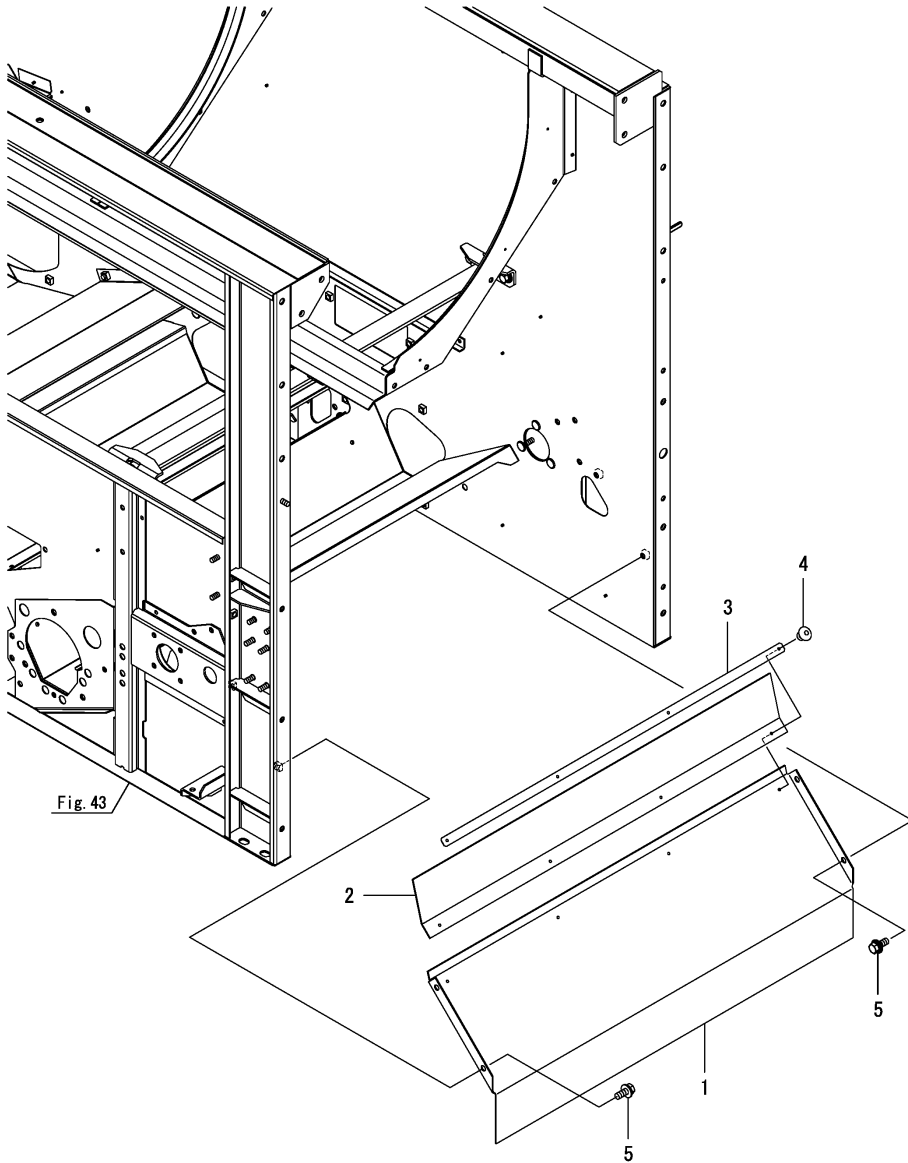
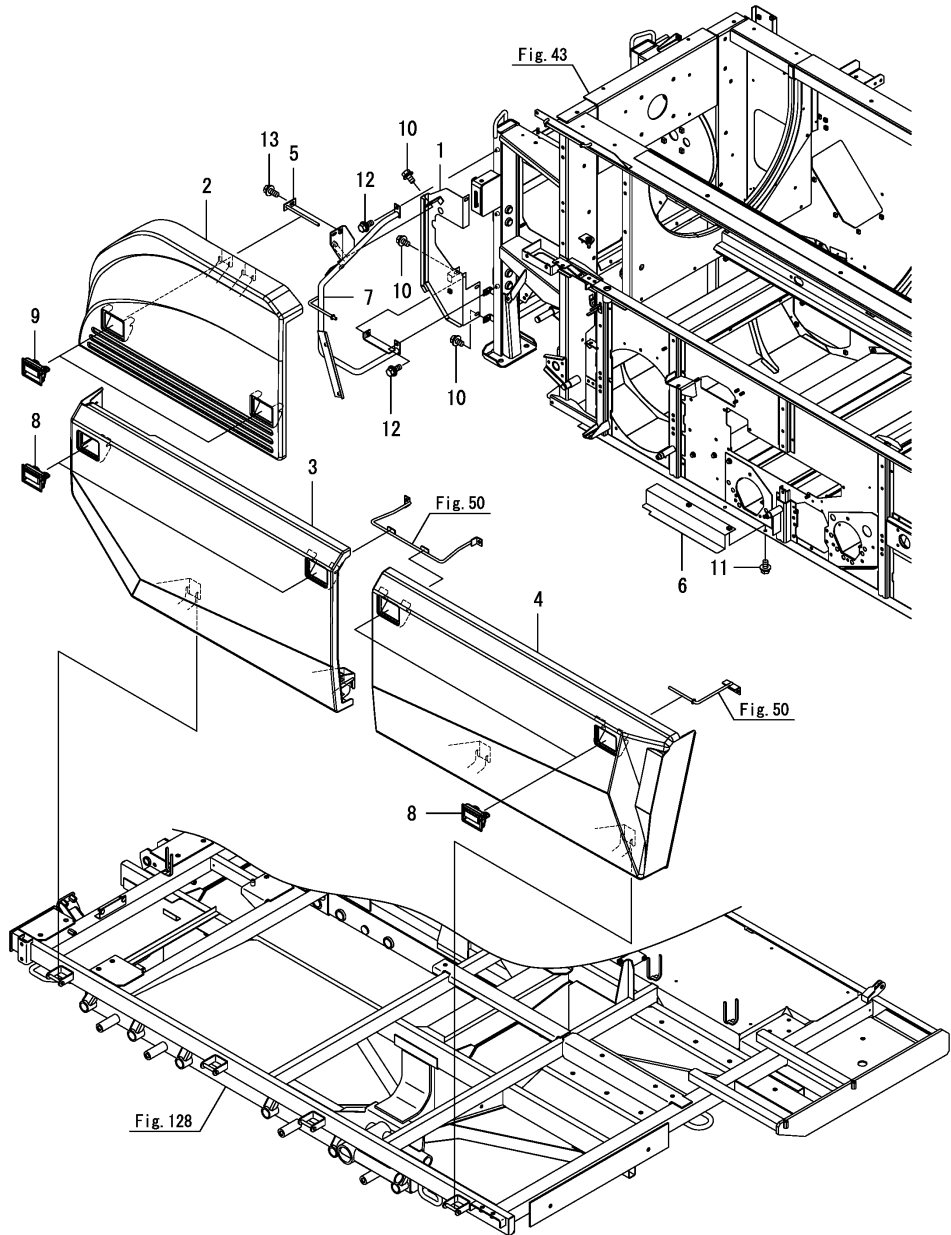


Fig. 43

No.	Lev.	Parts No.	Description	Q'ty						I	R
				(A)	(B)	(C)	(D)	(E)	(F)		
1	1	1E6C80-33930	GUTTER, STRAW DIS	1	1						
2	1	1E6C80-33940	SEAL, REAR	1	1						
3	1	1E6C80-33950	PLATE	1	1						
4	1	22697-400321	RIVET, 4.0X 3.2	4	4						
5	1	26014-080202	BOLT, M8X 20	4	4						

Fig.51. SIDE COVER



(A)=AW70V,SX-ID
(B)=AW82V,SX-ID
(C)=

(D)=
(E)=
(F)=

No.	Lev.	Parts No.	Description	Q'ty						I	R
				(A)	(B)	(C)	(D)	(E)	(F)		
1	1	1E6B30-34142-1	COVER, FH DRIVE	1	1						
2	1	1E6C80-34230	COVER, SIDE UPPER	1	1						
3	1	1E6C80-34300	COVER, SIDE FRONT	1	1						
4	1	1E6C80-34340	COVER, SIDE REAR	1	1						
5	1	1E6B30-34490	HOOK ASSY	1	1						
6	1	1E6C80-34650	COVER, PULLEY	1	1						
7	1	1E6B30-34903-1	FRAME, COVER STAY	1	1						
8	1	1E6C80-34900	HANDLE, LOCK RED	4	4						
9	1	1E6C80-34910	HANDLE, LOCK WHITE	2	2						
10	1	26014-080162	BOLT, M8X 16	5	5						
11	1	26014-080162	BOLT, M8X 16	2	2						
12	1	26014-080202	BOLT, M8X 20	2	2						
13	1	26014-080202	BOLT, M8X 20	1	1						

(A)=AW70V,SX-ID
 (B)=AW82V,SX-ID
 (C)=

(D)=
 (E)=
 (F)=

No.	Lev.	Parts No.	Description	Q'ty						I	R
				(A)	(B)	(C)	(D)	(E)	(F)		
1	1	1E6C80-34250	BASE, COVER	1	1						
2	1	1E6C80-34350	SPONGE, A	1	1						
3	1	1E6C80-34360	SPONGE, B	1	1						
4	1	1E6C80-34370	SPONGE, C	1	1						
5	1	26014-080202	BOLT, M8X 20	4	4						

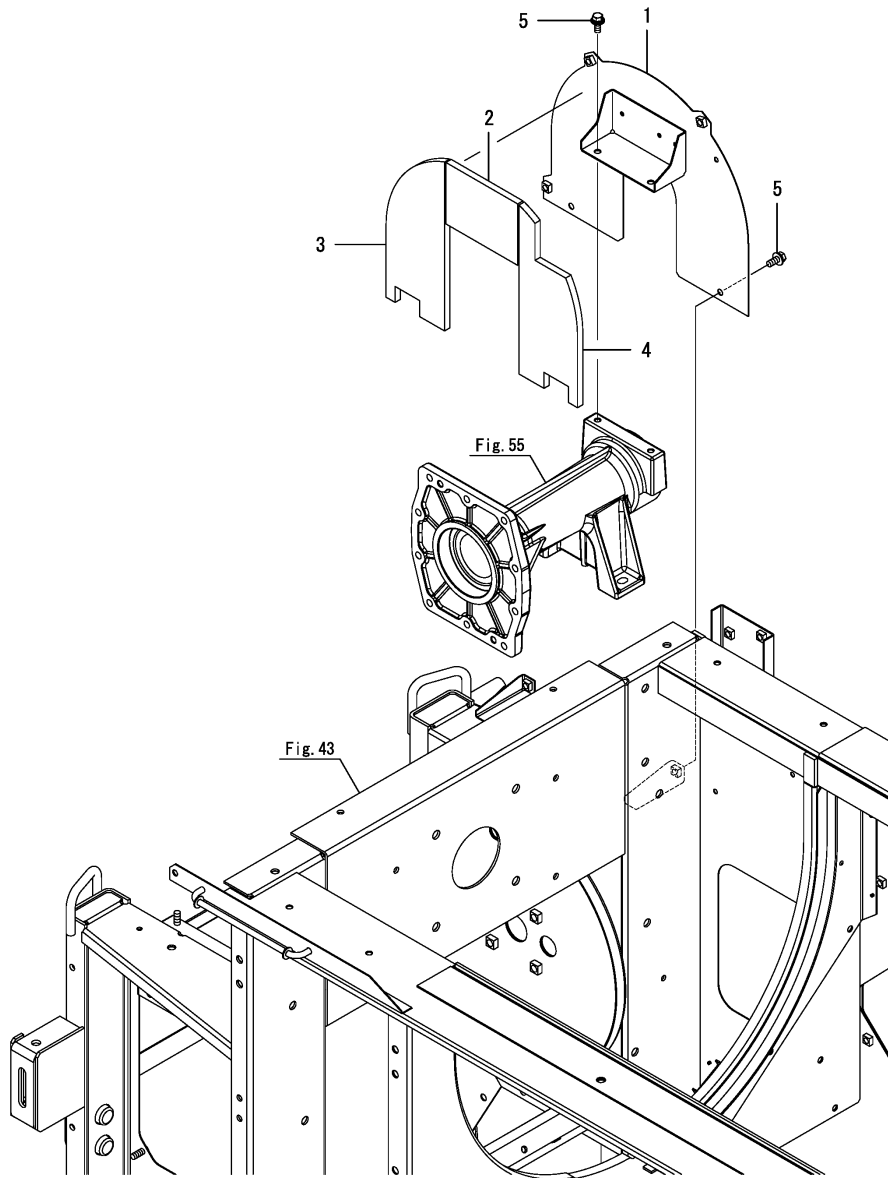


Fig.54. REAR COVER

(A)=AW70V,SX-ID
 (B)=AW82V,SX-ID
 (C)=

(D)=
 (E)=
 (F)=

No.	Lev.	Parts No.	Description	Qty						I	R
				(A)	(B)	(C)	(D)	(E)	(F)		
1	1	1E6C80-34400	COVER, REAR LOWER	1	1						
2	1	1E6C80-34450	COVER, REAR UPPER	1	1						
3	1	22157-080000	WASHER, 8	3	3						
4	1	26013-080202	BOLT, M8X 20	3	3						
5	1	26014-080202	BOLT, M8X 20	3	3						
6	1	26014-100202	BOLT, M10X 20	3	3						

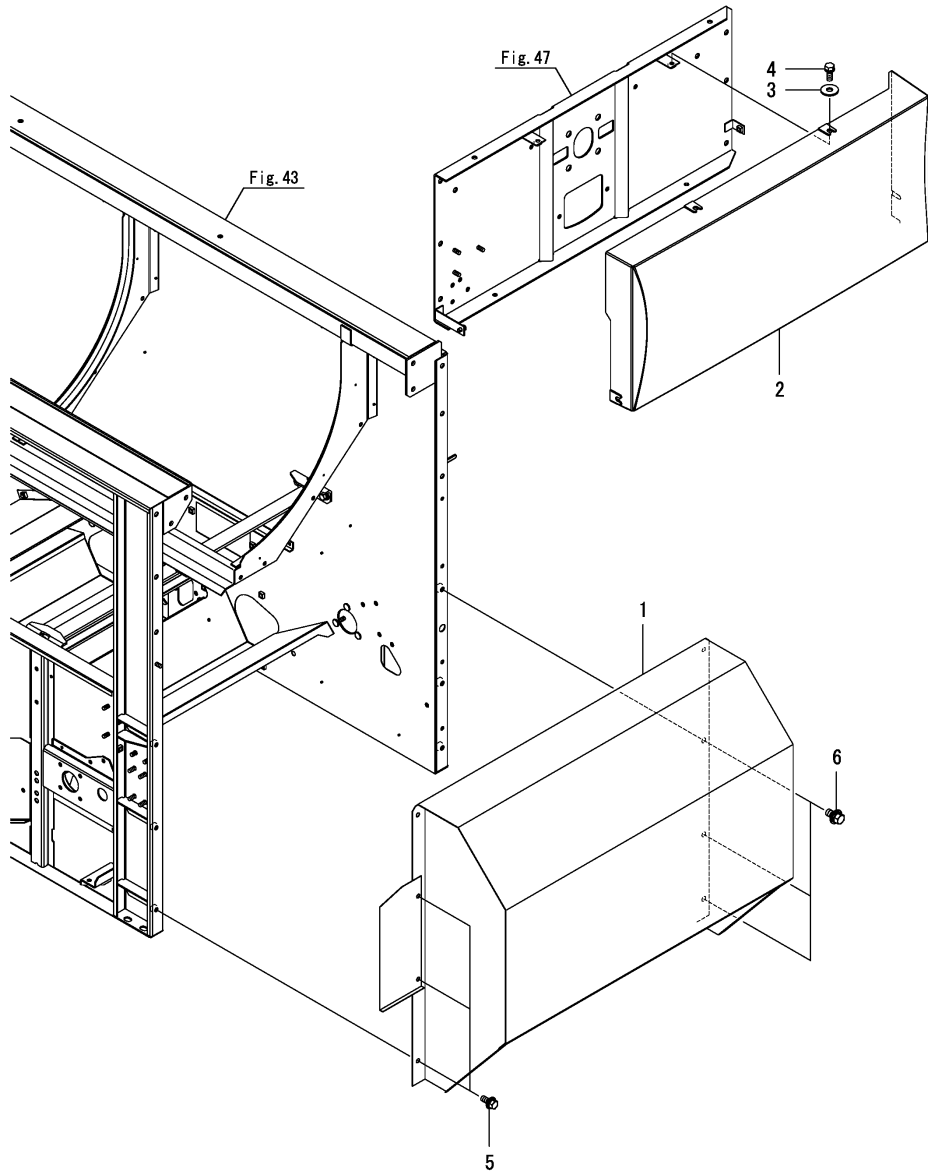
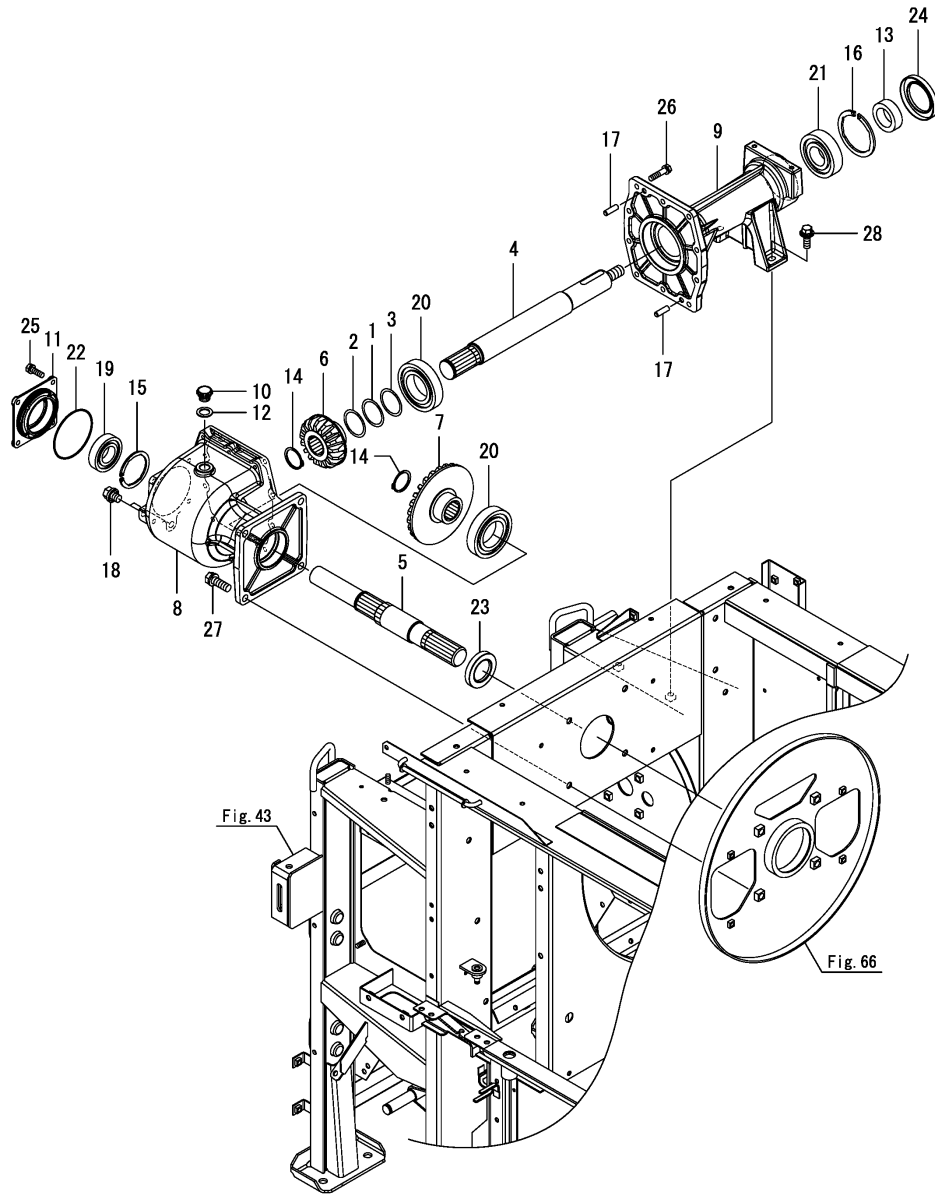


Fig.55. DRIVE CASE

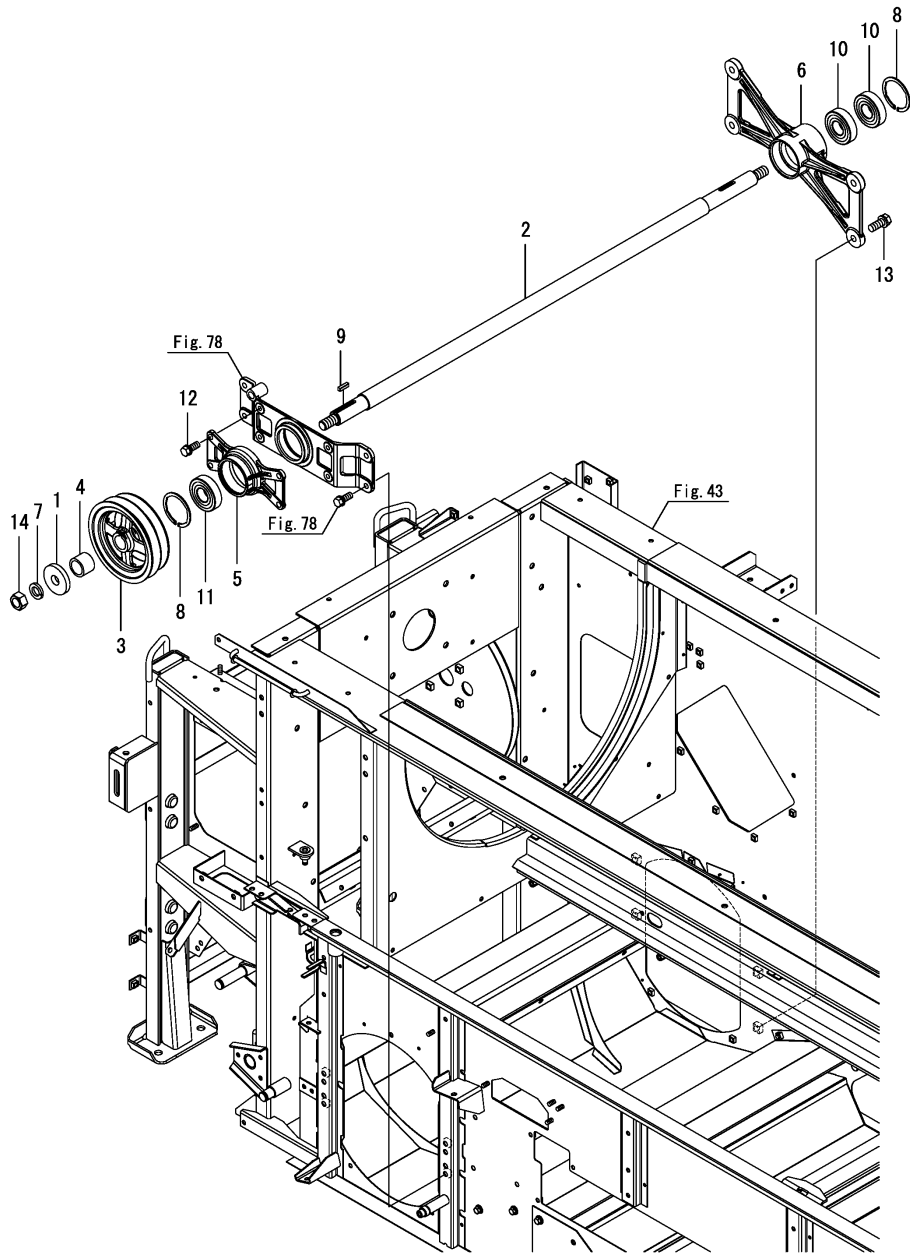


(A)=AW70V,SX-ID
(B)=AW82V,SX-ID
(C)=

(D)=
(E)=
(F)=

No.	Lev.	Parts No.	Description	Q'ty						I	R
				(A)	(B)	(C)	(D)	(E)	(F)		
1	1	1E6C80-35020	SHIM, 0.1	1	1						
2	1	1E6C80-35030	SHIM, 0.15	1	1						
3	1	1E6C80-35040	SHIM, 0.2	1	1						
4	1	1E6C80-35050	SHAFT,DRUM 1ST	1	1						
5	1	1E6C80-35060	SHAFT,DRUM 2ND	1	1						
6	1	1E6C80-35080	GEAR,BEVEL 17	1	1						
7	1	1E6C80-35090	GEAR,BEVEL 27	1	1						
8	1	1E6C80-35102	CASE, DRIVE A	1	1						
9	1	1E6C80-35111	CASE, DRIVE B	1	1						
10	1	1E6B30-35120	PLUG, OIL	1	1						
11	1	1E6C80-35120	CASE, BEARING	1	1						
12	1	1E6B30-35130	PACKING, PLUG 20	1	1						
13	1	1E6C80-35130	SLEEVE, 40X60X19	1	1						
14	1	22242-000400	RING, 40	2	2						
15	1	22252-000721	RING, 72	1	1						
16	1	22252-000901	RING, 90	1	1						
17	1	22312-080250	PIN, PARALLEL M8X25	2	2						
18	1	23490-120002	PLUG, 12	2	2						
19	1	24104-062074	BEARING, BALL 6207UU	1	1						
20	1	24104-062114	BEARING, BALL 6211UU	2	2						
21	1	24104-063084	BEARING, BALL 6308UU	1	1						
22	1	24321-000950	O-RING, 1AG95.0	1	1						
23	1	24421-457212	SEAL, OIL TC457212	1	1						
24	1	24421-609011	SEAL, TC609011	1	1						
25	1	26013-080252	BOLT, M8X 25	4	4						
26	1	26013-080352	BOLT, M8X 35	10	10						
27	1	26013-120352	BOLT, M12X 35	4	4						
28	1	26014-100302	BOLT, M10X 30	2	2						

Fig.56. INPUT SHAFT

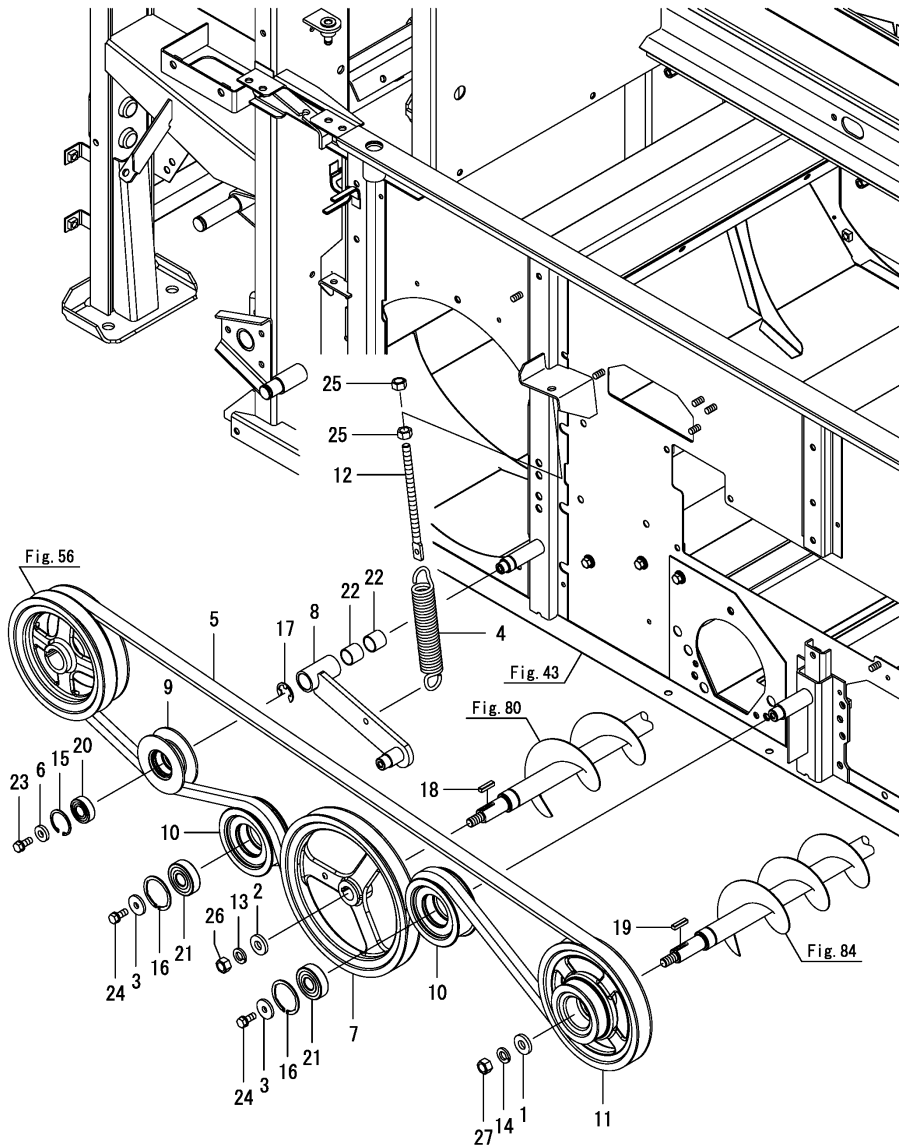


(A)=AW70V,SX-ID
 (B)=AW82V,SX-ID
 (C)=

(D)=
 (E)=
 (F)=

No.	Lev.	Parts No.	Description	Q'ty						I	R
				(A)	(B)	(C)	(D)	(E)	(F)		
1	1	1E6B30-35100	COLLAR, 21X64X10	1	1						
2	1	1E6C80-35211	SHAFT, INPUT	1	1						
3	1	1E6C80-35220	V-PULLEY, 170C-178C	1	1						
4	1	1E6C80-36030	COLLAR, 30.5X40X30	1	1						
5	1	1E6C80-44320	METAL, WINNOWER LB	1	1						
6	1	1E6C80-44350	METAL, WINNOWER R	1	1						
7	1	22217-200000	WASHER, SPRING 20	1	1						
8	1	22252-000721	RING, 72	2	2						
9	1	22550-070250	KEY 7X25	1	1						
10	1	24104-063064	BEARING, BALL 6306UU	2	2						
11	1	24104-063064	BEARING, BALL 6306UU	1	1						
12	1	26013-100252	BOLT, M10X 25	4	4						
13	1	26013-120302	BOLT, M12X 30	4	4						
14	1	26737-200002	NUT, M20	1	1						

Fig.57. BELT(1ST & 2ND)

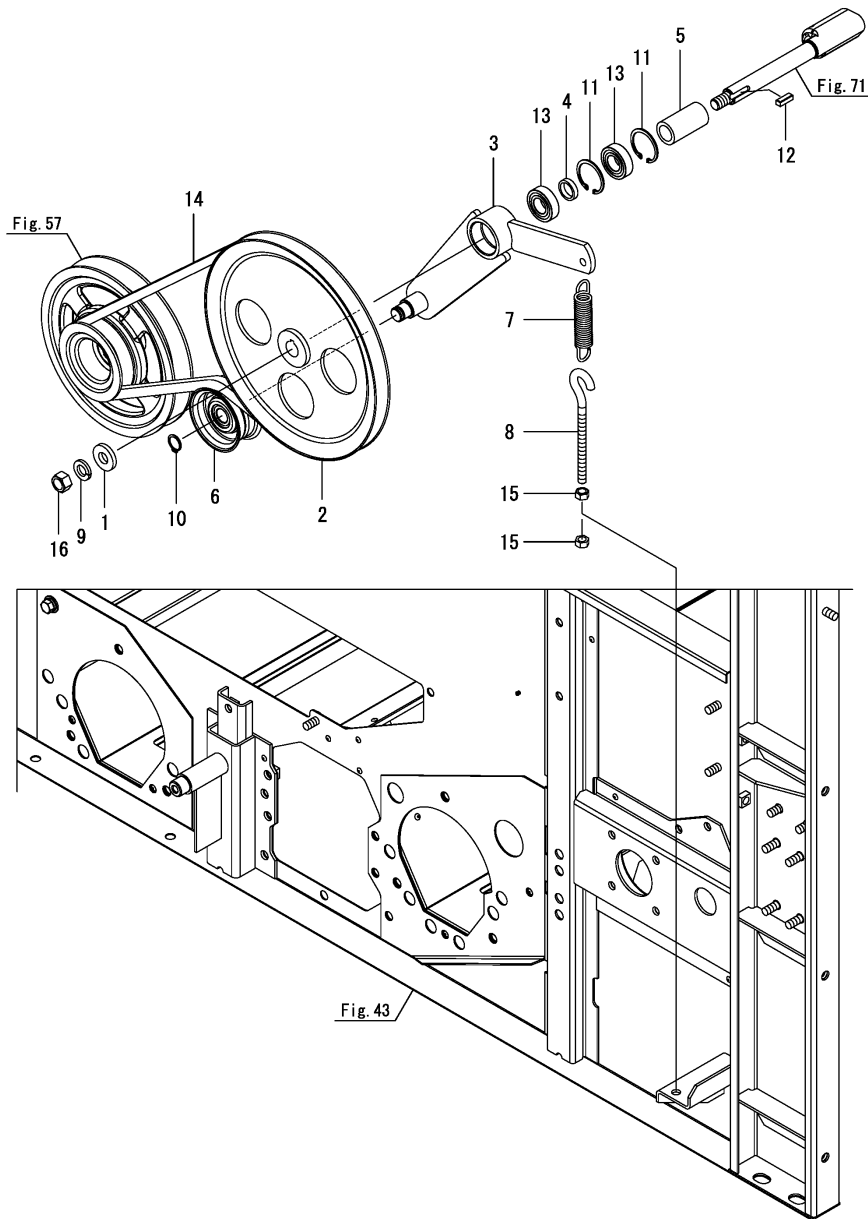


(A)=AW70V,SX-ID
 (B)=AW82V,SX-ID
 (C)=

(D)=
 (E)=
 (F)=

No.	Lev.	Parts No.	Description	Qty						I	R
				(A)	(B)	(C)	(D)	(E)	(F)		
1	1	1E8559-12500	WASHER 12X28X4.5	1	1						
2	1	1E8559-12500	WASHER 12X28X4.5	1	1						
3	1	1E8559-22220	WASHER 8.5X28X3.2	2	2						
4	1	1E6B30-35230	SPRING,25X176	1	1						
5	1	1E6B30-35290	V-BELT, LC109-AG6	1	1						
6	1	1E8559-35290	COLLAR 9.5*22*4.5	1	1						
7	1	1E6C80-35300	V-PULLEY, 236 C1	1	1						
8	1	1E6C80-35310	ARM, TENSION 170	1	1						
9	1	1E8559-35310-1	PULLEY 85C	1	1						
10	1	1E6B30-35350	ROLLER,TENSION 90	2	2						
11	1	1E6C80-35400	V-PULLEY, 186C-86B	1	1						
12	1	1E6B30-35620	BOLT,TENSION 10X163	1	1						
13	1	22217-120000	WASHER, SPRING 12	1	1						
14	1	22217-120000	WASHER, SPRING 12	1	1						
15	1	22252-000350	RING, 35	1	1						
16	1	22252-000471	RING, 47	2	2						
17	1	22272-000150	RING, E-15	1	1						
18	1	22551-050200	KEY, 5X 20	1	1						
19	1	22551-050200	KEY, 5X 20	1	1						
20	1	24104-062024	BEARING, BALL 6202UU	1	1						
21	1	24104-063034	BEARING, BALL 6303UU	2	2						
22	1	24550-020200	BUSH, 20X20	2	2						
23	1	26013-080202	BOLT, M8X 20	1	1						
24	1	26013-080202	BOLT, M8X 20	2	2						
25	1	26717-100002	NUT, M10	2	2						
26	1	26737-120002	NUT, M12	1	1						
27	1	26737-120002	NUT, M12	1	1						

Fig.58. SWING BELT



(A)=AW70V,SX-ID
(B)=AW82V,SX-ID
(C)=

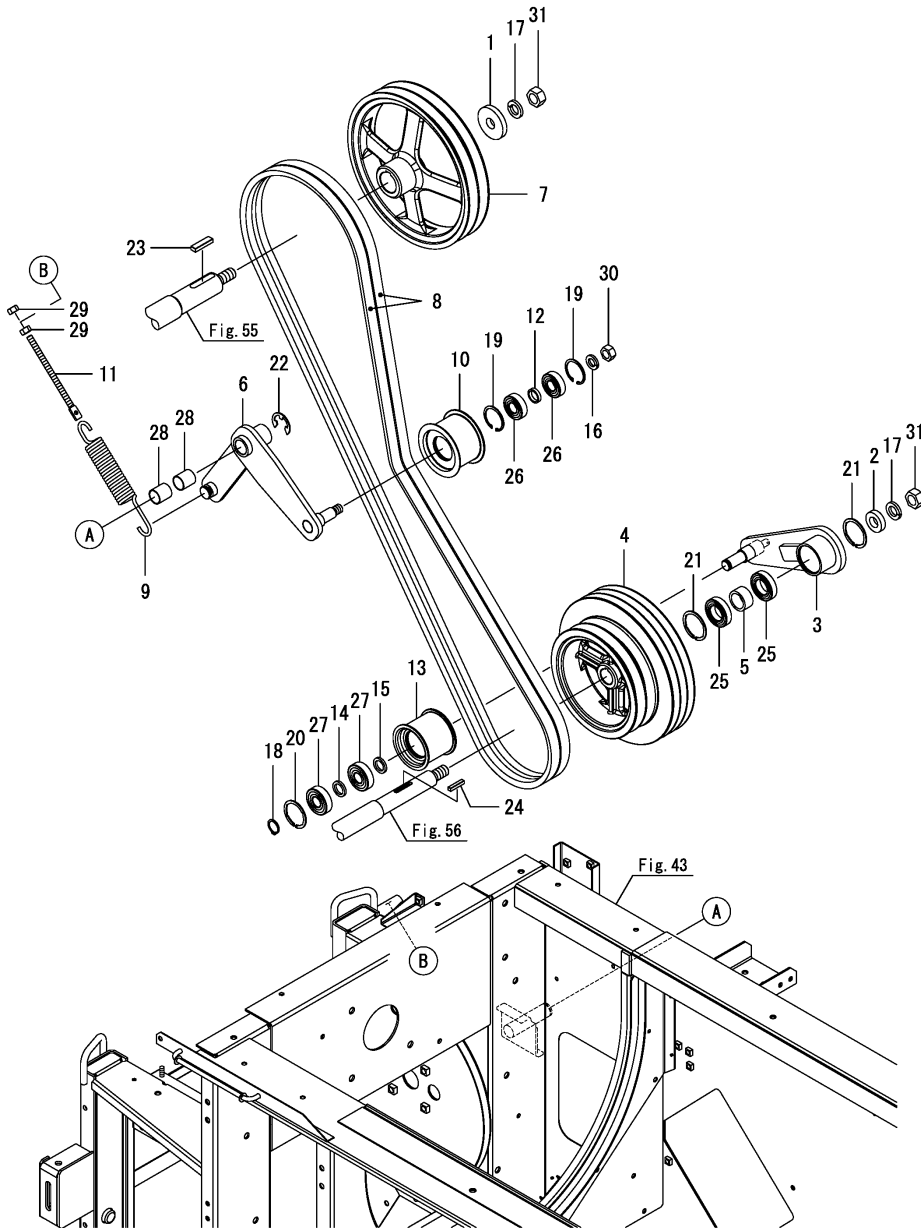
(D)=
(E)=
(F)=

No.	Lev.	Parts No.	Description	Q'ty						I	R
				(A)	(B)	(C)	(D)	(E)	(F)		
1	1	1E8559-12500	WASHER 12X28X4.5	1	1						
2	1	1E6B30-35411	V-PULLEY, 240 B1	1	1						
3	1	1E6B30-35451	ARM, TENTION 167	1	1						
4	1	1E6B30-35720	COLLAR, 17.2X22X5	1	1						
5	1	1E6C80-35740	COLLAR, 17.2X25X48	1	1						
6	1	1E6B30-35760	ROLLER, TENSION 60	1	1						
7	1	1E6B30-35780	SPRING, 2.6X15X92	1	1						
8	1	1E6B30-35800	ROD, TENSION	1	1						
9	1	22217-120000	WASHER, SPRING 12	1	1						
10	1	22242-000150	RING, 15	1	1						
11	1	22252-000350	RING, 35	2	2						
12	1	22551-050150	KEY, 5X 15	1	1						
13	1	24104-060034	BEARING, BALL 6003UU	2	2						
14	1	25123-004602	V-BELT, B46H	1	1						
15	1	26717-080002	NUT, M8	2	2						
16	1	26737-120002	NUT, M12	1	1						

Fig.59. ROTOR DRIVE BELT

(A)=AW70V,SX-ID
 (B)=AW82V,SX-ID
 (C)=

(D)=
 (E)=
 (F)=

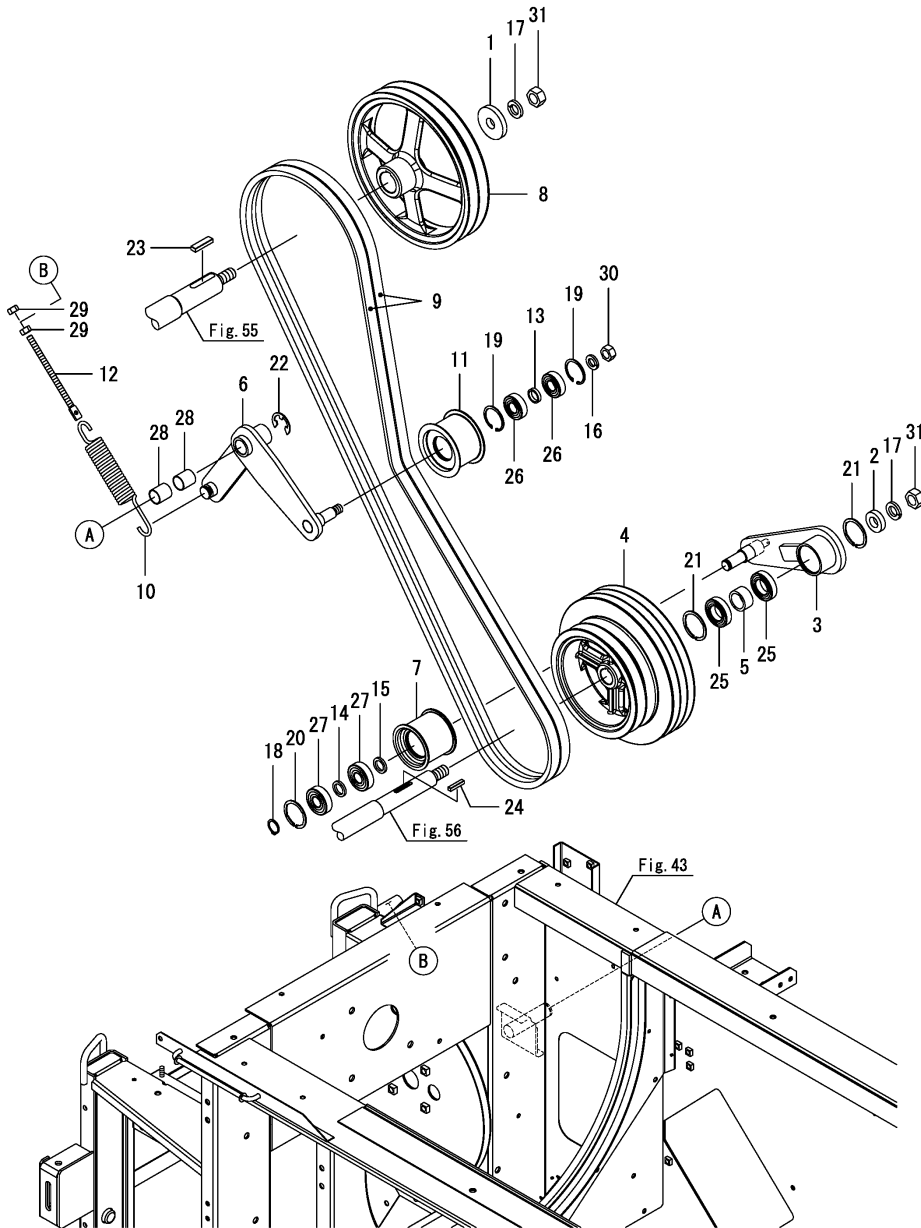


No.	Lev.	Parts No.	Description	Qty						I	R
				(A)	(B)	(C)	(D)	(E)	(F)		
1	1	1E6B30-35100	COLLAR, 21X64X10	1							
2	1	1E6C80-35140	COLLAR, 21X40X10	1							
3	1	1E6C80-35151	ARM, THRESHING CLUTCH	1							
4	1	1E6C85-35200	V-PULLEY, 218C-289B	1							
5	1	1E6C80-35230	COLLAR, 30.5X40X20	1							
6	1	1E6C80-35250	ARM, TENSION 190	1							
7	1	1E6C80-35500	V-PULLEY, 310 C2	1							
8	1	1E6C80-35510	V-BELT, LC109-AG8	2							
9	1	1E6B30-35580	SPRING, 30X230	1							
10	1	1E6B30-35600	ROLLER, TENSION 90X58	1							
11	1	1E6B30-35620	BOLT, TENSION 10X163	1							
12	1	1E6B30-35640	COLLAR, 21.6X27.2X6	1							
13	1	1E6681-51082-1	PULLEY, TENSION 90	1							
14	1	1E8559-73280	COLLAR 21*30*4	1							
15	1	1E8559-73280	COLLAR 21*30*4	1							
16	1	22217-160000	WASHER, SPRING 16	1							
17	1	22217-200000	WASHER, SPRING 20	2							
18	1	22242-000200	RING, 20	1							
19	1	22252-000470	RING, 47	2							
20	1	22252-000521	RING, 52	1							
21	1	22252-000551	RING, 55	2							
22	1	22272-000190	RING, E-19	1							
23	1	22550-120450	KEY, 12 X 45	1							
24	1	22551-070350	KEY, 7X 35	1							
25	1	24104-060064	BEARING, BALL 6006UU	2							
26	1	24104-062044	BEARING, BALL 6204UU	2							
27	1	24104-063044	BEARING, BALL 6304UU	2							
28	1	24550-025300	BUSH, 25X30	2							
29	1	26717-100002	NUT, M10	2							
30	1	26737-160002	NUT, M16	1							
31	1	26737-200002	NUT, M20	2							

Fig.60. ROTOR DRIVE BELT

(A)=AW70V,SX-ID
(B)=AW82V,SX-ID
(C)=

(D)=
(E)=
(F)=

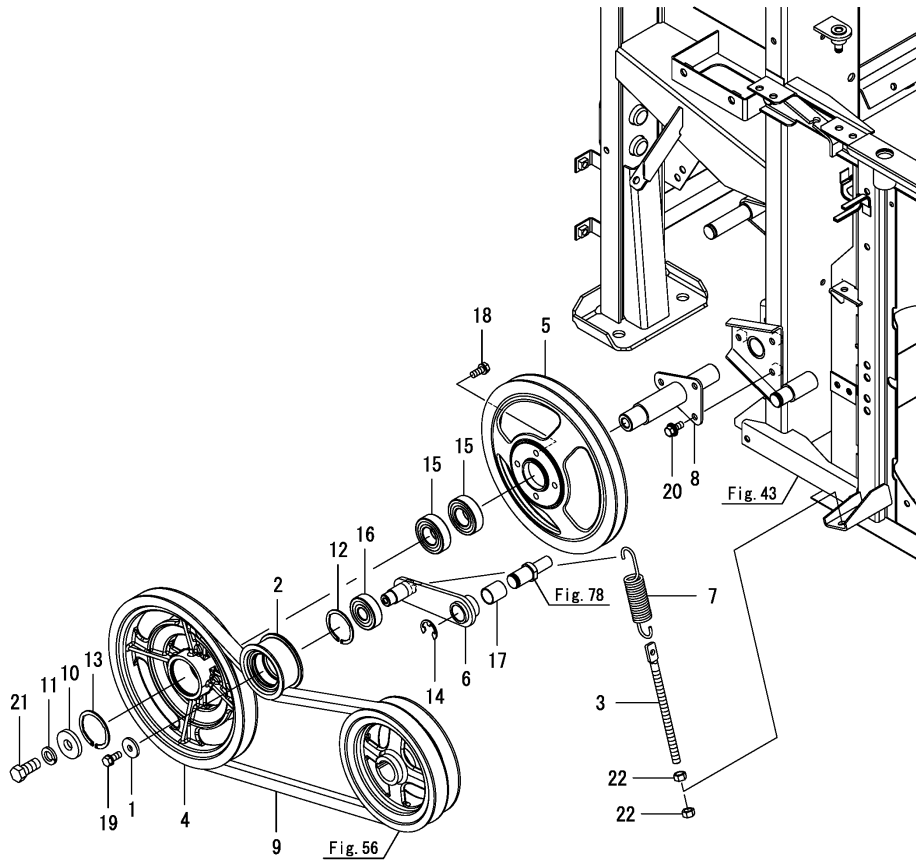


No.	Lev.	Parts No.	Description	Q'ty						I	R
				(A)	(B)	(C)	(D)	(E)	(F)		
1	1	1E6B30-35100	COLLAR, 21X64X10		1						
2	1	1E6C80-35140	COLLAR, 21X40X10		1						
3	1	1E6C80-35151	ARM, THRESHING CLUTCH		1						
4	1	1E6C80-35200	V-PULLEY, 218B-292C		1						
5	1	1E6C80-35230	COLLAR, 30.5X40X20		1						
6	1	1E6C80-35250	ARM, TENSION 190		1						
7	1	1E6C80-35330	ROLLER, TENSION 80		1						
8	1	1E6C80-35500	V-PULLEY, 310 C2		1						
9	1	1E6C80-35510	V-BELT, LC109-AG8		2						
10	1	1E6B30-35580	SPRING, 30X230		1						
11	1	1E6B30-35600	ROLLER, TENSION 90X58		1						
12	1	1E6B30-35620	BOLT, TENSION 10X163		1						
13	1	1E6B30-35640	COLLAR, 21.6X27.2X6		1						
14	1	1E8559-73280	COLLAR 21*30*4		1						
15	1	1E8559-73280	COLLAR 21*30*4		1						
16	1	22217-160000	WASHER, SPRING 16		1						
17	1	22217-200000	WASHER, SPRING 20		2						
18	1	22242-000200	RING, 20		1						
19	1	22252-000470	RING, 47		2						
20	1	22252-000521	RING, 52		1						
21	1	22252-000551	RING, 55		2						
22	1	22272-000190	RING, E-19		1						
23	1	22550-120450	KEY, 12 X 45		1						
24	1	22551-070350	KEY, 7X 35		1						
25	1	24104-060064	BEARING, BALL 6006UU		2						
26	1	24104-062044	BEARING, BALL 6204UU		2						
27	1	24104-063044	BEARING, BALL 6304UU		2						
28	1	24550-025300	BUSH, 25X30		2						
29	1	26717-100002	NUT, M10		2						
30	1	26737-160002	NUT, M16		1						
31	1	26737-200002	NUT, M20		2						

Fig.61. COUNTER BELT

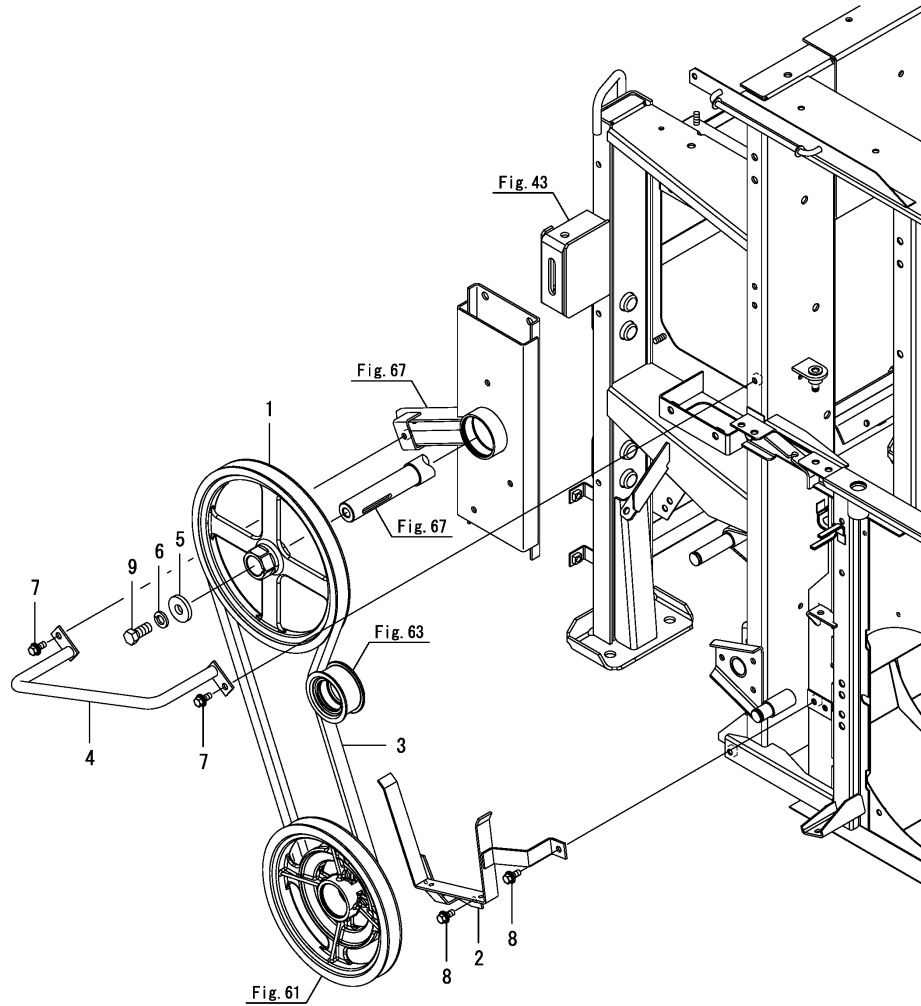
(A)=AW70V,SX-ID
 (B)=AW82V,SX-ID
 (C)=

(D)=
 (E)=
 (F)=



No.	Lev.	Parts No.	Description	Q'ty						I	R
				(A)	(B)	(C)	(D)	(E)	(F)		
1	1	1E8559-22220	WASHER 8.5X28X3.2	1	1						
2	1	1E8559-35161	PULLEY, TENSION	1	1						
3	1	1E6B30-35620	BOLT,TENSION 10X163	1	1						
4	1	1E6C80-36000	V-PULLEY,157C1-252C1	1	1						
5	1	1E6C80-36010	V-PULLEY, 252 B1	1	1						
6	1	1E6C80-36100	ARM,COUNTER	1	1						
7	1	1E6C80-36140	SPRING,25X127	1	1						
8	1	1E6C80-36150	SHAFT, COUNTER	1	1						
9	1	1E6C80-36180	V-BELT, LC58-AG8	1	1						
10	1	1E9060-51720	PLATE, 15X40X6	1	1						
11	1	22217-140000	WASHER, SPRING 14	1	1						
12	1	22252-000471	RING, 47	1	1						
13	1	22252-000521	RING, 52	1	1						
14	1	22272-000150	RING, E-15	1	1						
15	1	24104-062054	BEARING, BALL 6205UU	2	2						
16	1	24104-063034	BEARING, BALL 6303UU	1	1						
17	1	24550-020250	BUSH, 20X25	1	1						
18	1	26013-080202	BOLT, M8X 20	4	4						
19	1	26013-080202	BOLT, M8X 20	1	1						
20	1	26014-080202	BOLT, M8X 20	3	3						
21	1	26156-140302	BOLT, M14X 30 PLATED	1	1						
22	1	26717-100002	NUT, M10	2	2						

Fig.62. FRONT ROTOR BELT



(A)=AW70V,SX-ID
(B)=AW82V,SX-ID
(C)=

(D)=
(E)=
(F)=

No.	Lev.	Parts No.	Description	Q'ty						I	R
				(A)	(B)	(C)	(D)	(E)	(F)		
1	1	1E6C80-36020	V-PULLEY, 290 C1	1	1						
2	1	1E6C80-36250	RETAINER, K BELT D.	1	1						
3	1	1E6C80-36370	V-BELT, LC70-AG8	1	1						
4	1	1E6C80-36400	RETAINER, K BELT U	1	1						
5	1	1E9060-51720	PLATE, 15X40X6	1	1						
6	1	22217-140000	WASHER, SPRING 14	1	1						
7	1	26014-080202	BOLT, M8X 20	2	2						
8	1	26014-080202	BOLT, M8X 20	2	2						
9	1	26156-140302	BOLT, M14X 30 PLATED	1	1						

Fig.63. FRONT ROTOR BELT

(A)=AW70V,SX-ID
 (B)=AW82V,SX-ID
 (C)=

(D)=
 (E)=
 (F)=

No.	Lev.	Parts No.	Description	Q'ty						I	R
				(A)	(B)	(C)	(D)	(E)	(F)		
1	1	1E8559-22220	WASHER 8.5X28X3.2	1	1						
2	1	1E8559-35161	PULLEY, TENSION	1	1						
3	1	1E6B30-36041	SPRING, 2.6X17X170	1	1						
4	1	1E6C80-36240	SPRING,26.2X157	1	1						
5	1	1E6C80-36301	ARM, TENSION 130	1	1						
6	1	22137-160000	WASHER, 16	1	1						
7	1	22252-000471	RING, 47	1	1						
8	1	22272-000150	RING, E-15	1	1						
9	1	22417-250250	PIN, COTTER 2.5X25	1	1						
10	1	24104-063034	BEARING, BALL 6303UU	1	1						
11	1	24550-020250	BUSH, 20X25	2	2						
12	1	26013-080202	BOLT, M8X 20	1	1						

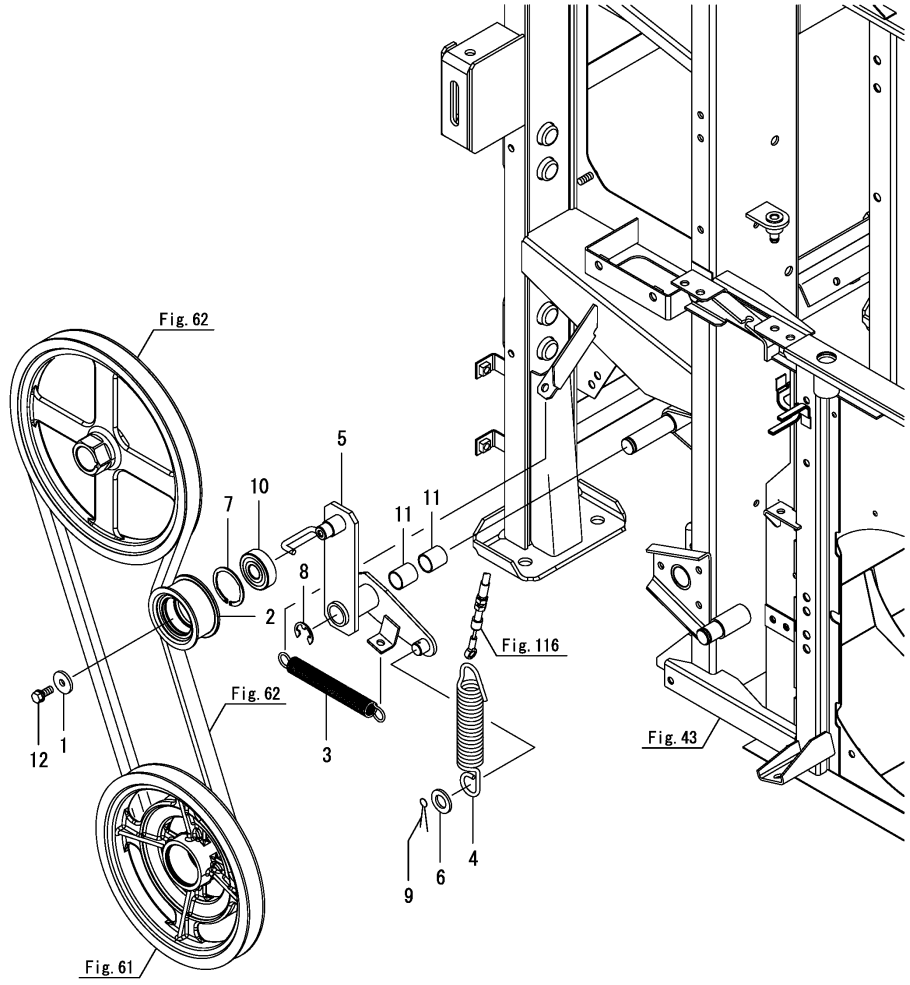


Fig.64. REAP DRIVE CHAIN

(A)=AW70V,SX-ID
 (B)=AW82V,SX-ID
 (C)=

(D)=
 (E)=
 (F)=

No.	Lev.	Parts No.	Description	Q'ty						I	R
				(A)	(B)	(C)	(D)	(E)	(F)		
1	1	1E6C80-36550	COVER, CHAIN	1	1						
2	1	1E6C80-36600	SPROCKET, 16T	1	1						
3	1	22551-070500	KEY, 7X 50	1	1						
4	1	25210-600621	CHAIN, 60 X 62	1	1						
5	1	26014-080162	BOLT, M8X 16	3	3						

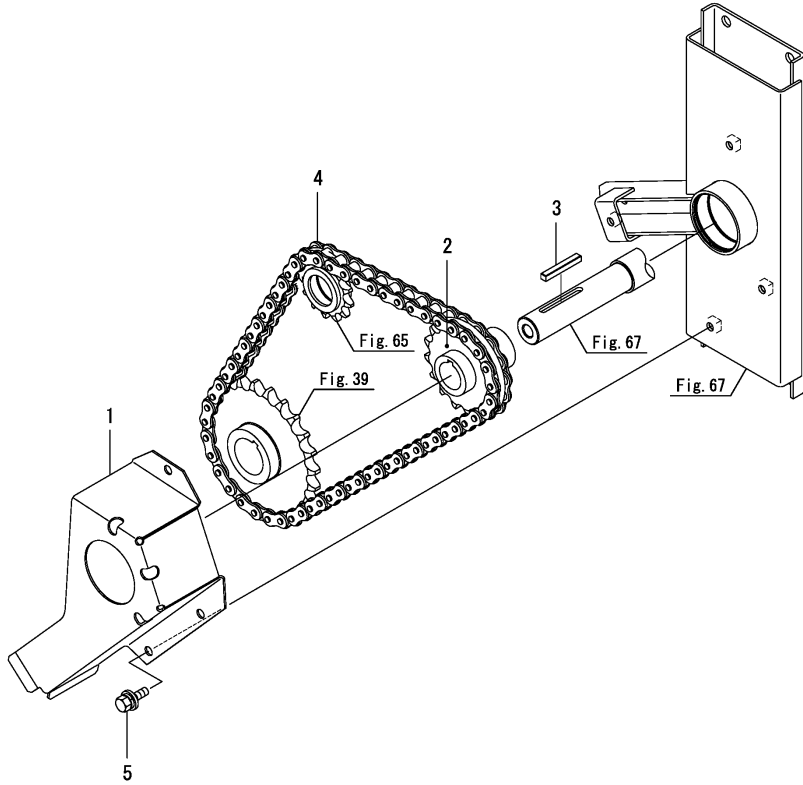
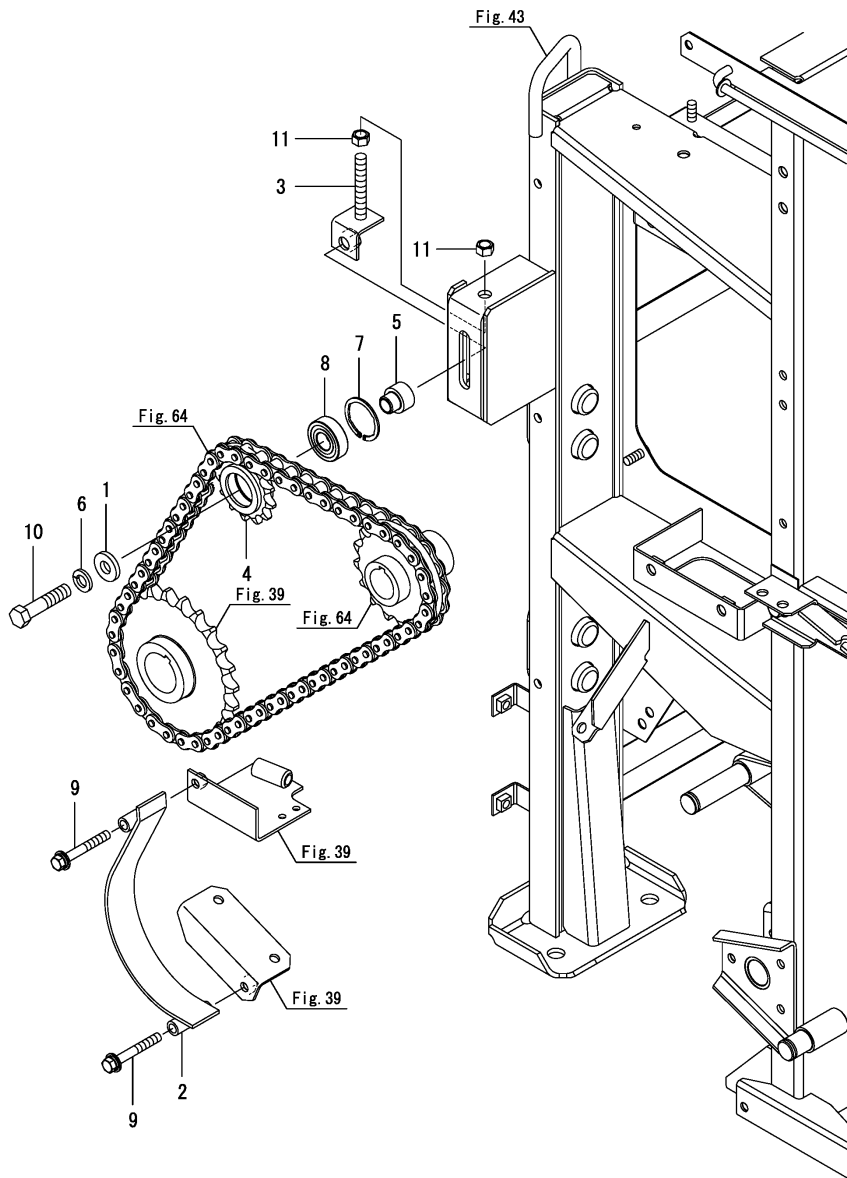


Fig.65. REAP DRIVE CHAIN



(A)=AW70V,SX-ID
(B)=AW82V,SX-ID
(C)=

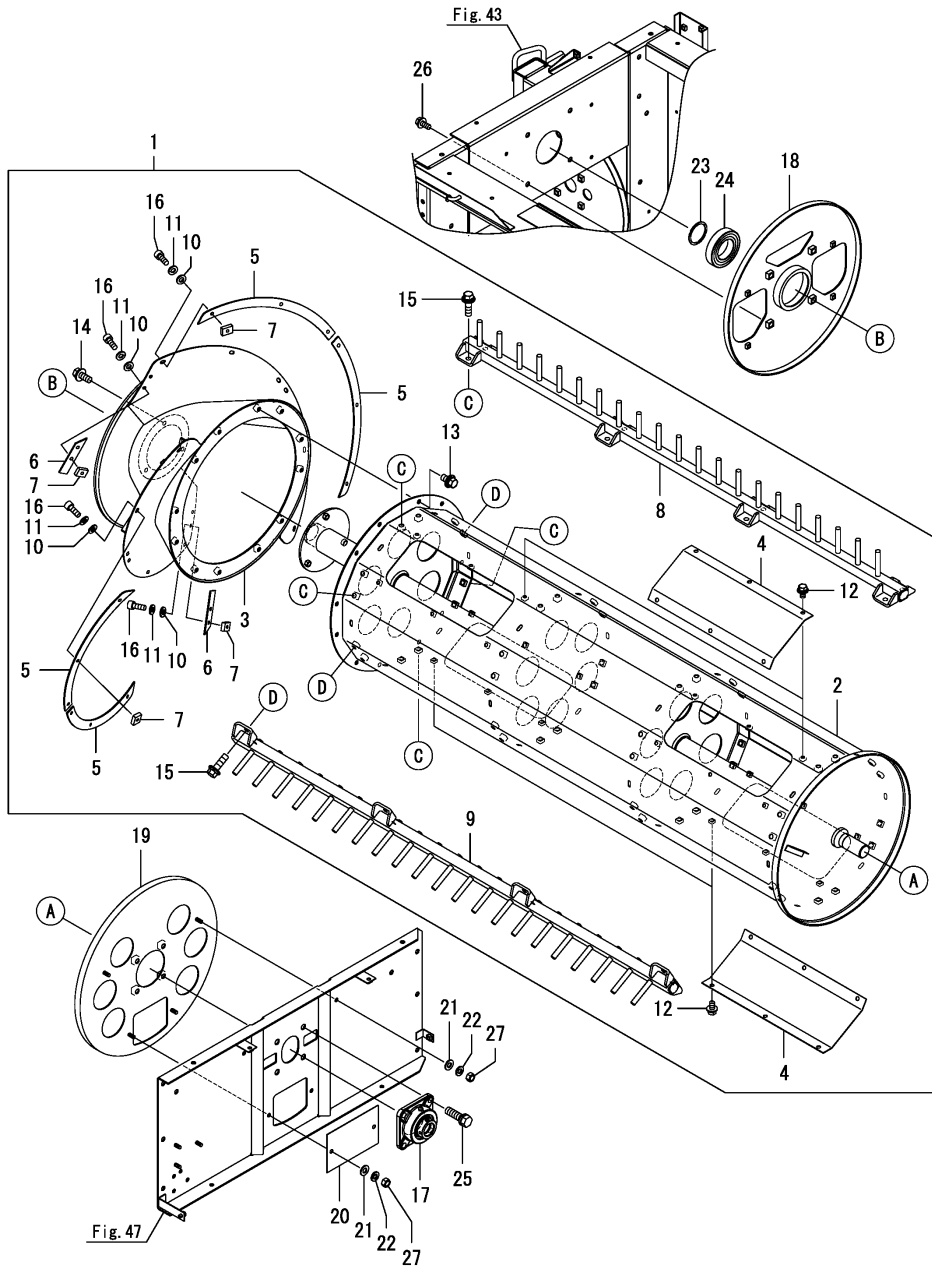
(D)=
(E)=
(F)=

No.	Lev.	Parts No.	Description	Q'ty						I	R
				(A)	(B)	(C)	(D)	(E)	(F)		
1	1	1E8559-12500	WASHER 12X28X4.5	1	1						
2	1	1E6C80-36450	COVER ASSY,CHAIN	1	1						
3	1	1E6B30-36501	BOLT, ADJUST	1	1						
4	1	1E6B30-36590	SPROCKET, 12 TENSION	1	1						
5	1	1E6B30-36610	BUSH, TENSION	1	1						
6	1	22217-120000	WASHER, SPRING 12	1	1						
7	1	22252-000401	RING, 40	1	1						
8	1	24104-062034	BEARING, BALL 6203UU	1	1						
9	1	26014-080602	BOLT, M8X 60	2	2						
10	1	26116-120552	BOLT, M12X 55 PLATED	1	1						
11	1	26717-100002	NUT, M10	2	2						

Fig.66. THRESH ROTOR

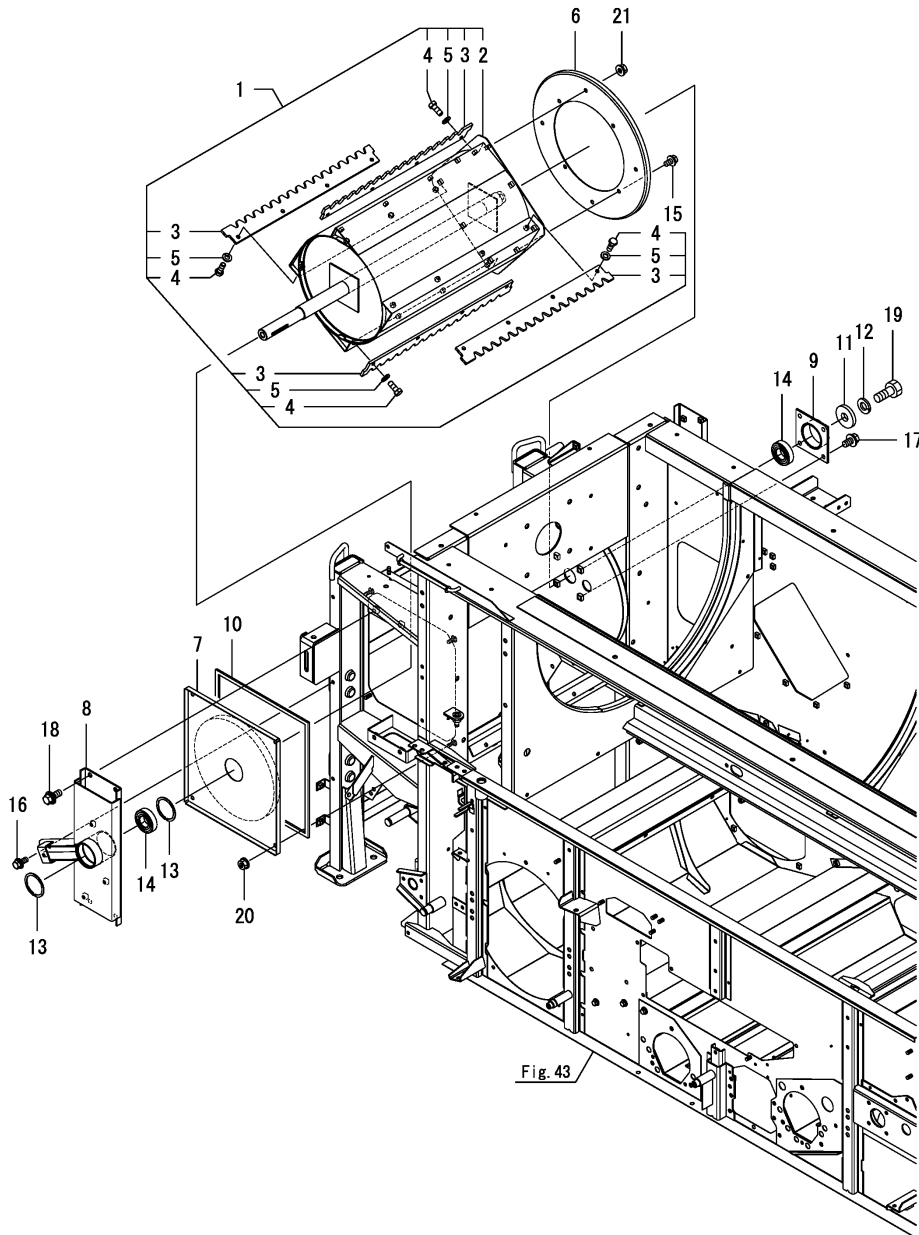
(A)=AW70V,SX-ID
 (B)=AW82V,SX-ID
 (C)=

(D)=
 (E)=
 (F)=



No.	Lev.	Parts No.	Description	Q'ty						I	R
				(A)	(B)	(C)	(D)	(E)	(F)		
1	1	1E6C40-38001	ROTOR ASSY	1	1						
2	2	1E6C40-38010	DRUM ASSY,ROTOR	1	1						
3	2	1E6C40-38150	CONE ASSY,ROTOR	1	1						
4	2	1E6C40-38190	PLATE, ROTOR A	4	4						
5	2	1E6B30-38220	PLATE,IMPELLER A	4	4						
6	2	1E6B30-38230	PLATE,IMPELLER B	2	2						
7	2	1E6B30-38270	NUT, M6 SQUARE	16	16						
8	2	1E6C40-38281	BAR,ROTOR A	4	4						
9	2	1E6C40-38301	BAR,ROTOR B	2	2						
10	2	22137-060000	WASHER, 6	16	16						
11	2	22217-060000	WASHER, SPRING 6	16	16						
12	2	26014-080162	BOLT, M8X 16	24	24						
13	2	26014-100202	BOLT, M10X 20	12	12						
14	2	26014-100252	BOLT, M10X 25	3	3						
15	2	26014-100352	BOLT 10X35	48	48						
16	2	26450-060162	BOLT, M6X 16	16	16						
17	1	1E6B30-38260	BEARING ASSY,35	1	1						
18	1	1E6C40-38400	PROTECTOR, FRONT	1	1						
19	1	1E6C40-38471	PROTECTOR,REAR	1	1						
20	1	1E6C40-38490	COVER, CLEANING REAR	1	1						
21	1	22137-080000	WASHER, 8	4	4						
22	1	22217-080000	WASHER, SPRING 8	4	4						
23	1	22242-000551	RING, 55	1	1						
24	1	24104-062114	BEARING, BALL 6211UU	1	1						
25	1	26013-120402	BOLT, M12X 40	4	4						
26	1	26014-080202	BOLT, M8X 20	4	4						
27	1	26717-080002	NUT, M8	4	4						

Fig.67. FRONT ROTOR



(A)=AW70V,SX-ID
(B)=AW82V,SX-ID
(C)=

(D)=
(E)=
(F)=

No.	Lev.	Parts No.	Description	Q'ty						I	R
				(A)	(B)	(C)	(D)	(E)	(F)		
1	1	1E6C43-38510	ROTOR,FRONT WP	1	1						
2	2	1E6C43-38500	ROTOR, FRONT	1	1						
3	2	1E6B30-38650	BLADE, FRONT ROTOR	4	4						
4	2	1E8550-85760	BOLT, M8X20	16	16						
5	2	22217-080000	WASHER, SPRING 8	16	16						
6	1	1E6C40-38690-1	PLATE, PROTECTOR R	1	1						
7	1	1E6B30-38700-1	COVER, FRONT ROTOR	1	1						
8	1	1E6C80-38730	METAL, FRONT ROTOR	1	1						
9	1	1E6B30-38790	HOLDER, BEARING	1	1						
10	1	1E6B30-38830	SEAL,5X10X135	1	1						
11	1	1E9060-51720	PLATE, 15X40X6	1	1						
12	1	22217-140000	WASHER, SPRING 14	1	1						
13	1	22252-000621	RING, 62	2	2						
14	1	24104-062064	BEARING, BALL 6206UU	2	2						
15	1	26014-080162	BOLT, M8X 16	7	7						
16	1	26014-080202	BOLT, M8X 20	1	1						
17	1	26014-100202	BOLT, M10X 20	4	4						
18	1	26014-100252	BOLT, M10X 25	4	4						
19	1	26156-140302	BOLT, M14X 30 PLATED	1	1						
20	1	26367-080002	NUT, M8	4	4						
21	1	26367-080002	NUT, M8	1	1						

Fig.68. CONCAVE

(A)=AW70V,SX-ID
 (B)=AW82V,SX-ID
 (C)=

(D)=
 (E)=
 (F)=

No.	Lev.	Parts No.	Description	Qty						I	R
				(A)	(B)	(C)	(D)	(E)	(F)		
1	1	1E6B30-39001	CONCAVE ASSY,14	4	4						
2	1	26014-080202	BOLT, M8X 20	4	4						

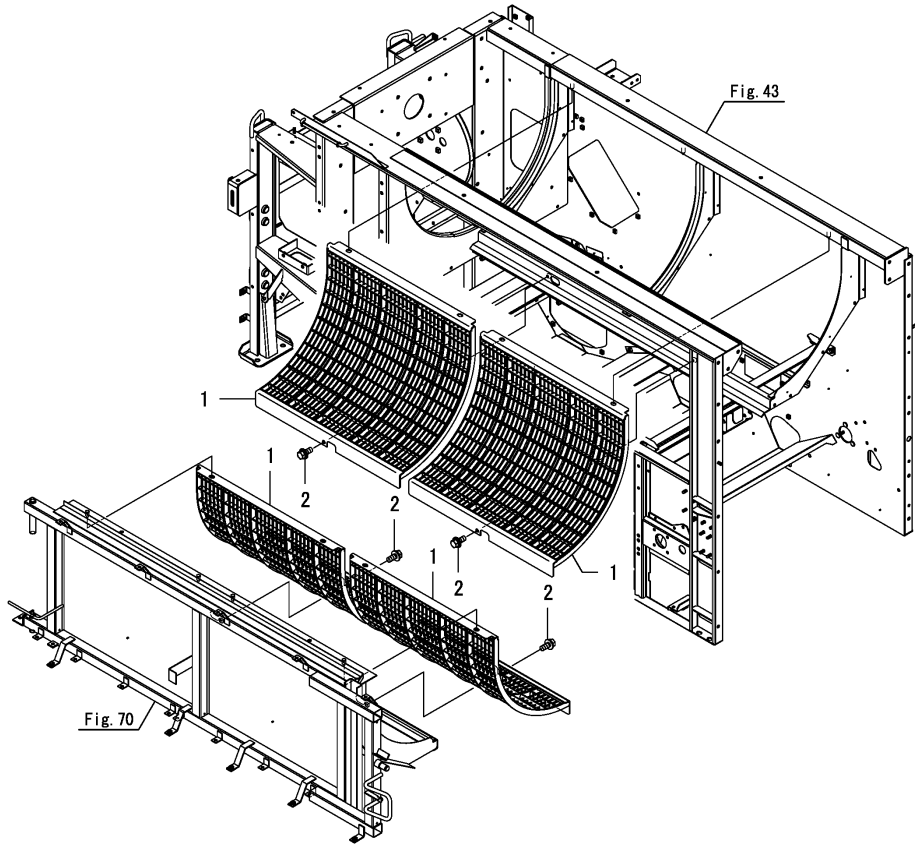
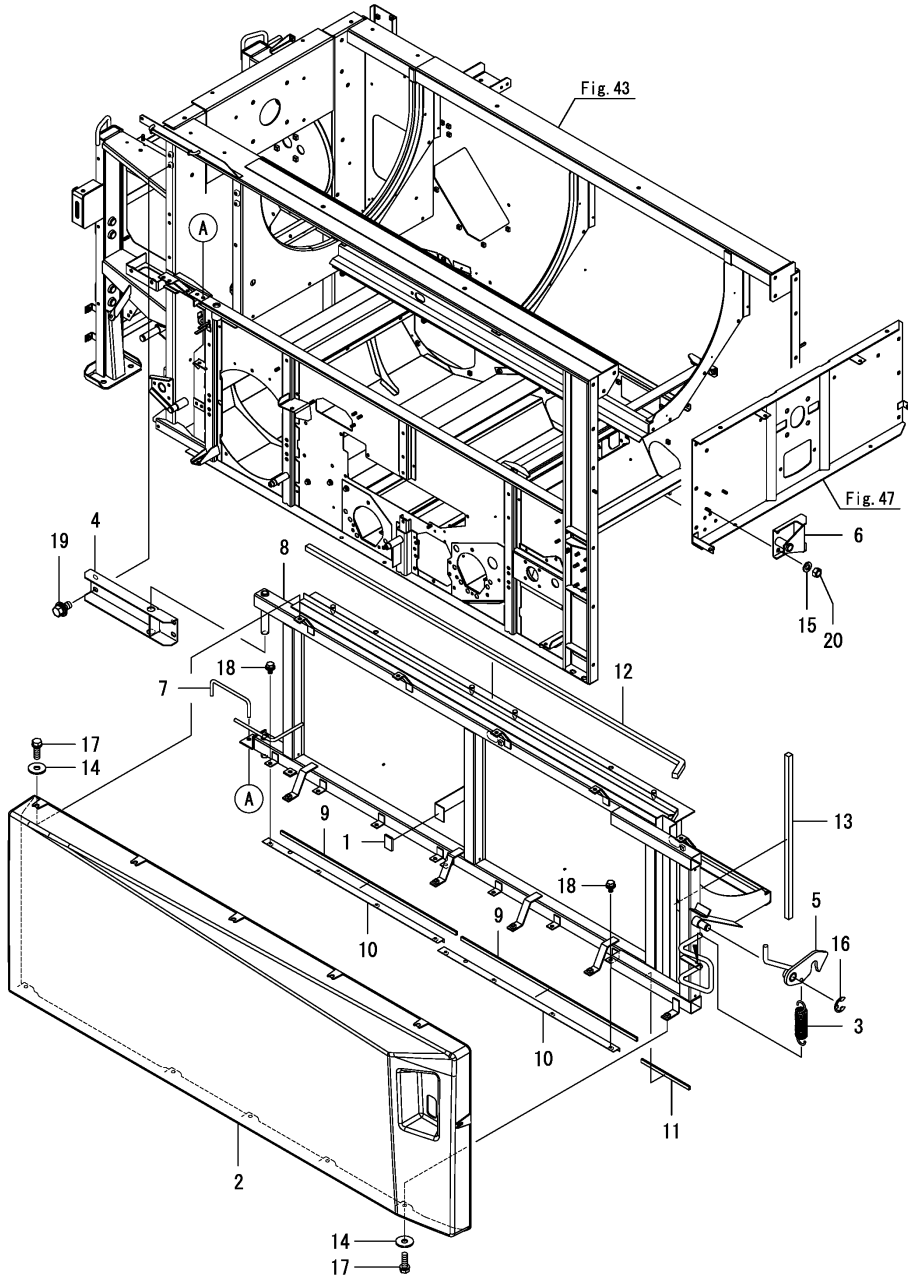


Fig.70. OPEN FRAME

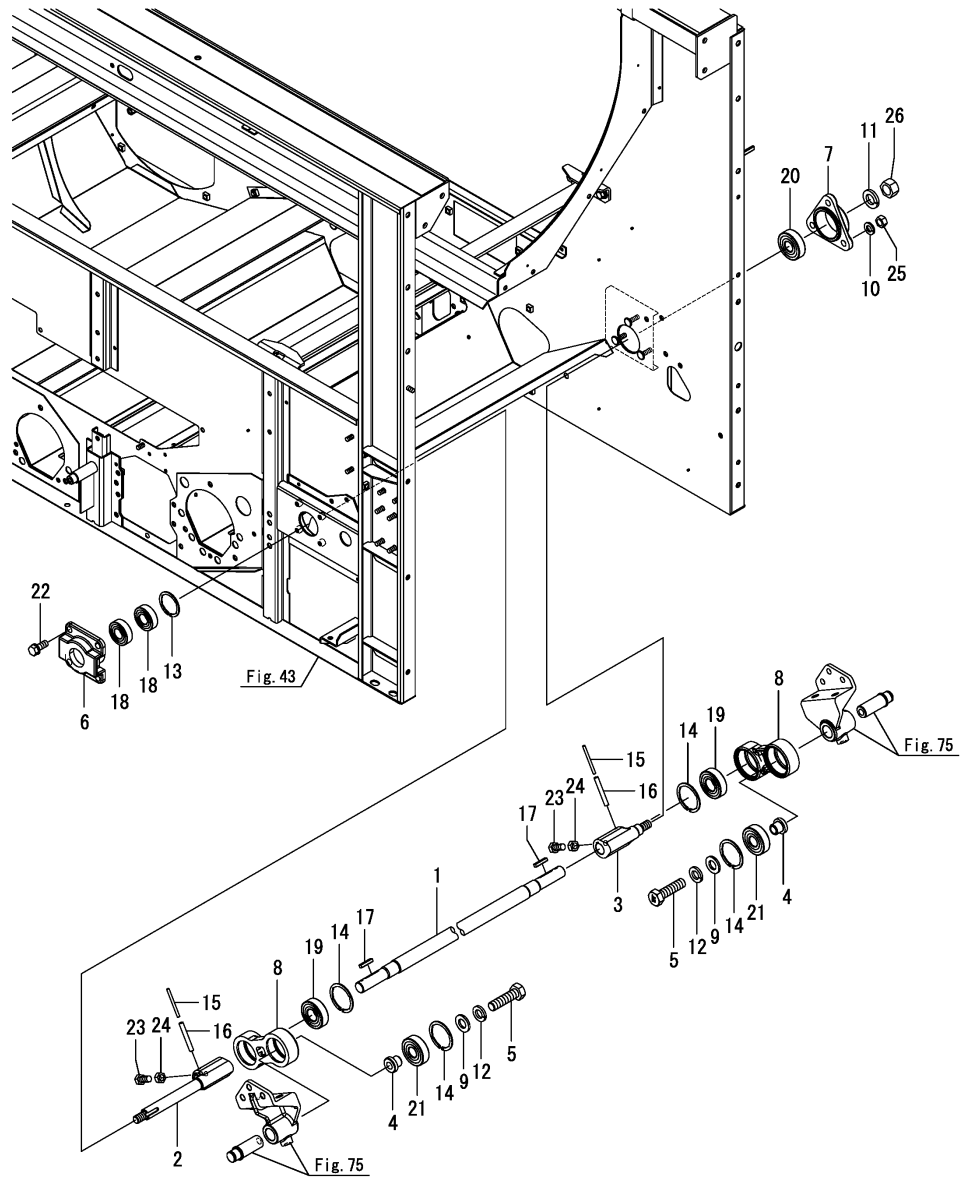


(A)=AW70V,SX-ID
(B)=AW82V,SX-ID
(C)=

(D)=
(E)=
(F)=

No.	Lev.	Parts No.	Description	Q'ty						I	R
				(A)	(B)	(C)	(D)	(E)	(F)		
1	1	1E6B30-34170	SPONGE,5X26X40	1	1						
2	1	1E6C80-34500	COVER, OPEN	1	1						
3	1	1E8559-35700	SPRING 2.3X17.3X74	1	1						
4	1	1E6C40-39300	SUPPORT, FULCRUM	1	1						
5	1	1E6B30-39351-1	ARM, LOCK	1	1						
6	1	1E6B30-39430	SHAFT, OPEN LOCK	1	1						
7	1	1E6B30-39480	ROD, OPEN LOCK	1	1						
8	1	1E6C80-39500	FRAME, OPEN	1	1						
9	1	1E6C40-39600	SEAL, 5X10X660	2	2						
10	1	1E6C40-39610	SUPPORT, SEAL	2	2						
11	1	1E6C40-39630	SEAL, 5X10X180	1	1						
12	1	1E6B30-39980	SEAL, 15X15X1465	1	1						
13	1	1E6B30-39990	SEAL, 15X15X530	1	1						
14	1	22157-080000	WASHER, 8	10	10						
15	1	22217-080000	WASHER, SPRING 8	3	3						
16	1	22272-000150	RING, E-15	1	1						
17	1	26013-080252	BOLT, M8X 25	10	10						
18	1	26014-060122	BOLT, M6X 12	8	8						
19	1	26014-100202	BOLT, M10X 20	4	4						
20	1	26717-080002	NUT, M8	3	3						

Fig.71. SWING SHAFT



(A)=AW70V,SX-ID
(B)=AW82V,SX-ID
(C)=

(D)=
(E)=
(F)=

No.	Lev.	Parts No.	Description	Q'ty						I	R
				(A)	(B)	(C)	(D)	(E)	(F)		
1	1	1E6B30-42011	SHAFT, SWING A	1	1						
2	1	1E6C80-42020	SHAFT, SWING L	1	1						
3	1	1E6B30-42030	SHAFT, SWING R	1	1						
4	1	1E8990-42150	BUSH, 12X17X19.5	2	2						
5	1	1E8990-42170	BOLT, 12X45 11T	2	2						
6	1	1E6B30-42240	METAL, SWING SHAFT L	1	1						
7	1	1E6B30-42250	METAL, SWING SHAFT R	1	1						
8	1	1E8990-42250	ARM, SWING REAR	2	2						
9	1	22137-120000	WASHER, 12	2	2						
10	1	22217-080000	WASHER, SPRING 8	3	3						
11	1	22217-120000	WASHER, SPRING 12	1	1						
12	1	22217-120000	WASHER, SPRING 12	2	2						
13	1	22252-000401	RING, 40	1	1						
14	1	22252-000471	RING, 47	4	4						
15	1	22351-030040	PIN, SPRING 3.0X40	2	2						
16	1	22351-050040	PIN, SPRING 5.0X40	2	2						
17	1	22551-050250	KEY, 5X 25	2	2						
18	1	24104-062034	BEARING, BALL 6203UU	2	2						
19	1	24104-062044	BEARING, BALL 6204UU	2	2						
20	1	24104-063034	BEARING, BALL 6303UU	1	1						
21	1	24104-063034	BEARING, BALL 6303UU	2	2						
22	1	26013-080202	BOLT, M8X 20	4	4						
23	1	26116-080162	BOLT, M8X 16 PLATED	2	2						
24	1	26717-080002	NUT, M8	2	2						
25	1	26717-080002	NUT, M8	3	3						
26	1	26737-120002	NUT, M12	1	1						

Fig.73. SWING ARM(FRONT)

(A)=AW70V,SX-ID
 (B)=AW82V,SX-ID
 (C)=

(D)=
 (E)=
 (F)=

No.	Lev.	Parts No.	Description	Q'ty						I	R
				(A)	(B)	(C)	(D)	(E)	(F)		
1	1	1E6C40-42130	GUIDE, FULCRUM F L	1	1						
2	1	1E6C40-42170	GUIDE, FULCRUM F R	1	1						
3	1	22137-080000	WASHER, 8	6	6						
4	1	22217-080000	WASHER, SPRING 8	6	6						
5	1	26717-080002	NUT, M8	6	6						

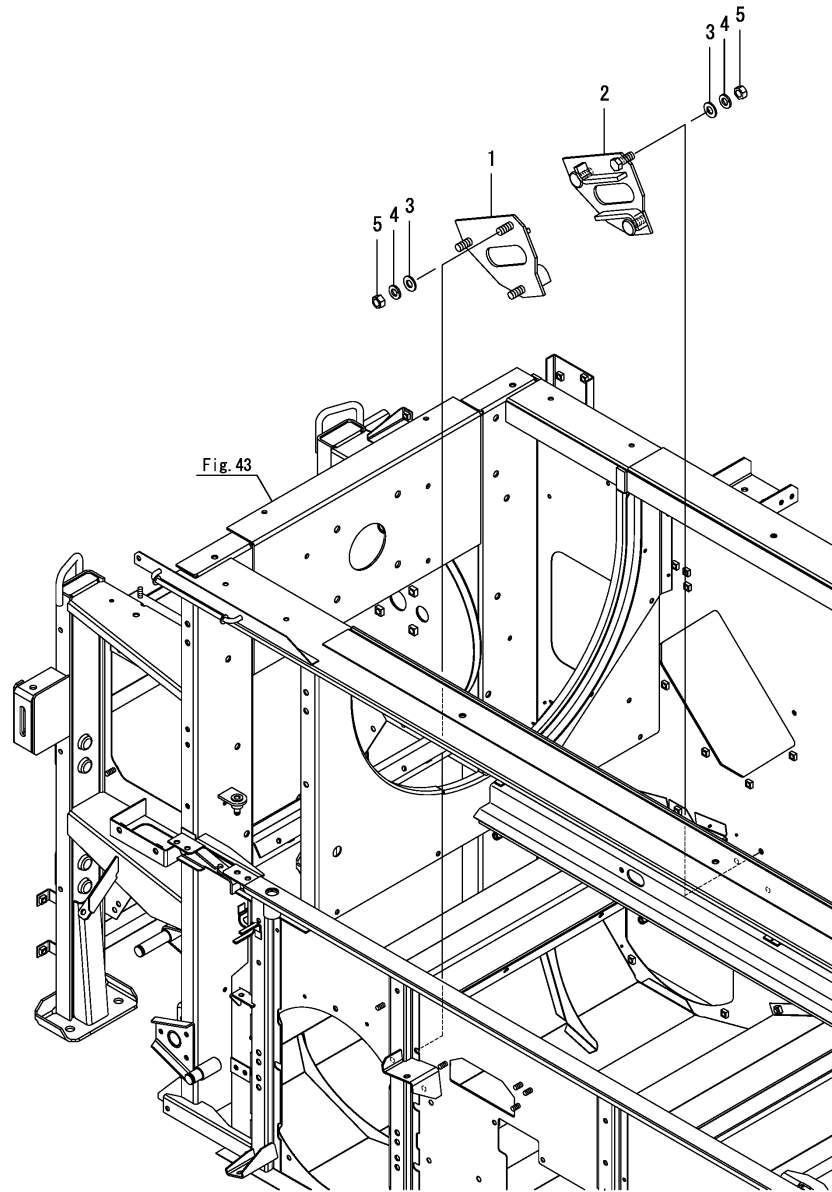
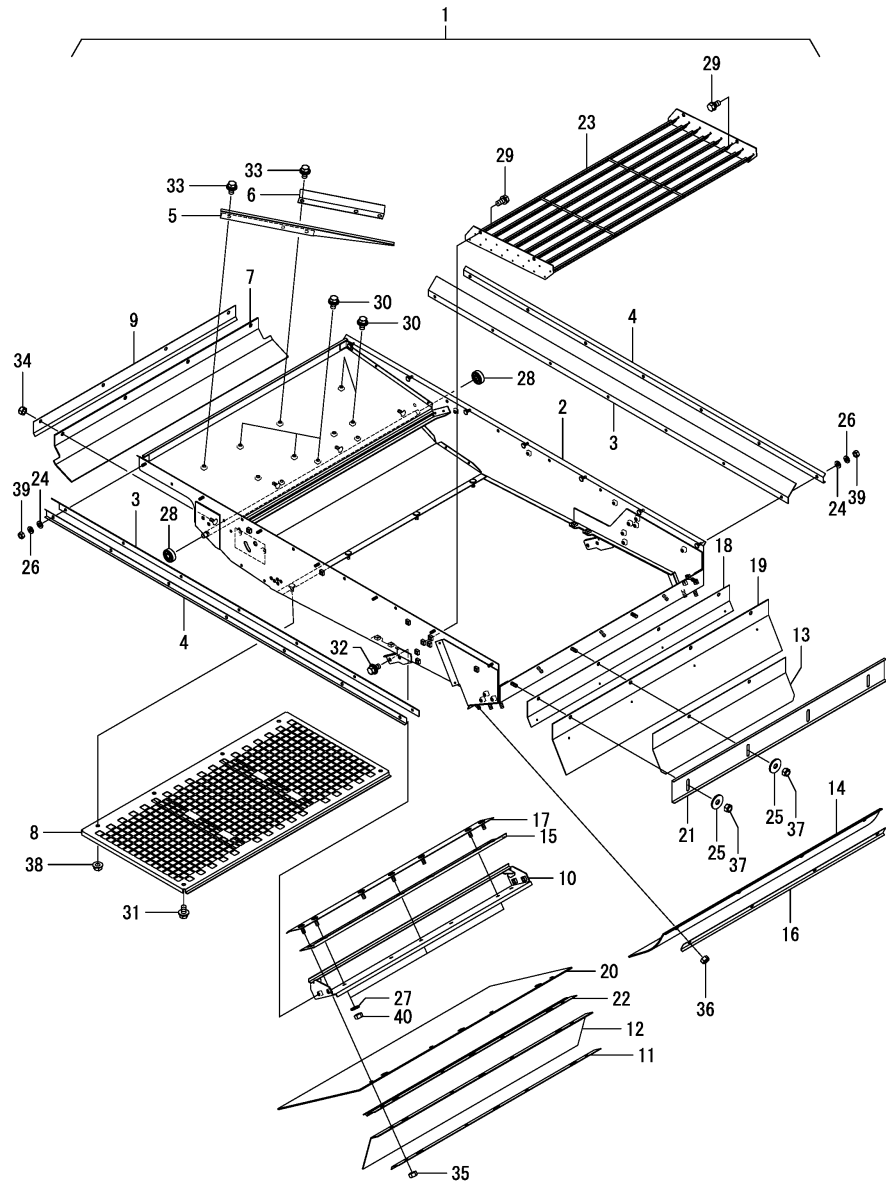


Fig.74. SWING FRAME(1)



(A)=AW70V,SX-ID
(B)=AW82V,SX-ID
(C)=

(D)=
(E)=
(F)=

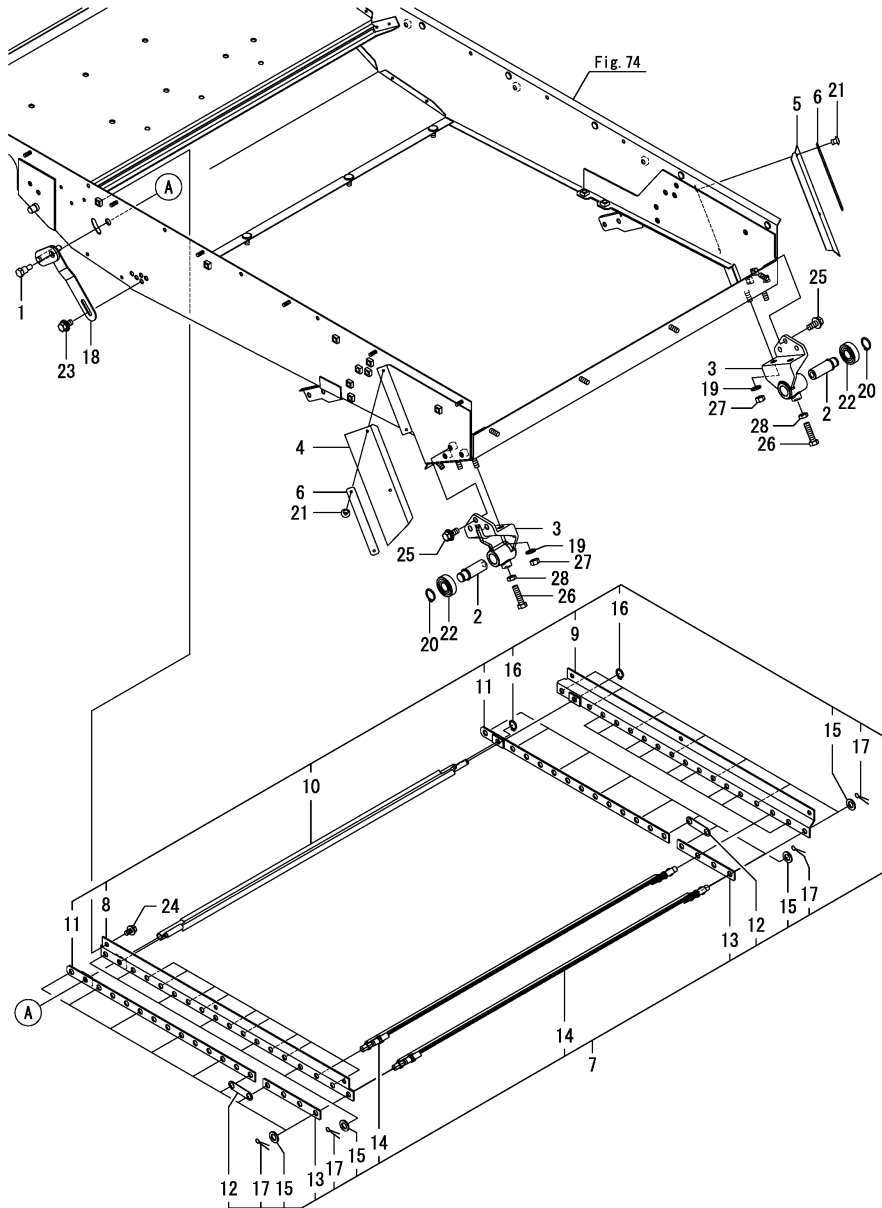
No.	Lev.	Parts No.	Description	Q'ty						I	R
				(A)	(B)	(C)	(D)	(E)	(F)		
1	1	1E6C85-42402	SWING ASSY,V	1	1						1
2	2	1E6C85-42501	FRAME,SWING V	1	1						
3	2	1E6B30-42730	SEAL, SIDE A	2	2						
4	2	1E6B30-42740	RETAINER, SIDE A	2	2						
5	2	1E6B30-42761	PLATE,LEAD L	1	1						
6	2	1E6B30-42771	PLATE,LEAD	1	1						
7	2	1E6B30-42780	SEAL, SORTING	1	1						
8	2	1E6C80-42800	NET,19	1	1						
9	2	1E6B30-42830	RETAINER,SOTER SEAL	1	1						
10	2	1E6C80-42891	PLATE ASSY,GRAIN	1	1						
11	2	1E6C85-42890	RETAINER,1ST SEAL	1	1						
12	2	1E6C85-42900	SEAL, 2ND FRONT	1	1						
13	2	1E6B30-42911	RETAINER,REAR SEAL A	1	1						
14	2	1E6B30-42920	SEAL, 2ND	1	1						
15	2	1E6C80-42920	PLATE, GRAIN FLOW C	1	1						
16	2	1E6B30-42930	RETAINER,2ND SEAL	1	1						
17	2	1E6C80-42930	PLATE, GRAIN FLOW D	1	1						
18	2	1E6B30-42940	RETAINER,REAR SEAL B	1	1						
19	2	1E6B30-42951	SEAL, REAR	1	1						
20	2	1E6C80-42950	SEAL, 1ST	1	1						
21	2	1E6B30-42961	PLATE,SWING REAR	1	1						
22	2	1E6C80-42960	SUPPORT,SEAL	1	1						
23	2	1E6C40-43150	SIEVE, CHAFF B	1	1						
24	2	22137-060000	WASHER, 6	14	14						
25	2	22157-080000	WASHER, 8	4	4						
26	2	22217-060000	WASHER, SPRING 6	14	14						
27	2	22217-080000	WASHER, SPRING 8	3	3						
28	2	24104-063014	BEARING, BALL 6301UU	2	2						
29	2	26013-080162	BOLT, M8X 16	4	4						
30	2	26014-080162	BOLT, M8X 16	5	5						
31	2	26014-080162	BOLT, M8X 16	2	2						
32	2	26014-080162	BOLT, M8X 16	4	4						
33	2	26014-080162	BOLT, M8X 16	6	6						
34	2	26346-080002	NUT, M8	4	4						
35	2	26346-080002	NUT, M8	4	4						
36	2	26346-080002	NUT, M8	4	4						
37	2	26346-080002	NUT, M8	4	4						
38	2	26367-080002	NUT, M8	4	4						
39	2	26717-060002	NUT, M6	14	14						
40	2	26717-080002	NUT, M8	3	3						

Remarks

(1)No.1 includes Fig.74 & Fig.75.

N:Old $\begin{matrix} \leftarrow \text{Yes} \\ \text{No} \rightarrow \end{matrix}$ New, Q:Old $\begin{matrix} \leftarrow \text{No} \\ \text{Yes} \rightarrow \end{matrix}$ New, R:Old $\begin{matrix} \leftarrow \text{Yes} \\ \text{Yes} \rightarrow \end{matrix}$ New, S:Old $\begin{matrix} \leftarrow \text{No} \\ \text{No} \rightarrow \end{matrix}$ New, W:Add, Z:Discontinued, F:Interchangeable by set, K:Q'ty Change

Fig.75. SWING FRAME(2)



(A)=AW70V,SX-ID
(B)=AW82V,SX-ID
(C)=

(D)=
(E)=
(F)=

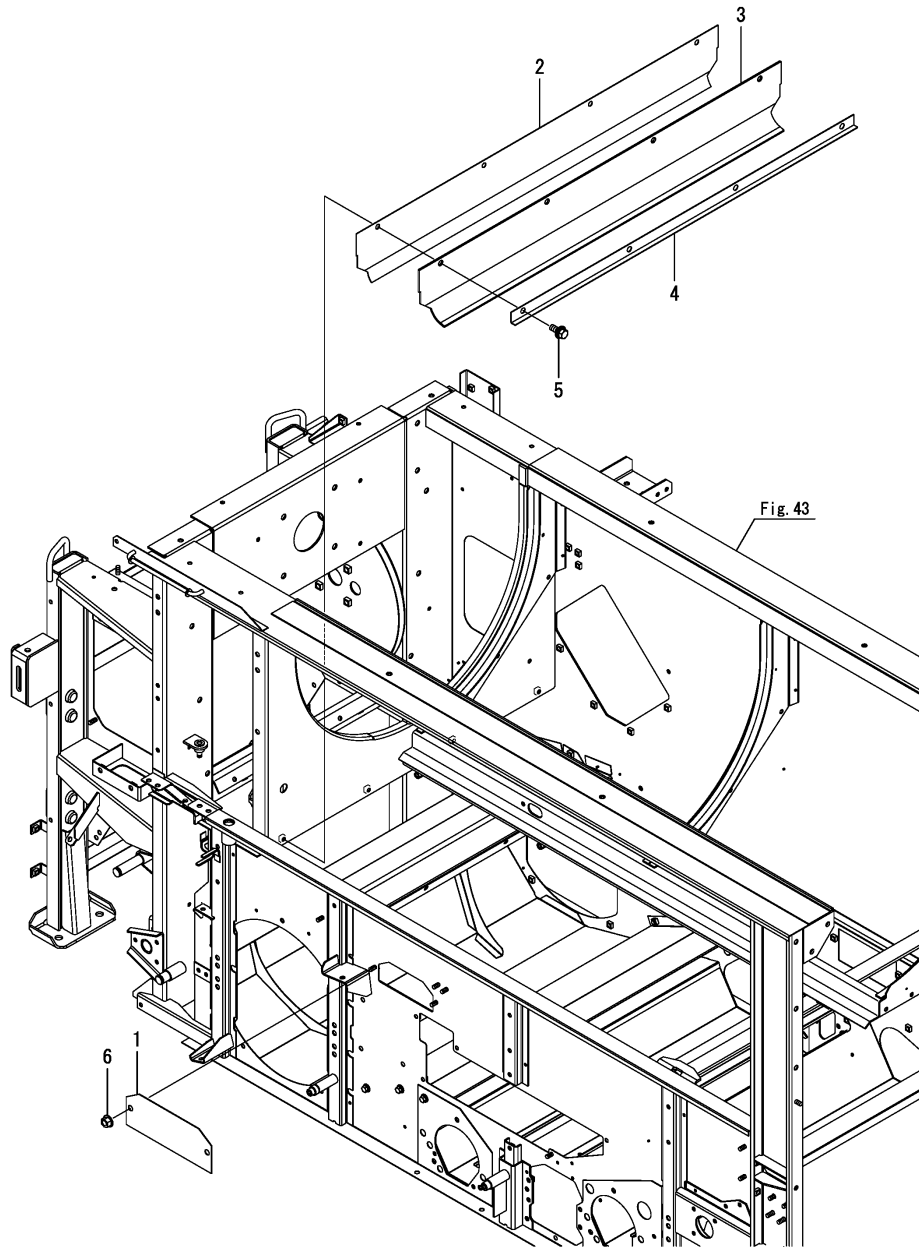
No.	Lev.	Parts No.	Description	Q'ty						I	R
				(A)	(B)	(C)	(D)	(E)	(F)		
1	2	1E8230-14400	PIN, LOCK LEVER	1	1						
2	2	1E6B30-42190	SHAFT, SWING REAR	2	2						
3	2	1E6B30-42200	METAL, SWING REAR	2	2						
4	2	1E6C80-42970	SEAL, SIDE L	1	1						
5	2	1E6C80-42980	SEAL, SIDE R	1	1						
6	2	1E6C80-42990	PLATE, SIDE B	2	2						
7	2	1E6C80-43000	FIN ASSY	1	1						
8	3	1E6C80-43010	BRACKET, FIN L	1	1						
9	3	1E6C80-43050	BRACKET, FIN R	1	1						
10	3	1E6C80-43100	FIN, FULCRUM	1	1						
11	3	1E6C80-43160	PLATE, CHAFF	2	2						
12	3	1E6C80-43180	JOINT, CHAFF	2	2						
13	3	1E6C80-43190	PLATE, CHAFF D	2	2						
14	3	1E6C80-43200	FIN, CHAFF	17	17						
15	3	22117-100000	WASHER, 10	30	30						
16	3	22242-000100	RING, 10	2	2						
17	3	22417-200150	PIN, COTTER 2.0X15	30	30						
18	2	1E6C85-43350	ARM, FULC. CHAFF	1	1						
19	2	22217-080000	WASHER, SPRING 8	4	4						
20	2	22242-000170	RING, 17	2	2						
21	2	22697-400321	RIVET, 4.0X 3.2	4	4						
22	2	24104-062034	BEARING, BALL 6203UU	2	2						
23	2	26014-080162	BOLT, M8X 16	1	1						
24	2	26014-080162	BOLT, M8X 16	6	6						
25	2	26014-080202	BOLT, M8X 20	6	6						
26	2	26116-080304	BOLT, M8X 30 PLATED	2	2						
27	2	26717-080002	NUT, M8	4	4						
28	2	26757-080002	NUT, LOCK M8	2	2						

Remarks

* This figure is incorporated in Fig.74 No.1.

N:Old $\xrightarrow{\text{Yes}}$ New, Q:Old $\xrightarrow{\text{No}}$ New, R:Old $\xrightarrow{\text{Yes}}$ New, S:Old $\xrightarrow{\text{No}}$ New, W:Add, Z:Discontinued, F:Interchangeable by set, K:Q'ty Change

Fig.76. SWING FRAME(3)



(A)=AW70V,SX-ID
 (B)=AW82V,SX-ID
 (C)=

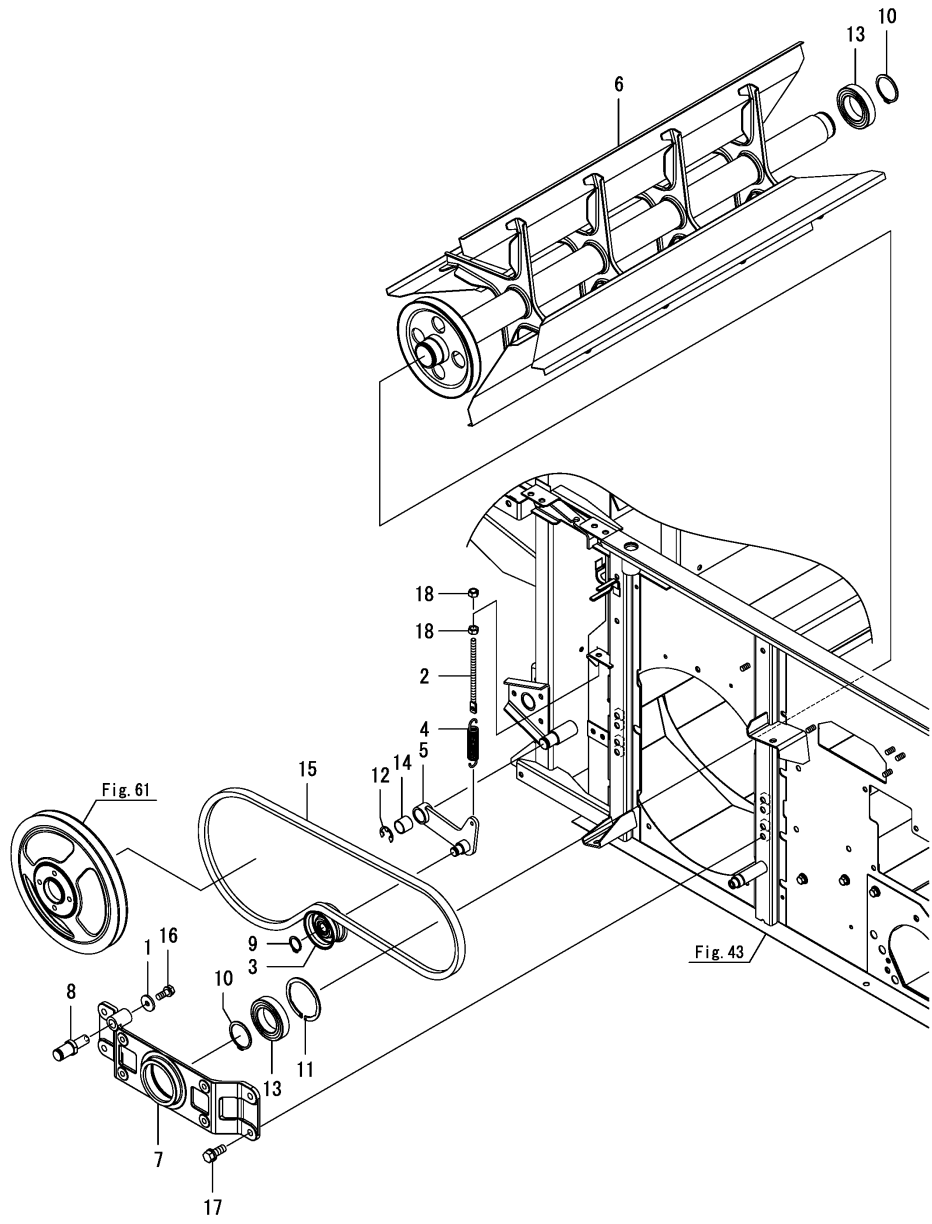
(D)=
 (E)=
 (F)=

No.	Lev.	Parts No.	Description	Q'ty						I	R
				(A)	(B)	(C)	(D)	(E)	(F)		
1	1	1E6C85-31440	COVER, CLEANING	1	1						
2	1	1E6B30-42470	SEAL, FRONT B	1	1						
3	1	1E6B30-42750	SEAL, FRONT	1	1						
4	1	1E6B30-42790	RETAINER, FRONT SEAL	1	1						
5	1	26014-080202	BOLT, M8X 20	4	4						
6	1	26367-080002	NUT, M8	2	2						

Fig.78. WINNOWER FAN

(A)=AW70V,SX-ID
(B)=AW82V,SX-ID
(C)=

(D)=
(E)=
(F)=



No.	Lev.	Parts No.	Description	Q'ty						I	R
				(A)	(B)	(C)	(D)	(E)	(F)		
1	1	1E8559-22220	WASHER 8.5X28X3.2	1	1						
2	1	1E8559-35170	SCREW, TENSION 8X140	1	1						
3	1	1E6B30-35760	ROLLER, TENSION 60	1	1						
4	1	1E6B30-35780	SPRING, 2.6X15X92	1	1						
5	1	1E6C80-36200	ARM, TENSION 140	1	1						
6	1	1E6C80-44250	FAN, WINNOWER	1	1						
7	1	1E6C80-44310	METAL, WINNOWER LA	1	1						
8	1	1E6C80-44330	SHAFT, FULCRUM	1	1						
9	1	22242-000150	RING, 15	1	1						
10	1	22242-000450	RING, 45	2	2						
11	1	22252-000751	RING, 75	1	1						
12	1	22272-000150	RING, E-15	1	1						
13	1	24104-060094	BEARING, BALL 6009UU	2	2						
14	1	24550-020200	BUSH, 20X20	1	1						
15	1	25123-005802	V BELT, SB 58 H2	1	1						
16	1	26013-080202	BOLT, M8X 20	1	1						
17	1	26013-100252	BOLT, M10X 25	4	4						
18	1	26717-080002	NUT, M8	2	2						

Fig.79. COVER(BODY)

(A)=AW70V,SX-ID
 (B)=AW82V,SX-ID
 (C)=

(D)=
 (E)=
 (F)=

No.	Lev.	Parts No.	Description	Q'ty						I	R
				(A)	(B)	(C)	(D)	(E)	(F)		
1	1	1E6B35-44300	COVER,2ND FAN	1	1						
2	1	1E6B35-44500	COVER, BODY	1	1						
3	1	1E6B35-44550	STAY, COVER	1	1						
4	1	22137-080000	WASHER, 8	2	2						
5	1	22217-080000	WASHER, SPRING 8	2	2						
6	1	26014-080162	BOLT, M8X 16	4	4						
7	1	26014-080162	BOLT, M8X 16	2	2						
8	1	26717-080002	NUT, M8	2	2						

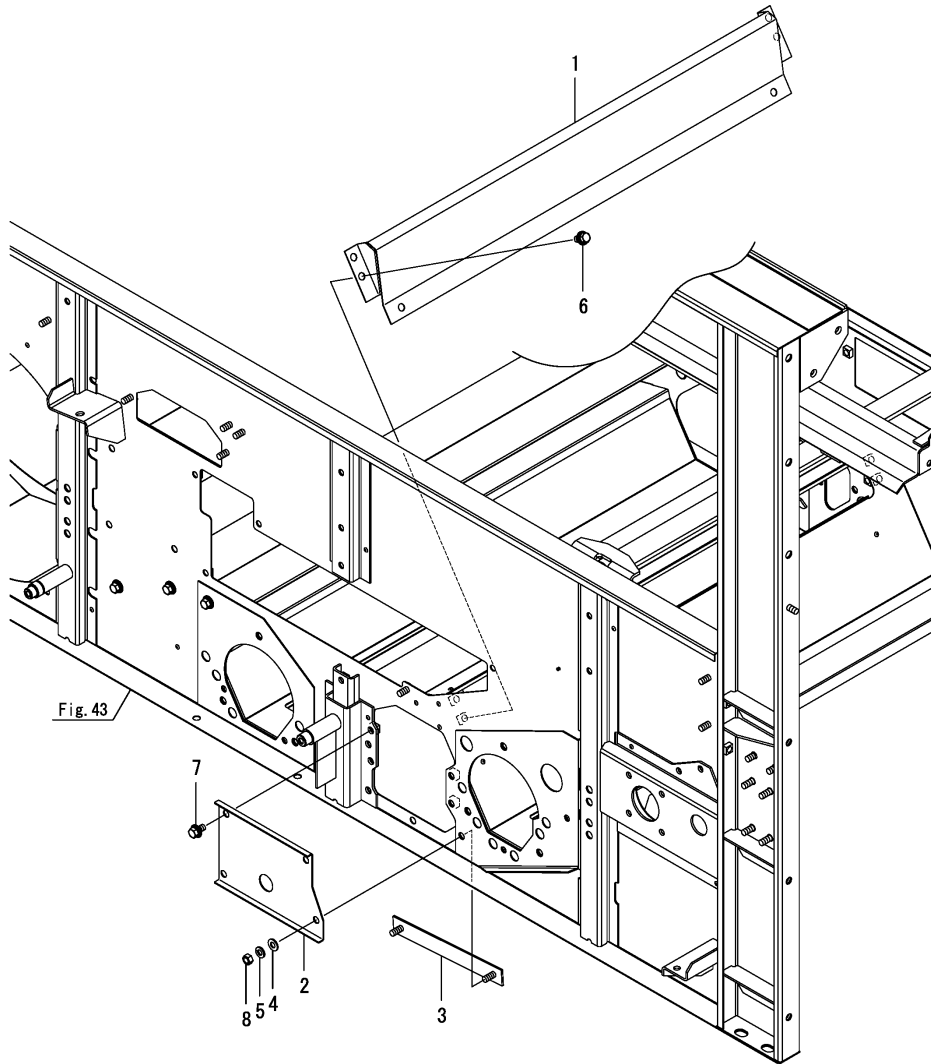
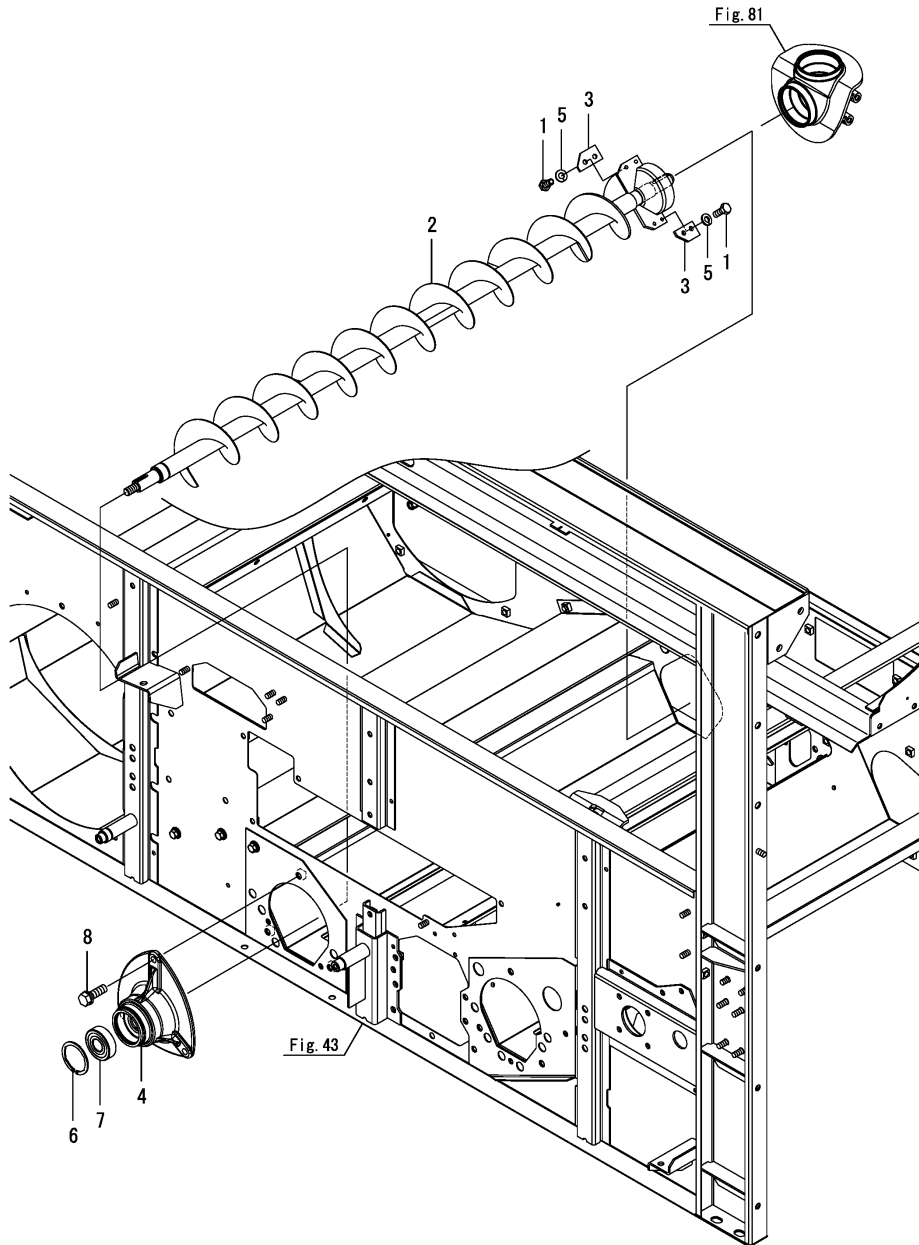


Fig.80. CONVEYOR(1ST)



(A)=AW70V,SX-ID
 (B)=AW82V,SX-ID
 (C)=

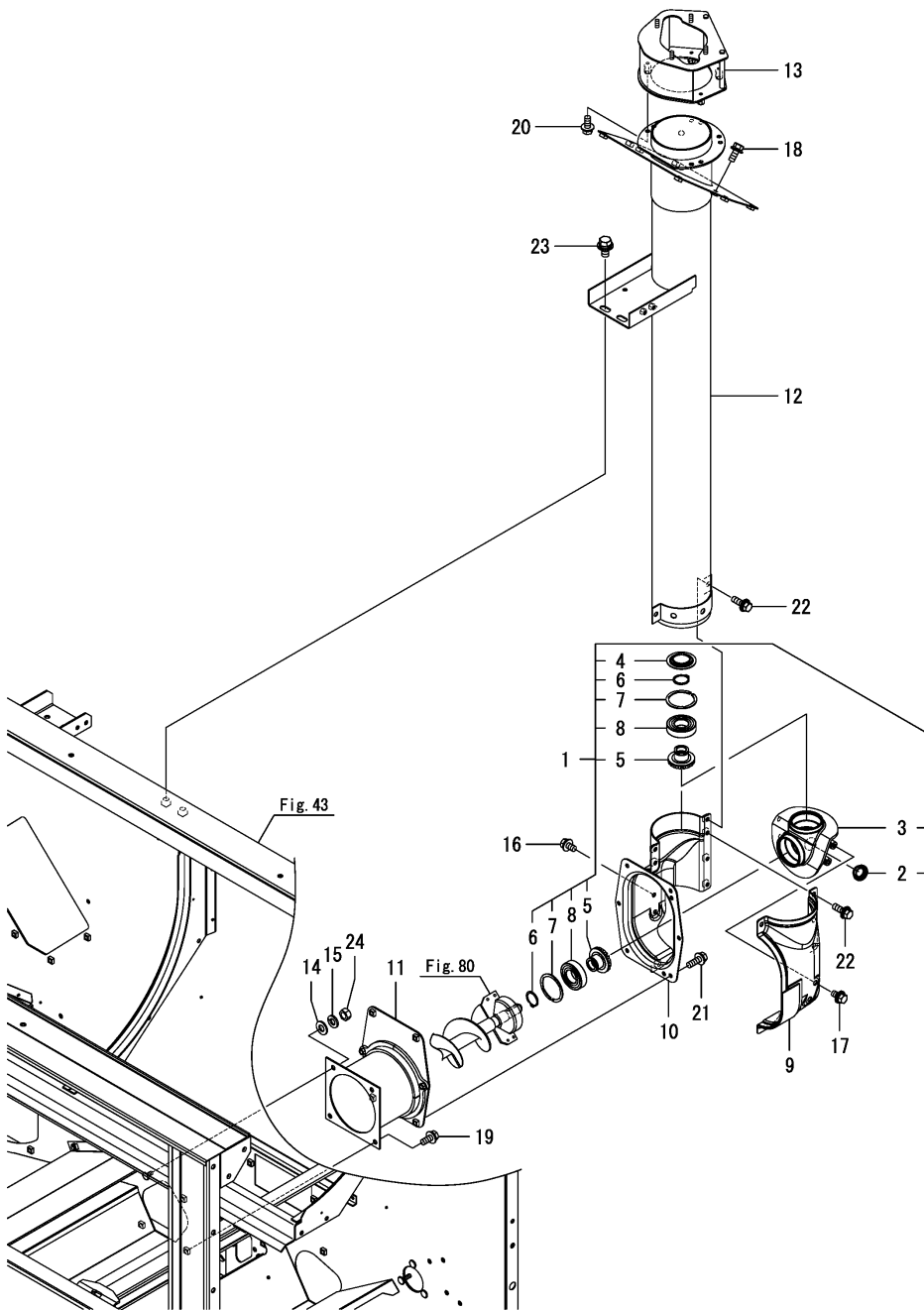
(D)=
 (E)=
 (F)=

No.	Lev.	Parts No.	Description	Q'ty						I	R
				(A)	(B)	(C)	(D)	(E)	(F)		
1	1	1E8559-35380	BOLT 6*16	4	4						
2	1	7E6C80-45000	CONVEYOR, 1ST-49	1	1						
3	1	1E6C80-45080	BLADE, SUCCESSION	2	2						
4	1	1E6B30-45750	METAL, 1ST L	1	1						
5	1	22217-060000	WASHER, SPRING 6	4	4						
6	1	22252-000521	RING, 52	1	1						
7	1	24104-063044	BEARING, BALL 6304UU	1	1						
8	1	26013-080252	BOLT, M8X 25	3	3						

Fig.81. GRAIN ELEVATE AUGER CASE

(A)=AW70V,SX-ID
(B)=AW82V,SX-ID
(C)=

(D)=
(E)=
(F)=

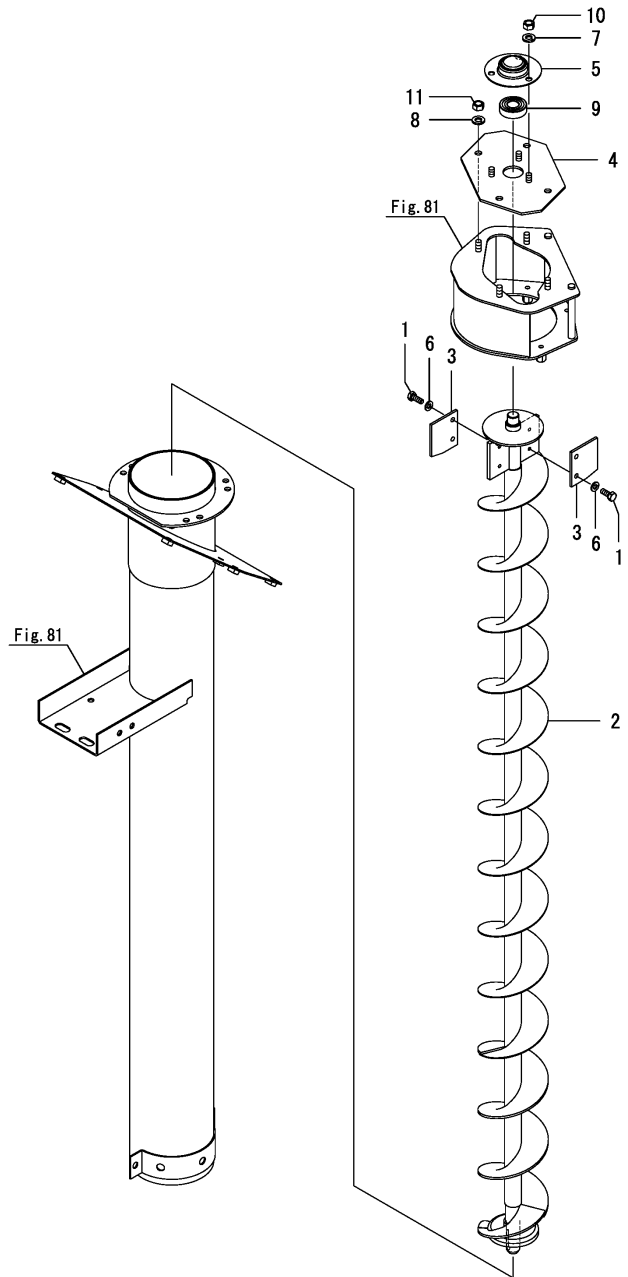


No.	Lev.	Parts No.	Description	Q'ty						I	R
				(A)	(B)	(C)	(D)	(E)	(F)		
1	1	7E6B30-45100-1	CASE ASSY, BEVEL	1	1						
2	2	1C730C-36280	PLUG, BORE 28	1	1						
3	2	1E6B30-45104-1	CASE, BEVEL	1	1						
4	2	1E6B30-45110	SEAL, METAL	1	1						
5	2	1E6B30-45130	GEAR, BEVEL 17A	2	2						
6	2	22242-000300	RING, 30	2	2						
7	2	22252-000621	RING, 62	2	2						
8	2	24104-062064	BEARING, BALL 6206UU	2	2						
9	1	1E6B30-45191-1	COVER ASSY, CASE	1	1						
10	1	1E6B30-45201	CASE, SUCCESSION	1	1						
11	1	1E6B30-45302	PIPE, SUCCESSION	1	1						
12	1	1E6C45-45501-1	PIPE, GRAIN ELEVAT.	1	1						
13	1	1E6B35-45600	THROWER,PADDY TS	1	1						
14	1	22137-080000	WASHER, 8	1	1						
15	1	22217-080000	WASHER, SPRING 8	1	1						
16	1	26014-080162	BOLT, M8X 16	2	2						
17	1	26014-080162	BOLT, M8X 16	2	2						
18	1	26014-080202	BOLT, M8X 20	2	2						
19	1	26014-080202	BOLT, M8X 20	3	3						
20	1	26014-080202	BOLT, M8X 20	4	4						
21	1	26014-080252	BOLT, M8X 25	6	6						
22	1	26014-080252	BOLT, M8X 25	7	7						
23	1	26014-100202	BOLT, M10X 20	2	2						
24	1	26717-080002	NUT, M8	1	1						

Fig.82. GRAIN ELEVATE AUGER

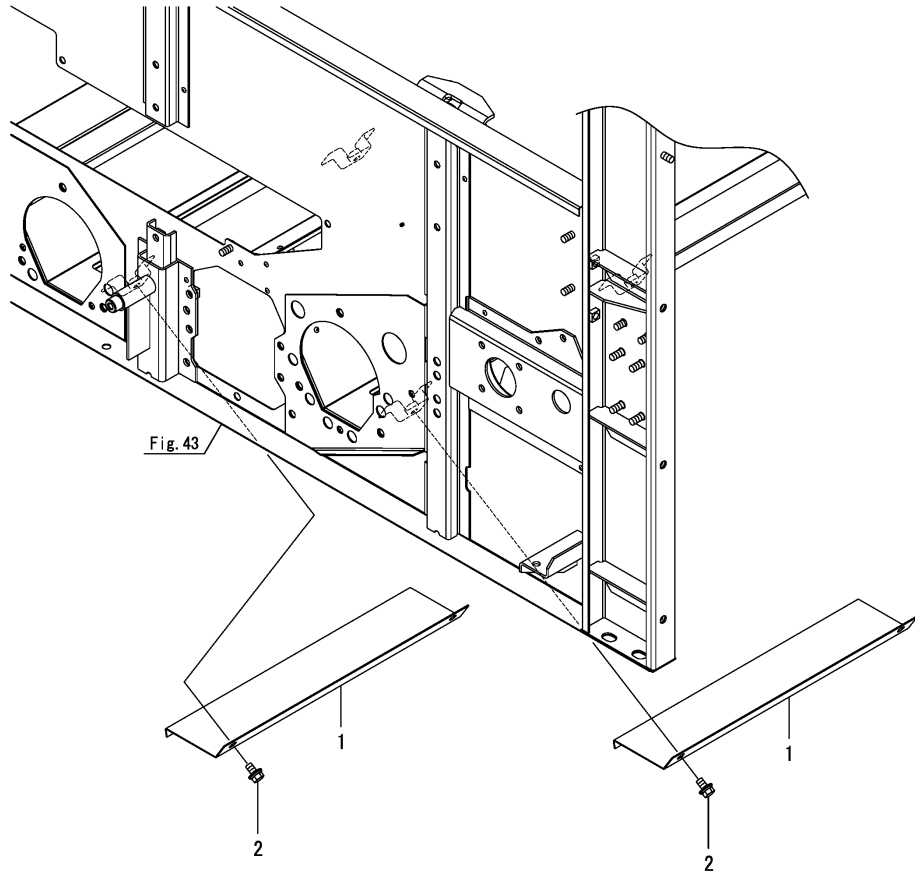
(A)=AW70V,SX-ID
 (B)=AW82V,SX-ID
 (C)=

(D)=
 (E)=
 (F)=



No.	Lev.	Parts No.	Description	Q'ty						I	R
				(A)	(B)	(C)	(D)	(E)	(F)		
1	1	1E8559-35380	BOLT 6*16	4	4						
2	1	1E6B31-45402	CONVEYOR, GRAIN ELEV.	1	1						
3	1	1E6B35-45480	BLADE, GRAIN ELEVAT	2	2						
4	1	1E6B35-45580	PLATE, PORT UPPER	1	1						
5	1	1E6B30-45680	RETAINER, BEARING 40	1	1						
6	1	22217-060000	WASHER, SPRING 6	4	4						
7	1	22217-080000	WASHER, SPRING 8	3	3						
8	1	22217-080000	WASHER, SPRING 8	4	4						
9	1	24104-062034	BEARING, BALL 6203UU	1	1						
10	1	26717-080002	NUT, M8	3	3						
11	1	26717-080002	NUT, M8	4	4						

Fig.83. BOTTOM PLATE

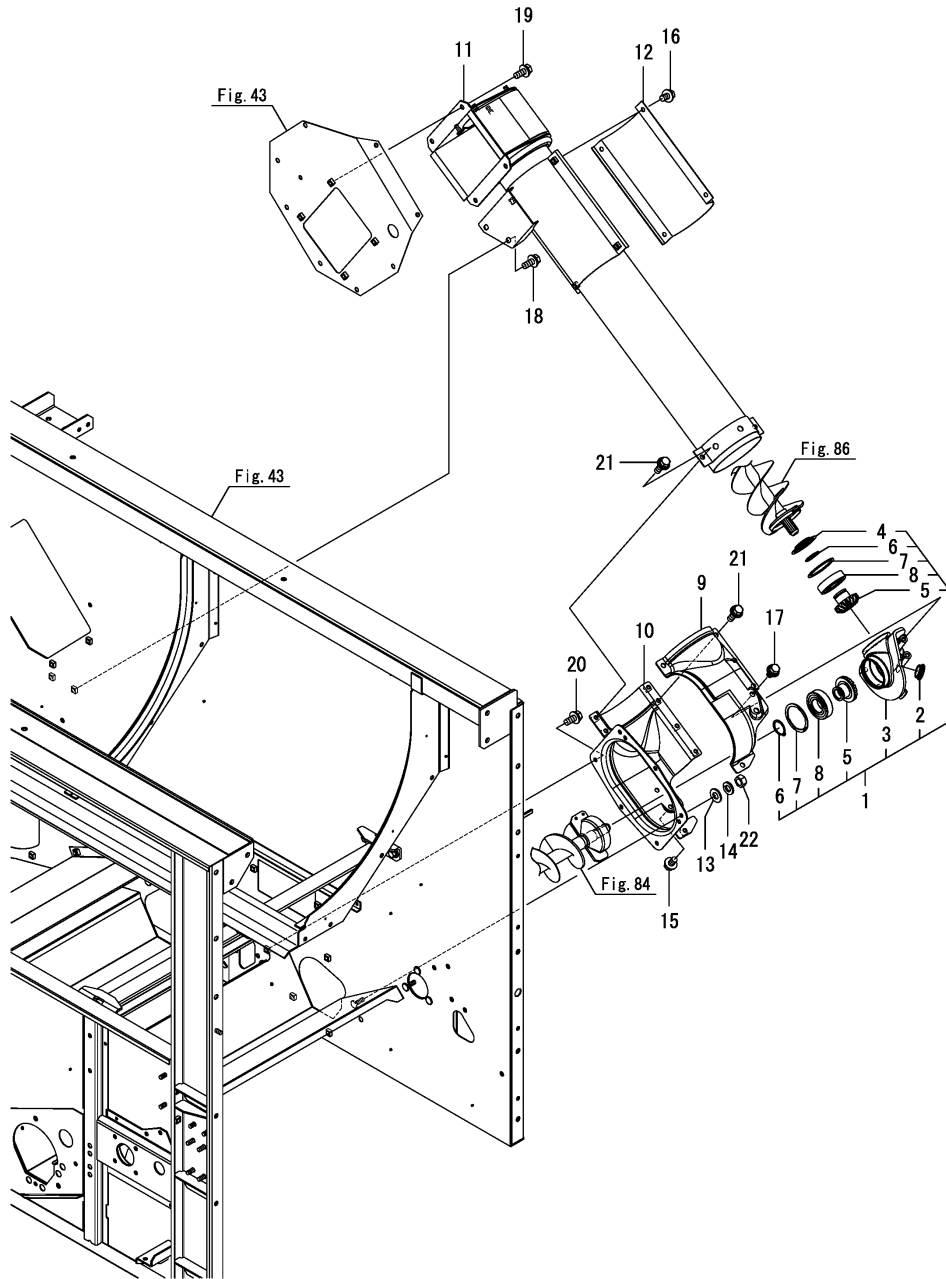


(A)=AW70V,SX-ID
 (B)=AW82V,SX-ID
 (C)=

(D)=
 (E)=
 (F)=

No.	Lev.	Parts No.	Description	Q'ty						I	R
				(A)	(B)	(C)	(D)	(E)	(F)		
1	1	1E6B30-45700-2	COVER, GUTTER	2	2						
2	1	26014-080162	BOLT, M8X 16	4	4						

Fig.85. VERTICAL CONVEYOR CASE(2ND)



(A)=AW70V,SX-ID
(B)=AW82V,SX-ID
(C)=

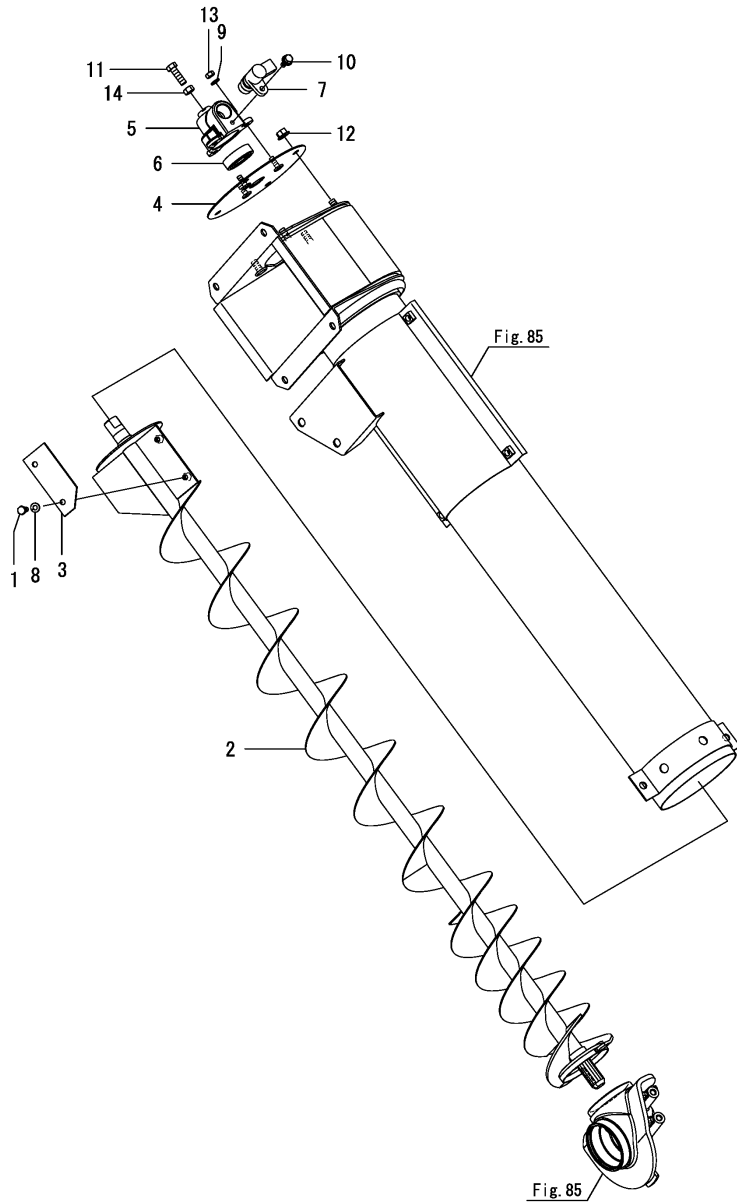
(D)=
(E)=
(F)=

No.	Lev.	Parts No.	Description	Q'ty						I	R
				(A)	(B)	(C)	(D)	(E)	(F)		
1	1	7E6B30-45100-1	CASE ASSY, BEVEL	1	1						
2	2	1C730C-36280	PLUG, BORE 28	1	1						
3	2	1E6B30-45104-1	CASE, BEVEL	1	1						
4	2	1E6B30-45110	SEAL, METAL	1	1						
5	2	1E6B30-45130	GEAR, BEVEL 17A	2	2						
6	2	22242-000300	RING, 30	2	2						
7	2	22252-000621	RING, 62	2	2						
8	2	24104-062064	BEARING, BALL 6206UU	2	2						
9	1	1E6B30-45191-1	COVER ASSY, CASE	1	1						
10	1	1E6B30-45201	CASE, SUCCESSION	1	1						
11	1	1E6B30-46406	PIPE, VERT. 2ND	1	1						
12	1	1E6B30-46480-1	PIPE, 2ND VERT. B	1	1						
13	1	22137-080000	WASHER, 8	1	1						
14	1	22217-080000	WASHER, SPRING 8	1	1						
15	1	26014-080162	BOLT, M8X 16	2	2						
16	1	26014-080162	BOLT, M8X 16	4	4						
17	1	26014-080162	BOLT, M8X 16	2	2						
18	1	26014-080202	BOLT, M8X 20	2	2						
19	1	26014-080202	BOLT, M8X 20	4	4						
20	1	26014-080202	BOLT, M8X 20	5	5						
21	1	26014-080252	BOLT, M8X 25	7	7						
22	1	26717-080002	NUT, M8	1	1						

Fig.86. VERTICAL CONVEYOR(2ND)

(A)=AW70V,SX-ID
(B)=AW82V,SX-ID
(C)=

(D)=
(E)=
(F)=

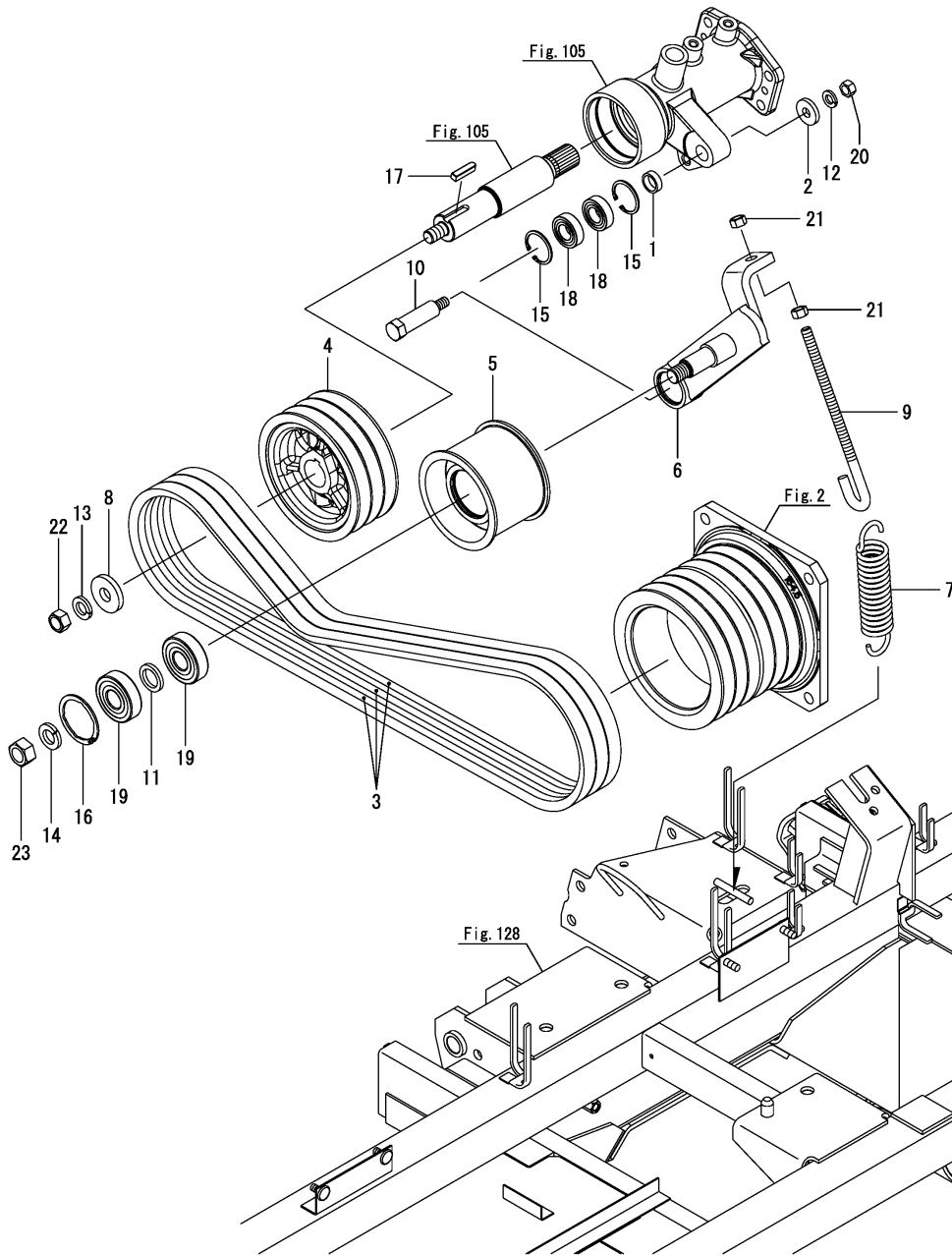


No.	Lev.	Parts No.	Description	Q'ty						I	R
				(A)	(B)	(C)	(D)	(E)	(F)		
1	1	1E8559-35380	BOLT 6*16	2	2						
2	1	7E6C80-46500	CONVEYOR, 2ND VERT.	1	1						
3	1	1E6B30-46571	BLADE,SPREAD 2ND	1	1						
4	1	1E6B30-46582	PLATE,METAL 2ND	1	1						
5	1	1E6B30-46600	METAL, 2ND UPPER	1	1						
6	1	1E6B30-46720	BEARING, 6004UU	1	1						
7	1	158557-61720	SENSOR	1	1						
8	1	22217-060000	WASHER, SPRING 6	2	2						
9	1	22217-060000	WASHER, SPRING 6	3	3						
10	1	26014-060162	BOLT, M6X 16	1	1						
11	1	26116-080252	BOLT, M8X 25 PLATED	1	1						
12	1	26367-080002	NUT, M8	4	4						
13	1	26717-060002	NUT, M6	3	3						
14	1	26717-080002	NUT, M8	1	1						

Fig.87. TRAVEL DRIVE BELT

(A)=AW70V,SX-ID
(B)=AW82V,SX-ID
(C)=

(D)=
(E)=
(F)=

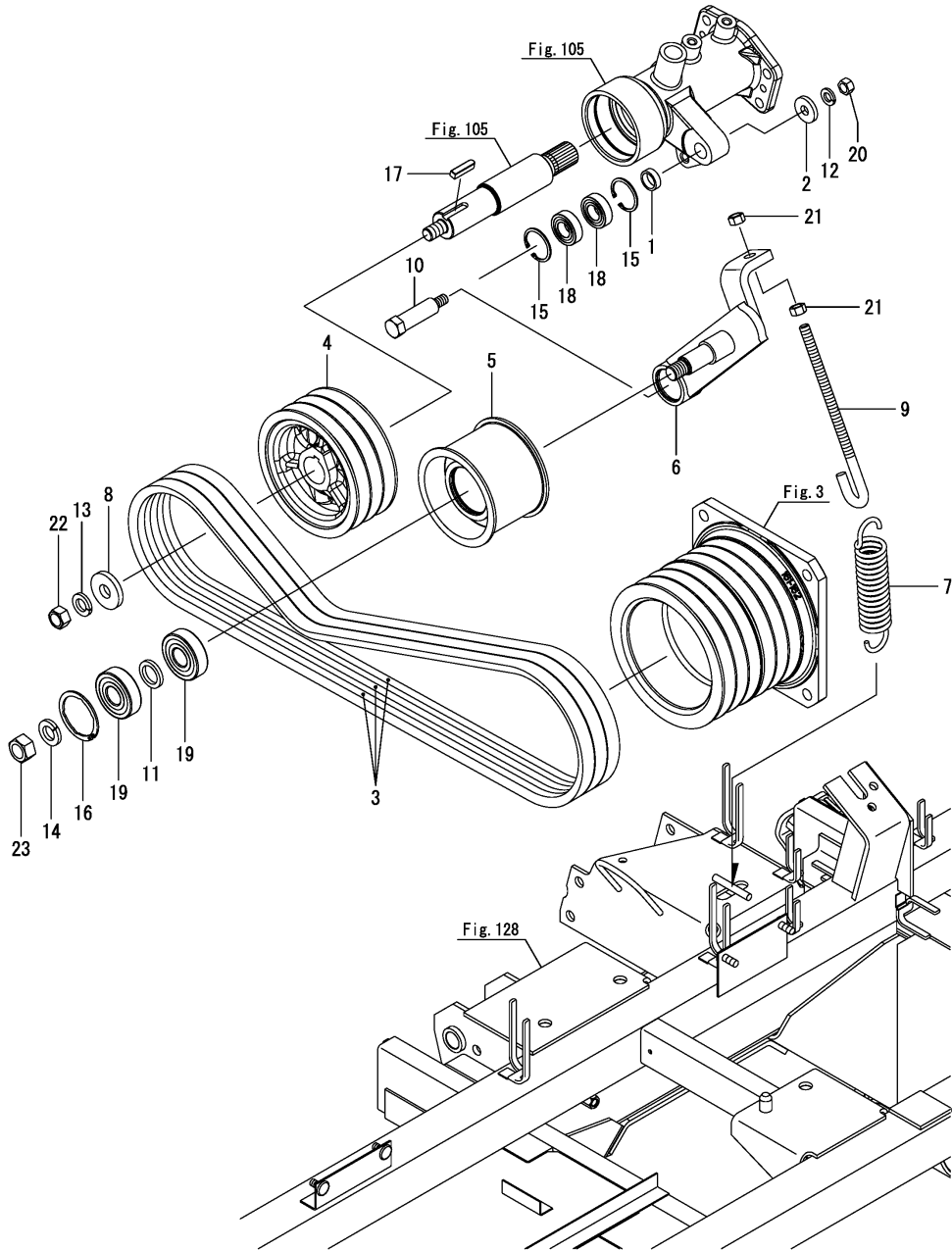


No.	Lev.	Parts No.	Description	Q'ty						I	R
				(A)	(B)	(C)	(D)	(E)	(F)		
1	1	1E8559-24150	COLLAR 17X22X6.6	1							
2	1	1E8559-29130	COLLAR, 10.5X28X4.5	1							
3	1	1E8300-35050	V-BELT, LB58-AG8	3							
4	1	1E6C45-51010	PULLEY, V 142-B3	1							
5	1	1E6B30-51040	ROLLER,100	1							
6	1	1E6B30-51051-1	ARM,TENSION 120	1							
7	1	1E6B30-51151	SPRING, 28X123	1							
8	1	1E9060-51720	PLATE, 15X40X6	1							
9	1	1E6B30-51800	SCREW,TENSION 10X185	1							
10	1	1E6B00-63070	BOLT, M10	1							
11	1	1E8559-73280	COLLAR 21*30*4	1							
12	1	22217-100000	WASHER, SPRING 10	1							
13	1	22217-140000	WASHER, SPRING 14	1							
14	1	22217-160000	WASHER, SPRING 16	1							
15	1	22252-000350	RING, 35	2							
16	1	22252-000521	RING, 52	1							
17	1	22551-070301	KEY 7X30	1							
18	1	24104-060034	BEARING, BALL 6003UU	2							
19	1	24104-063044	BEARING, BALL 6304UU	2							
20	1	26717-100002	NUT, M10	1							
21	1	26717-100002	NUT, M10	2							
22	1	26737-140002	NUT, M14	1							
23	1	26737-160002	NUT, M16	1							

Fig.88. TRAVEL DRIVE BELT

(A)=AW70V,SX-ID
 (B)=AW82V,SX-ID
 (C)=

(D)=
 (E)=
 (F)=

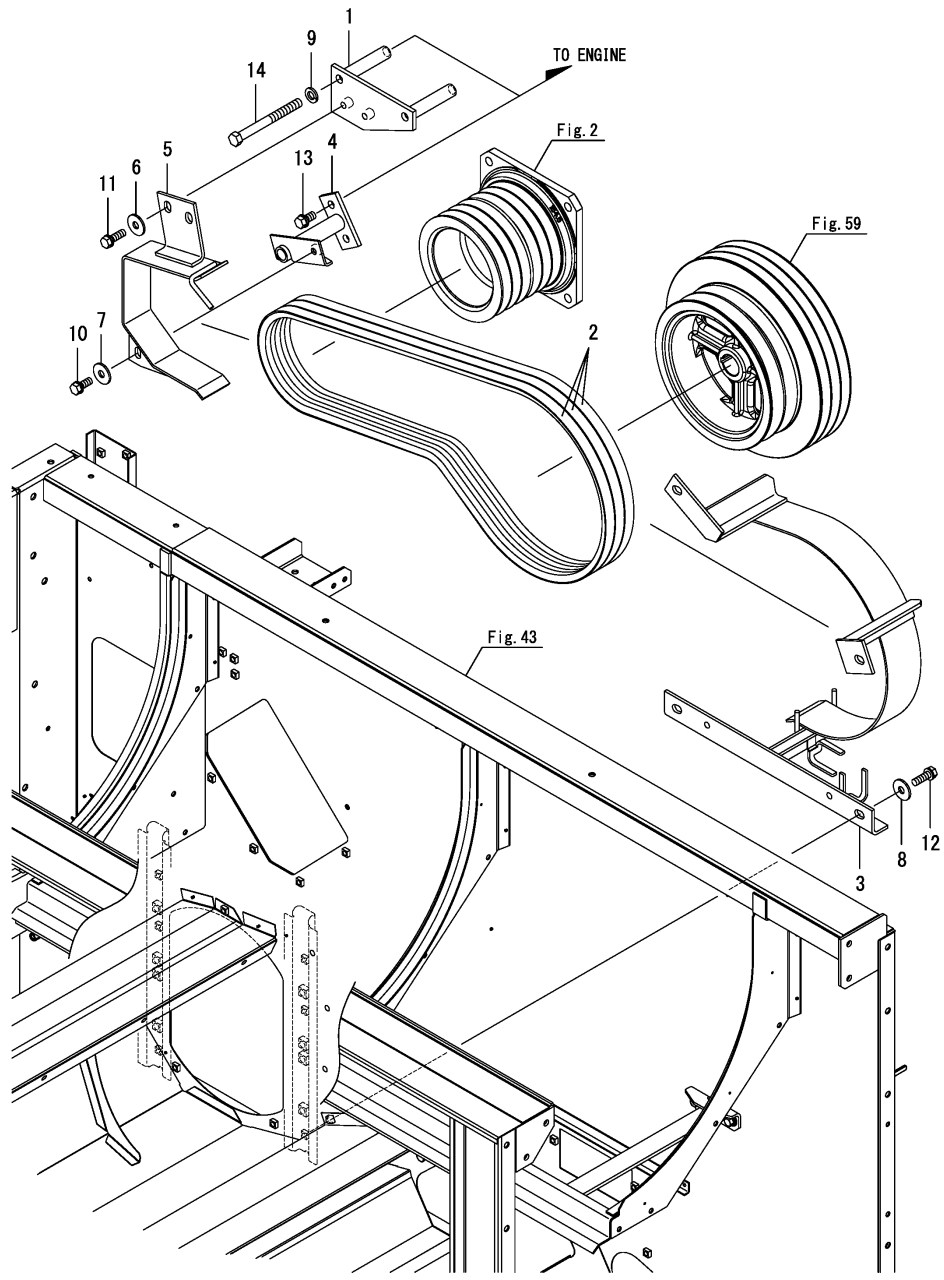


No.	Lev.	Parts No.	Description	Q'ty						I	R
				(A)	(B)	(C)	(D)	(E)	(F)		
1	1	1E8559-24150	COLLAR 17X22X6.6		1						
2	1	1E8559-29130	COLLAR, 10.5X28X4.5		1						
3	1	1E8300-35050	V-BELT, LB58-AG8		3						
4	1	1E6B30-51010	V-PULLY,140 B3		1						
5	1	1E6B30-51040	ROLLER,100		1						
6	1	1E6B30-51051-1	ARM,TENSION 120		1						
7	1	1E6B30-51151	SPRING, 28X123		1						
8	1	1E9060-51720	PLATE, 15X40X6		1						
9	1	1E6B30-51800	SCREW,TENSION 10X185		1						
10	1	1E6B00-63070	BOLT, M10		1						
11	1	1E8559-73280	COLLAR 21*30*4		1						
12	1	22217-100000	WASHER, SPRING 10		1						
13	1	22217-140000	WASHER, SPRING 14		1						
14	1	22217-160000	WASHER, SPRING 16		1						
15	1	22252-000350	RING, 35		2						
16	1	22252-000521	RING, 52		1						
17	1	22551-070301	KEY 7X30		1						
18	1	24104-060034	BEARING, BALL 6003UU		2						
19	1	24104-063044	BEARING, BALL 6304UU		2						
20	1	26717-100002	NUT, M10		1						
21	1	26717-100002	NUT, M10		2						
22	1	26737-140002	NUT, M14		1						
23	1	26737-160002	NUT, M16		1						

Fig.89. THRESH DRIVE BELT

(A)=AW70V,SX-ID
 (B)=AW82V,SX-ID
 (C)=

(D)=
 (E)=
 (F)=

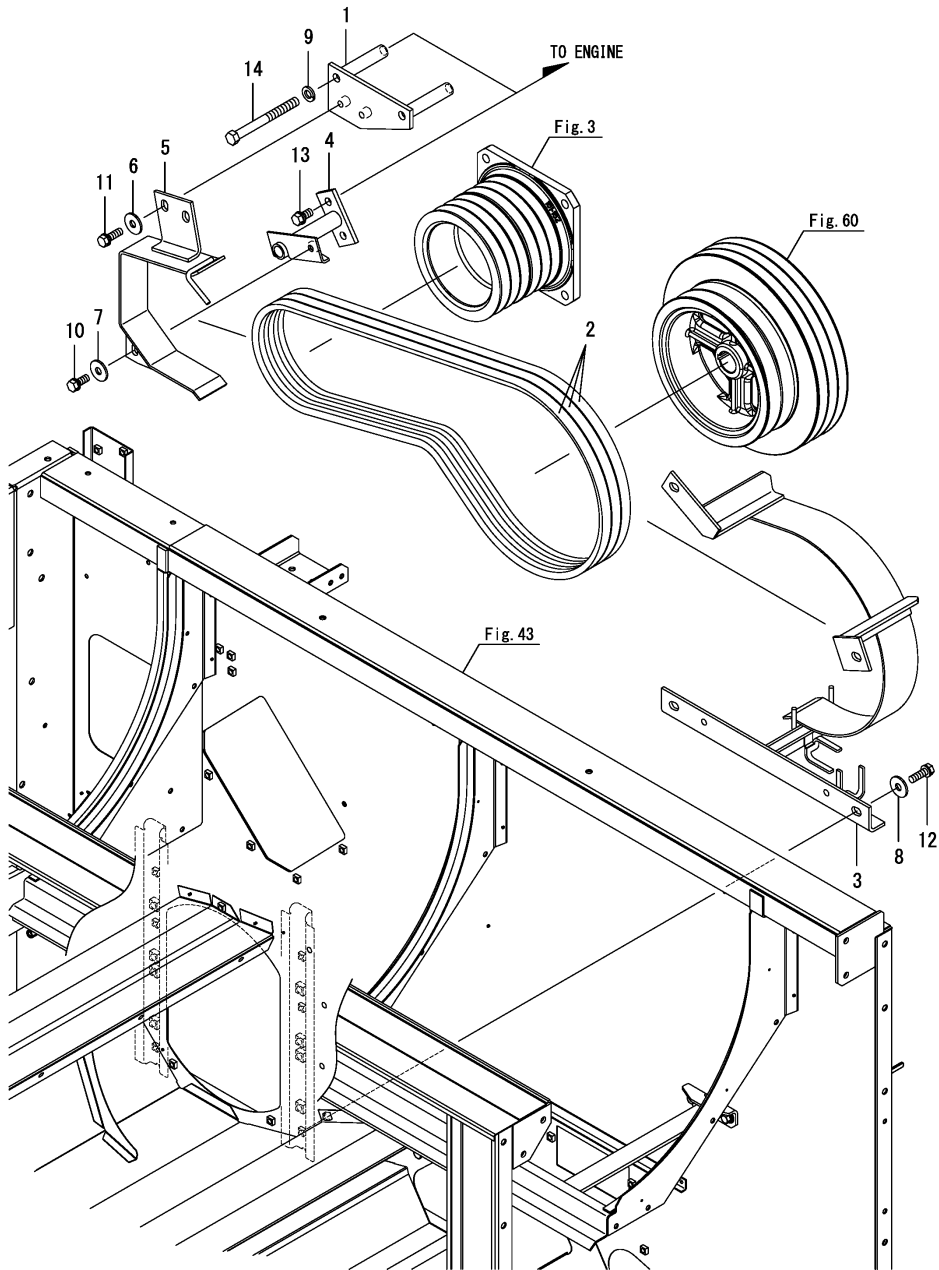


No.	Lev.	Parts No.	Description	Q'ty						I	R
				(A)	(B)	(C)	(D)	(E)	(F)		
1	1	1E6B30-51100	STAY,BELT RETAINER A	1							
2	1	1E6C80-51340	V-BELT,LB62 AG8	3							
3	1	1E6C80-51501	RETAINER,BELT REAR	1							
4	1	1E6C80-51600	STAY,BELT RETAINER B	1							
5	1	1E6C80-51700	RETAINER, BELT	1							
6	1	22157-080000	WASHER, 8	2							
7	1	22157-080000	WASHER, 8	1							
8	1	22157-080000	WASHER, 8	4							
9	1	22217-100000	WASHER, SPRING 10	2							
10	1	26013-080202	BOLT, M8X 20	1							
11	1	26013-080252	BOLT, M8X 25	2							
12	1	26013-080252	BOLT, M8X 25	4							
13	1	26013-100202	BOLT, M10X 20	2							
14	1	26116-101002	BOLT, M10X100 PLATED	2							

Fig.90. THRESH DRIVE BELT

(A)=AW70V,SX-ID
 (B)=AW82V,SX-ID
 (C)=

(D)=
 (E)=
 (F)=

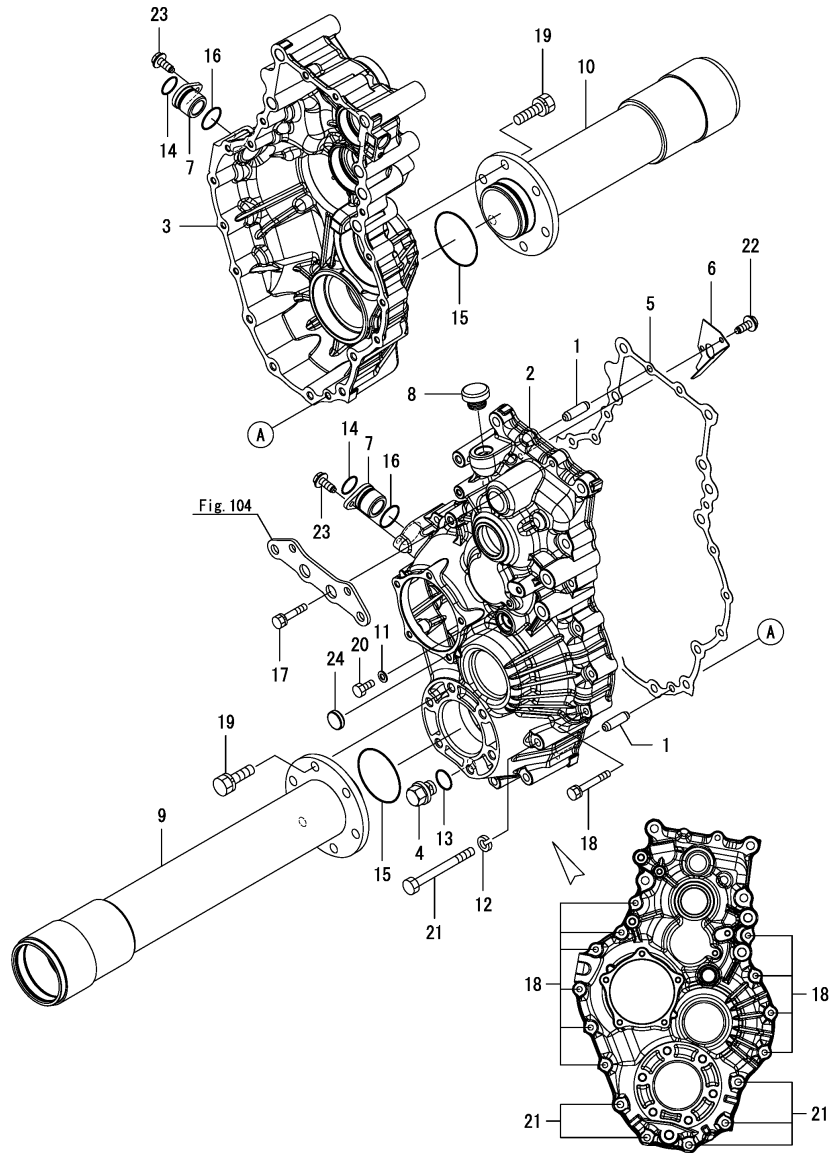


No.	Lev.	Parts No.	Description	Q'ty						I	R
				(A)	(B)	(C)	(D)	(E)	(F)		
1	1	1E6B30-51100	STAY,BELT RETAINER A		1						
2	1	1E6C80-51350	V-BELT,LB63 AG8		3						
3	1	1E6C80-51501	RETAINER,BELT REAR		1						
4	1	1E6C80-51600	STAY,BELT RETAINER B		1						
5	1	1E6C48-51700	RETAINER, BELT		1						
6	1	22157-080000	WASHER, 8		2						
7	1	22157-080000	WASHER, 8		1						
8	1	22157-080000	WASHER, 8		4						
9	1	22217-100000	WASHER, SPRING 10		2						
10	1	26013-080202	BOLT, M8X 20		1						
11	1	26013-080252	BOLT, M8X 25		2						
12	1	26013-080252	BOLT, M8X 25		4						
13	1	26013-100202	BOLT, M10X 20		2						
14	1	26116-101002	BOLT, M10X100 PLATED		2						

Fig.91. TRANSMISSION CASE

(A)=AW70V,SX-ID
 (B)=AW82V,SX-ID
 (C)=

(D)=
 (E)=
 (F)=



No.	Lev.	Parts No.	Description	Q'ty						I	R
				(A)	(B)	(C)	(D)	(E)	(F)		
1	1	1E8559-11060	PIN, PARALLEL 8X28	2	2						
2	1	1E6C40-53000	CASE, MISSION L	1	1						
3	1	1E6B00-53050	CASE R, MISSION	1	1						
4	1	1E6B00-53060	BOLT, DRAIN W/MAGNET	1	1						
5	1	1E9060-53080	PACKING,MISSION CASE	1	1						
6	1	1E6B00-53090	PLATE,PARTITION	1	1						
7	1	1E6B00-53350	BUSH, CLUTCH FORK	2	2						
8	1	1E6B00-53361	COVER, OIL 35	1	1						
9	1	1E6B30-53600	CASE,AXLE L	1	1						
10	1	1E6B30-53650	CASE,AXLE R	1	1						
11	1	22190-080000	WASHER, SEAL 8	1	1						
12	1	22217-100000	WASHER, SPRING 10	5	5						
13	1	24311-000160	O-RING, 1AP16.0	1	1						
14	1	24311-000210	O-RING, 1AP21.0	2	2						
15	1	24321-000700	O-RING, 1AG70.0	2	2						
16	1	24351-020280	O-RING 1A 2028	2	2						
17	1	26013-080402	BOLT, M8X 40	1	1						
18	1	26013-080552	BOLT, M8X 55	10	10						
19	1	26013-120402	BOLT, M12X 40	12	12						
20	1	26116-080162	BOLT, M8X 16 PLATED	1	1						
21	1	26116-101052	BOLT, M10X105 PLATED	5	5						
22	1	26476-060142	SCREW, TAPPING M6X14	2	2						
23	1	26476-060142	SCREW, TAPPING M6X14	2	2						
24	1	27260-250000	PLUG, 25	1	1						

Remarks
 * AW70V,SX-ID Transmission Assembly = 7E6C43-50500
 * AW82V,SX-ID Transmission Assembly = 7E6C43-50100

Fig.92. PARKING BRAKE

(A)=AW70V,SX-ID
 (B)=AW82V,SX-ID
 (C)=

(D)=
 (E)=
 (F)=

No.	Lev.	Parts No.	Description	Q'ty						I	R
				(A)	(B)	(C)	(D)	(E)	(F)		
1	1	1E8440-52013	BRAKE ASSY, PARKING	1	1						
2	2	1E8440-52020	COVER ASSY, BRAKE	1	1						
3	2	1E8235-52050	LEVER ASSY, CAM	1	1						
4	2	1E8235-52090	CAMSHAFT	1	1						
5	2	1E6480-52141	SHOE, BRAKE	2	2						
6	2	1E8235-52210	SPRING, 10X42	1	1						
7	2	1E8050-52230	DRUM, BRAKE	1	1						
8	2	1E9060-52280	PACKING, COVER	1	1						
9	2	1E6192-53660	RETURN SPRING,MAIN	1	1						
10	2	1E6650-54850	WASHER,LOCK	1	1						
11	2	24341-000125	O-RING, 1AS12.5	2	2						
12	2	26716-080002	NUT, M8	1	1						
13	1	22242-000180	RING, 18	1	1						
14	1	26013-080302	BOLT, M8X 30	4	4						

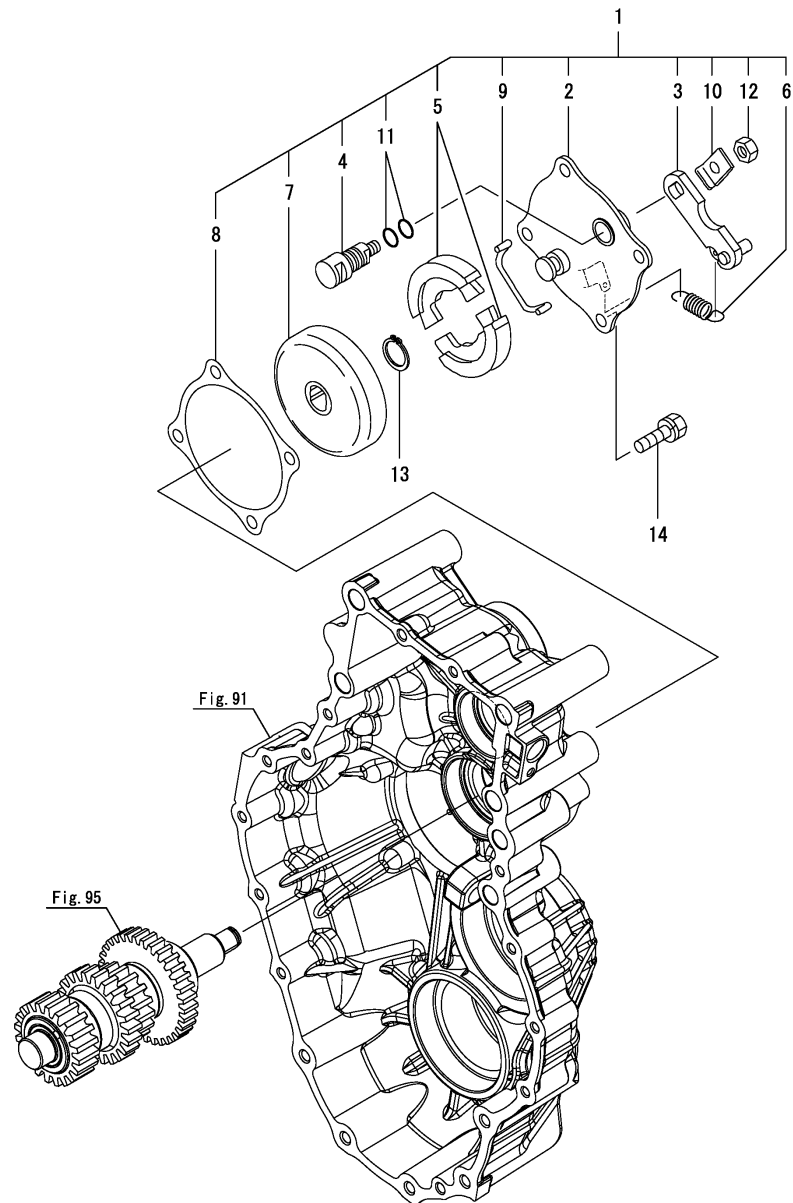


Fig.93. SIDE BRAKE

(A)=AW70V,SX-ID
 (B)=AW82V,SX-ID
 (C)=

(D)=
 (E)=
 (F)=

No.	Lev.	Parts No.	Description	Q'ty						I	R
				(A)	(B)	(C)	(D)	(E)	(F)		
1	1	7E6C40-52550	CASE ASSY, SIDE	2	2						
2	2	1E6B30-52410	CASE, SIDE BRAKE	2	2						
3	2	1E6B30-52450	PLATE, PRESSURE	2	2						
4	2	1E6B00-52460	CIRCLIP 98	2	2						
5	2	1E6B00-52480	PLATE B,PRESSURE	2	2						
6	2	1E6C40-52910	PLATE,FRICTION	18	18						
7	2	1E6B30-55110	PLATE, STEEL 2.0	18	18						
8	2	1E6C40-55550	BEARING, 6307H	2	2						
9	2	24321-000950	O-RING, 1AG95.0	2	2						
10	1	26013-080302	BOLT, M8X 30	10	10						

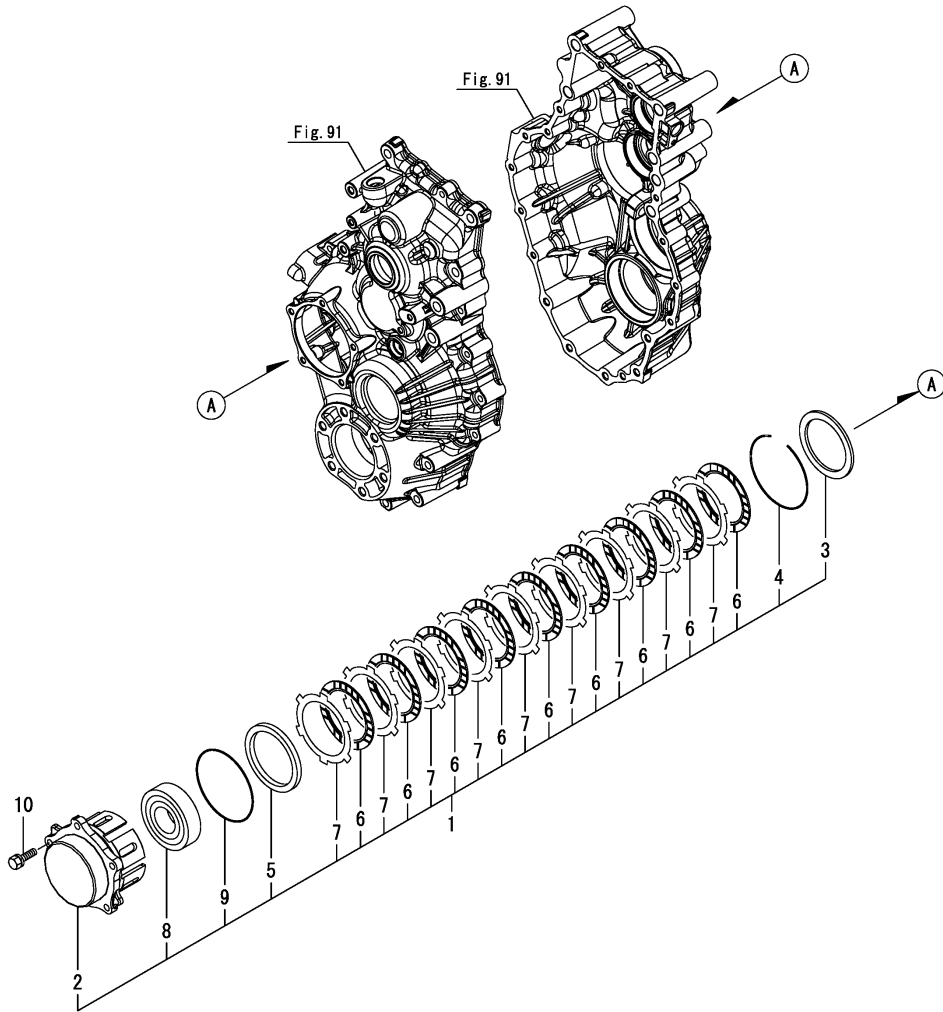
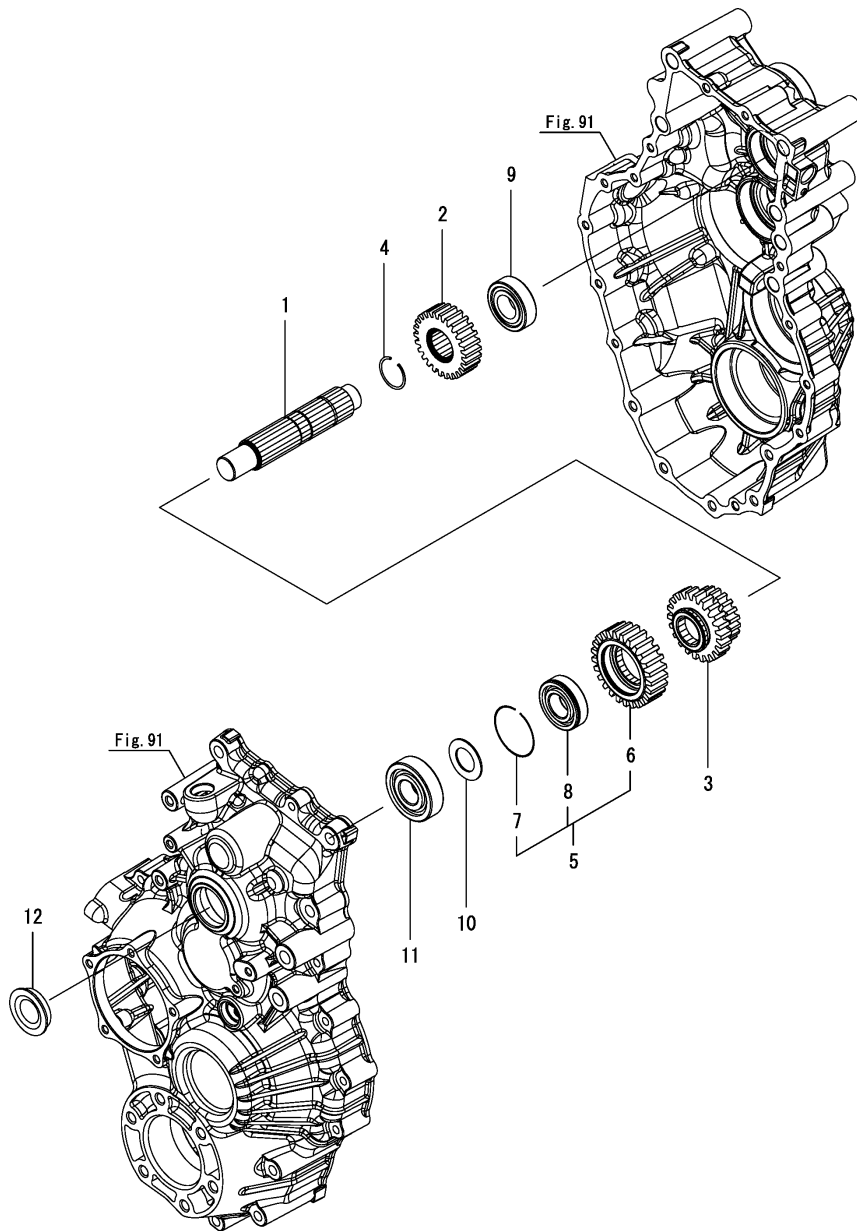


Fig.94. SHIFT SHAFT

(A)=AW70V,SX-ID
 (B)=AW82V,SX-ID
 (C)=

(D)=
 (E)=
 (F)=



No.	Lev.	Parts No.	Description	Q'ty						I	R
				(A)	(B)	(C)	(D)	(E)	(F)		
1	1	1E6B30-54411	SHAFT,CHANGE	1	1						
2	1	1E6B00-54420	GEAR,26	1	1						
3	1	1E6B30-54430	GEAR,22-20	1	1						
4	1	1E6B00-54440	CIRCLIP,31.7X2.3	1	1						
5	1	1E6B30-54440	GEAR ASSY,25	1	1						
6	2	1E6B30-54450	GEAR,25	1	1						
7	2	1C728C-54470	RING, SNAP 52	1	1						
8	2	1E9060-54480	BEARING, 6205RNSH2	1	1						
9	1	1E9060-54490	BEARING, NJ205E	1	1						
10	1	1E6B00-54560	LINER, 25X38X1.6	1	1						
11	1	1E8379-54580	BEARING 6305RSH2	1	1						
12	1	27260-420002	PLUG, 42	1	1						

Fig.95. BRAKE SHAFT

(A)=AW70V,SX-ID
 (B)=AW82V,SX-ID
 (C)=

(D)=
 (E)=
 (F)=

No.	Lev.	Parts No.	Description	Q'ty						I	R
				(A)	(B)	(C)	(D)	(E)	(F)		
1	1	1E6B30-54500	SHAFT ASSY,BRAKE	1	1						
2	1	1E8379-54580	BEARING 6305RSH2	2	2						
3	1	24423-254208	SEAL, OIL TC254208	1	1						

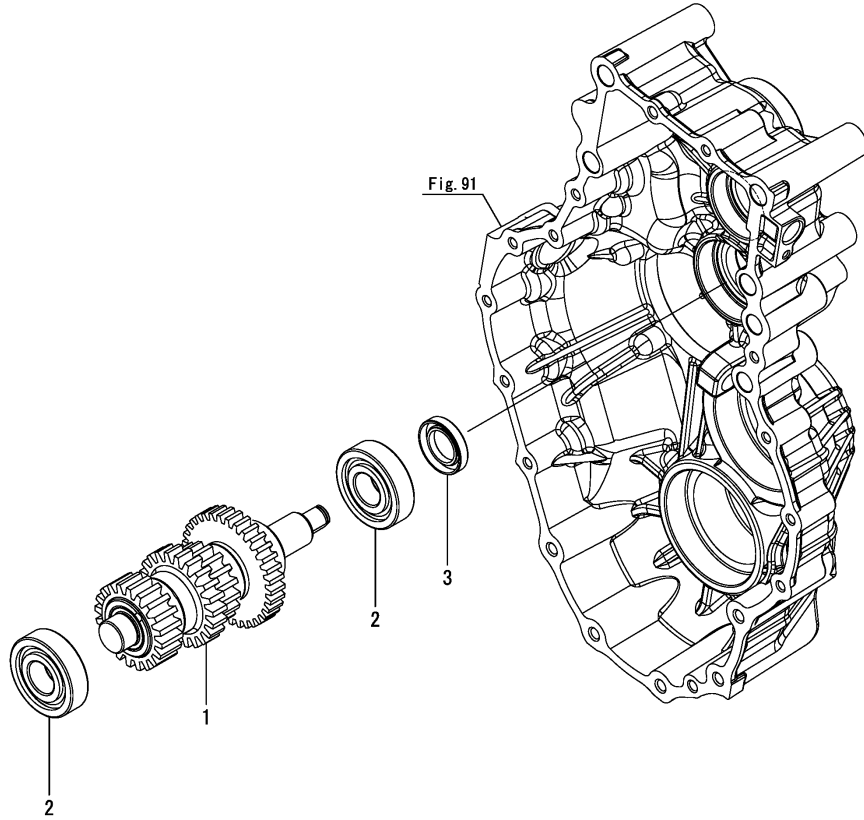
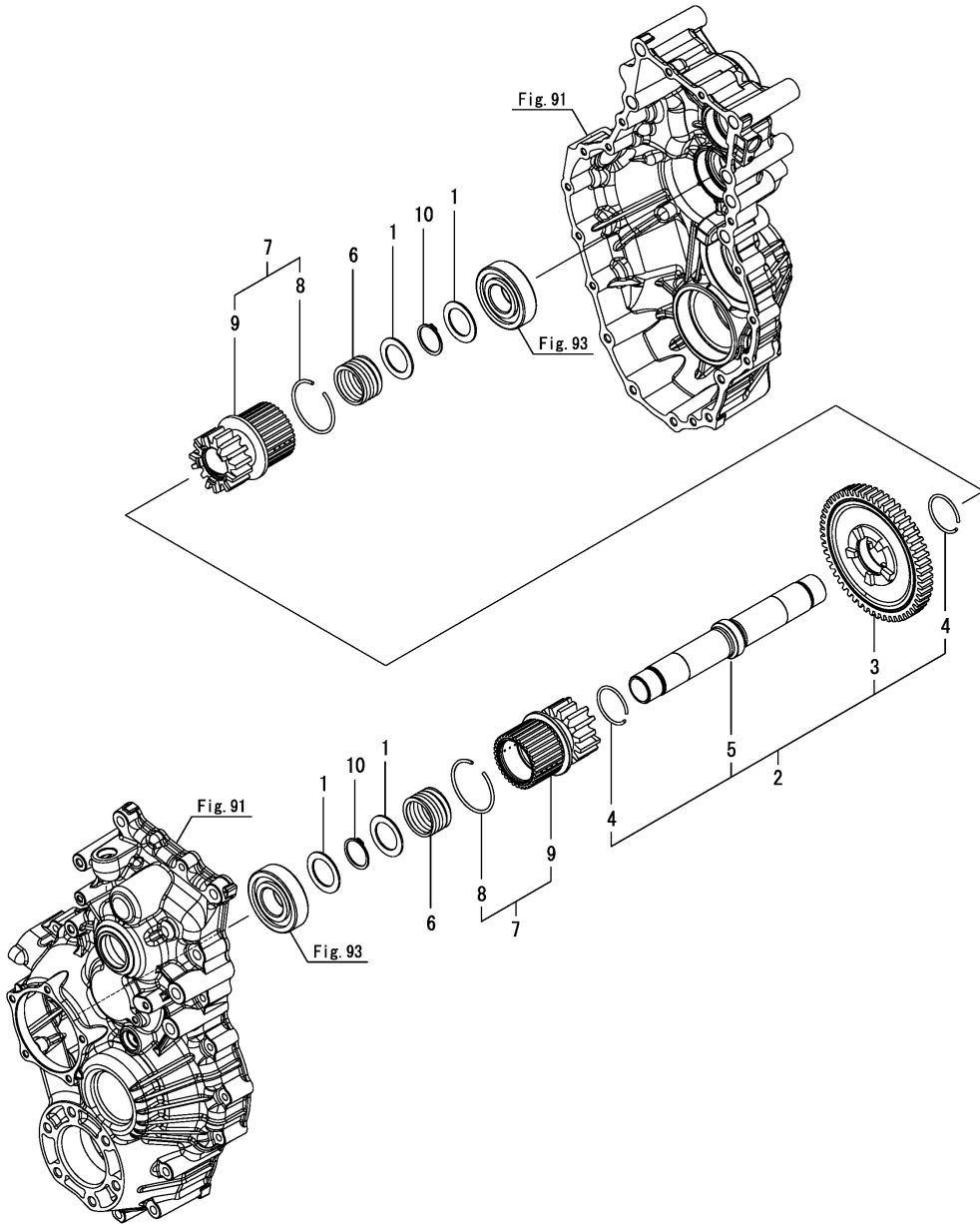


Fig.96. SIDE CLUTCH SHAFT

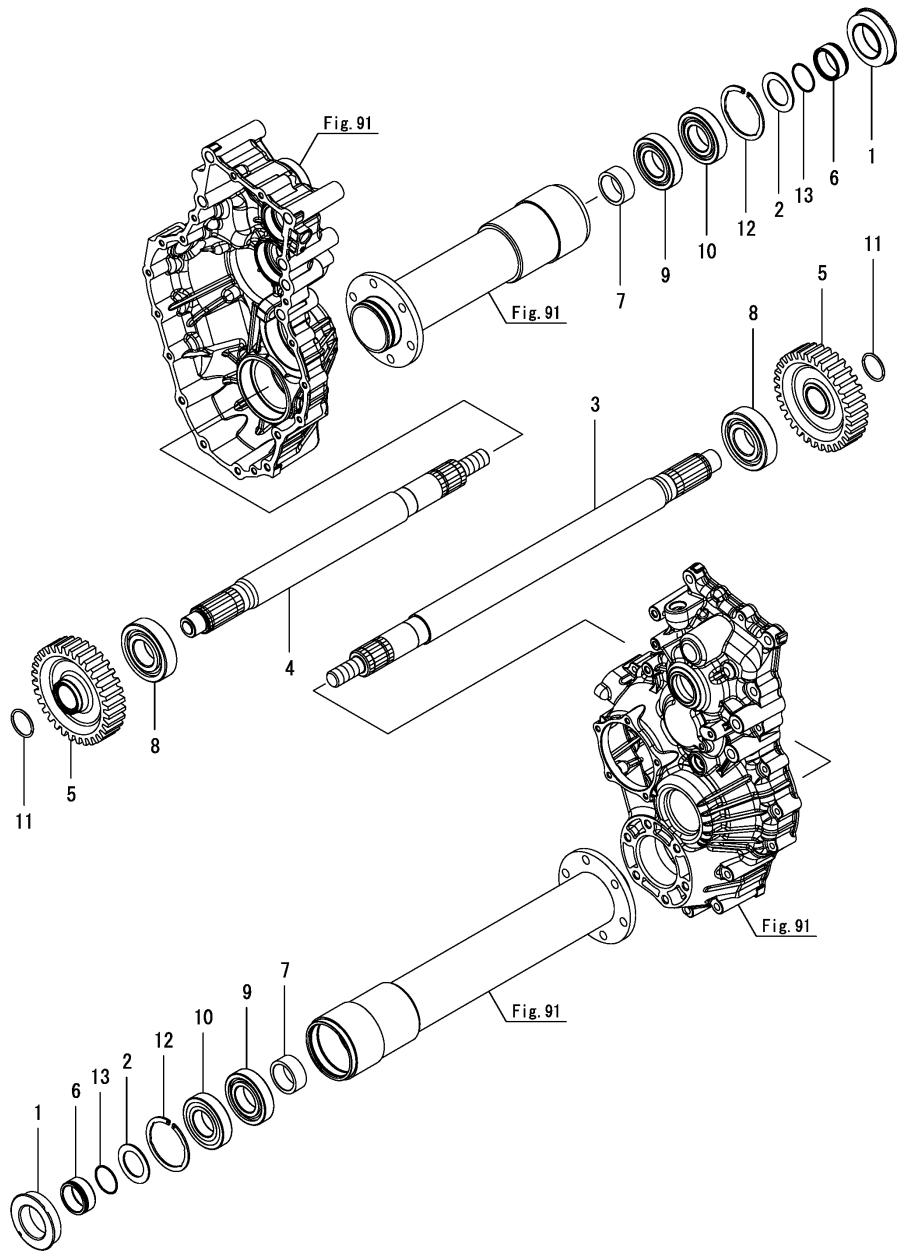
(A)=AW70V,SX-ID
 (B)=AW82V,SX-ID
 (C)=

(D)=
 (E)=
 (F)=



No.	Lev.	Parts No.	Description	Q'ty						I	R
				(A)	(B)	(C)	(D)	(E)	(F)		
1	1	1E6B00-55110	LINER, 35.5X52X2	4	4						
2	1	7E6B30-55120	SHAFT ASSY,SD CLUTCH	1	1						
3	2	1E6B30-55030	GEAR,SD.CLUTCH 54	1	1						
4	2	1E6B00-55090	RING, 46.6	2	2						
5	2	1E6B30-55121	SHAFT, SIDE CLUTCH	1	1						
6	1	1E6B30-55150	SPRING,SIDE CLUTCH	2	2						
7	1	7E6B30-55300	GEAR ASSY, SD.CLUTCH	2	2						
8	2	1E6B00-55140	RING 62 X 3.5	2	2						
9	2	1E6B30-55300	GEAR ASSY, SD.CLUTCH	2	2						
10	1	22242-000350	RING, 35	2	2						

Fig.98. AXLE SHAFT



(A)=AW70V,SX-ID
(B)=AW82V,SX-ID
(C)=

(D)=
(E)=
(F)=

No.	Lev.	Parts No.	Description	Q'ty						I	R
				(A)	(B)	(C)	(D)	(E)	(F)		
1	1	1B1604-14840	SEAL, QLFY508014.5	2	2						
2	1	1E6B00-55380	WASHER, 40X60X2.3	2	2						
3	1	1E6C40-55410	SHAFT,AXLE L	1	1						
4	1	1E6C40-55420	SHAFT,AXLE R	1	1						
5	1	1E6B30-55430	GEAR,FINAL 32	2	2						
6	1	1E6B00-55450	COLLAR,SEAL 40X50X21	2	2						
7	1	1E6B00-55470	PIPE 40X50X21	2	2						
8	1	1E9060-55490	BEARING, 6308RSH2	2	2						
9	1	1E9060-55560	BEARING, 6208 SH2	2	2						
10	1	1E9060-55570	BEARING, 6208 RSSH2	2	2						
11	1	22207-040320	RING, 40X3.2	2	2						
12	1	22252-000801	CIRCLIP 80-H	2	2						
13	1	24341-000400	O-RING, 1AS40.0	2	2						

Fig.99. SUB SHIFT

(A)=AW70V,SX-ID
 (B)=AW82V,SX-ID
 (C)=

(D)=
 (E)=
 (F)=

No.	Lev.	Parts No.	Description	Q'ty						I	R
				(A)	(B)	(C)	(D)	(E)	(F)		
1	1	1E8809-13010	SPRING, FORK	1	1						
2	1	1E6B00-56110	SHAFT, CHANGE FORK	1	1						
3	1	1E6B00-56120	FORK,SUBSPEED CHANGE	1	1						
4	1	1E6B00-56130	SHIFTER ASSY,S-CHANG	1	1						
5	1	1E6B00-56200	ARM ASSY,SUB-CHANGE	1	1						
6	1	1E6B00-62350	STOPPER, TENS.SHAFT	1	1						
7	1	22351-035032	PIN, SPRING 3.5X32	1	1						
8	1	22351-060032	PIN, SPRING 6.0X32	1	1						
9	1	24190-100002	BALL, STEEL 5/16	1	1						
10	1	24311-000140	O-RING, 1AP14.0	1	1						
11	1	26476-060142	SCREW, TAPPING M6X14	1	1						

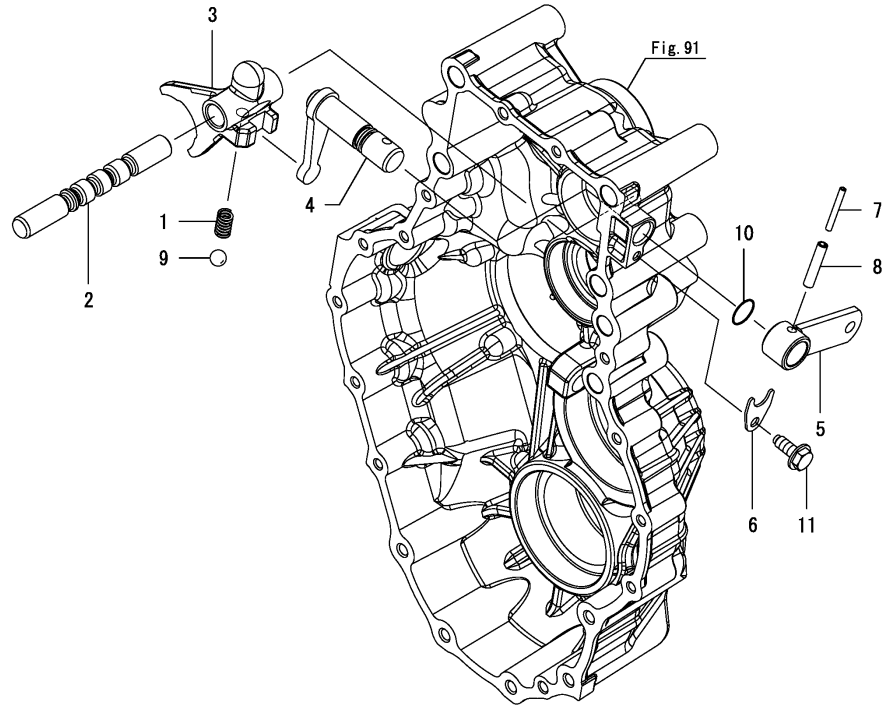


Fig.100. SIDE CLUTCH

(A)=AW70V,SX-ID
 (B)=AW82V,SX-ID
 (C)=

(D)=
 (E)=
 (F)=

No.	Lev.	Parts No.	Description	Q'ty						I	R
				(A)	(B)	(C)	(D)	(E)	(F)		
1	1	1E6B00-56300	FORK, SIDE CLUTCH	2	2						
2	1	1E6B00-56310	PIN, PRESSURE	4	4						
3	1	1E9063-56320	SLIDER, FORK	4	4						
4	1	1E6B00-56400	LEVER ASSY,SC.CLTCH	2	2						
5	1	22157-100000	WASHER, 10	2	2						
6	1	22217-100000	WASHER, SPRING 10	2	2						
7	1	26346-100002	NUT, M10	2	2						

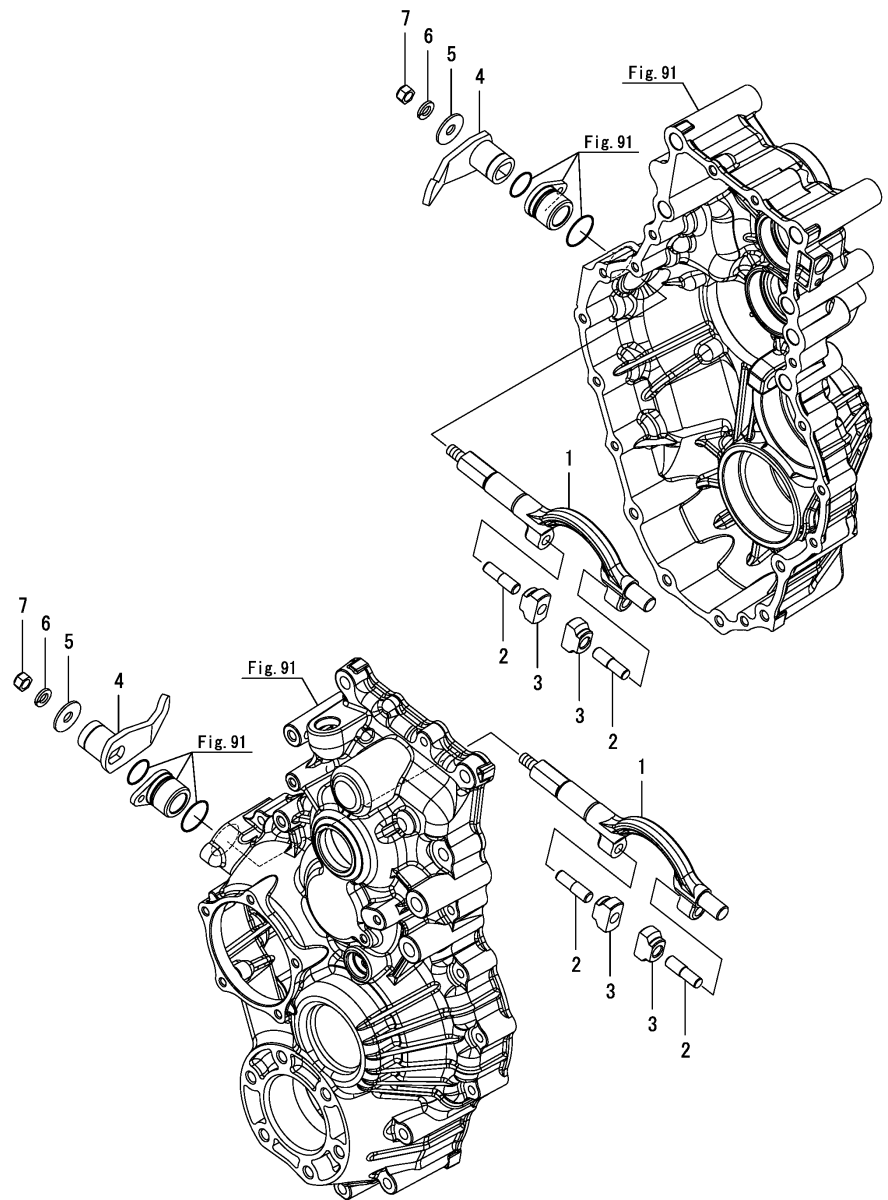
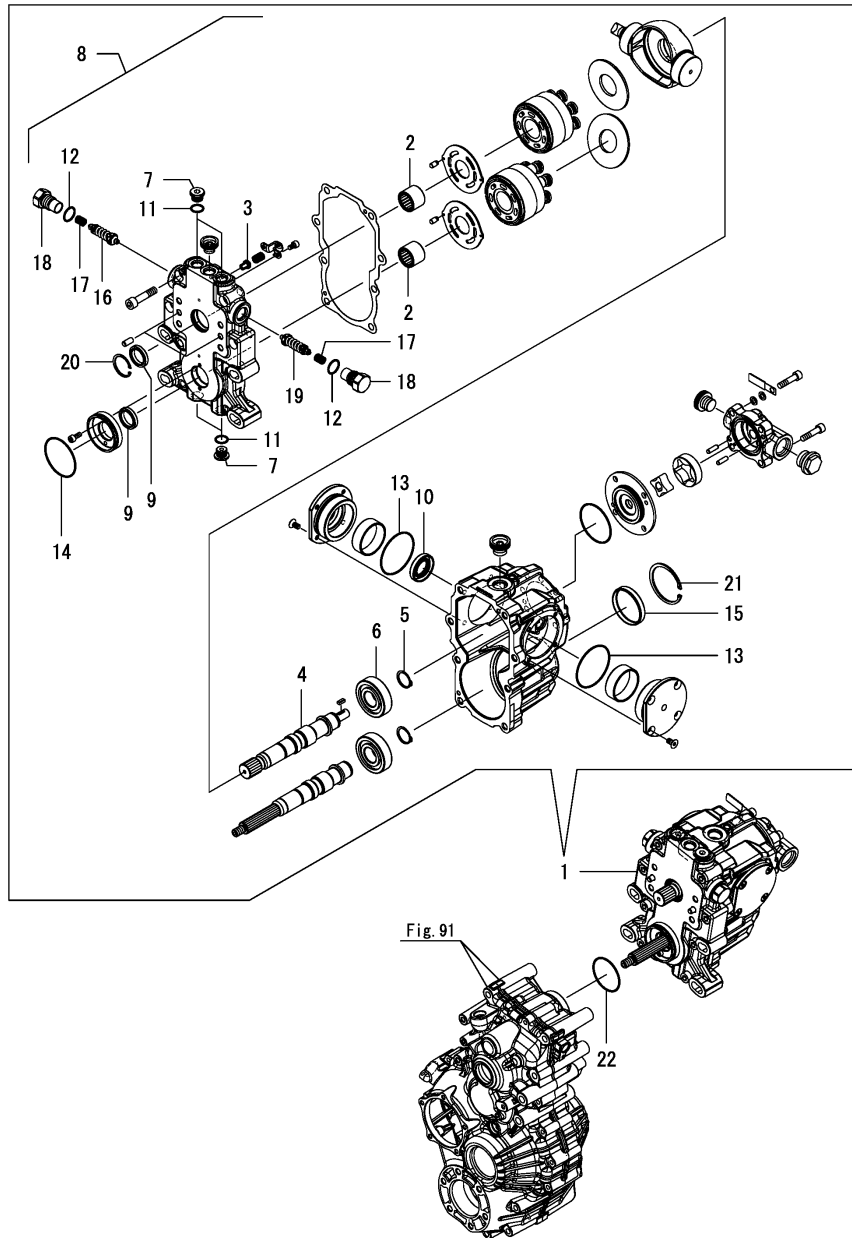


Fig.101. H.S.T.



(A)=AW70V,SX-ID
 (B)=AW82V,SX-ID
 (C)=

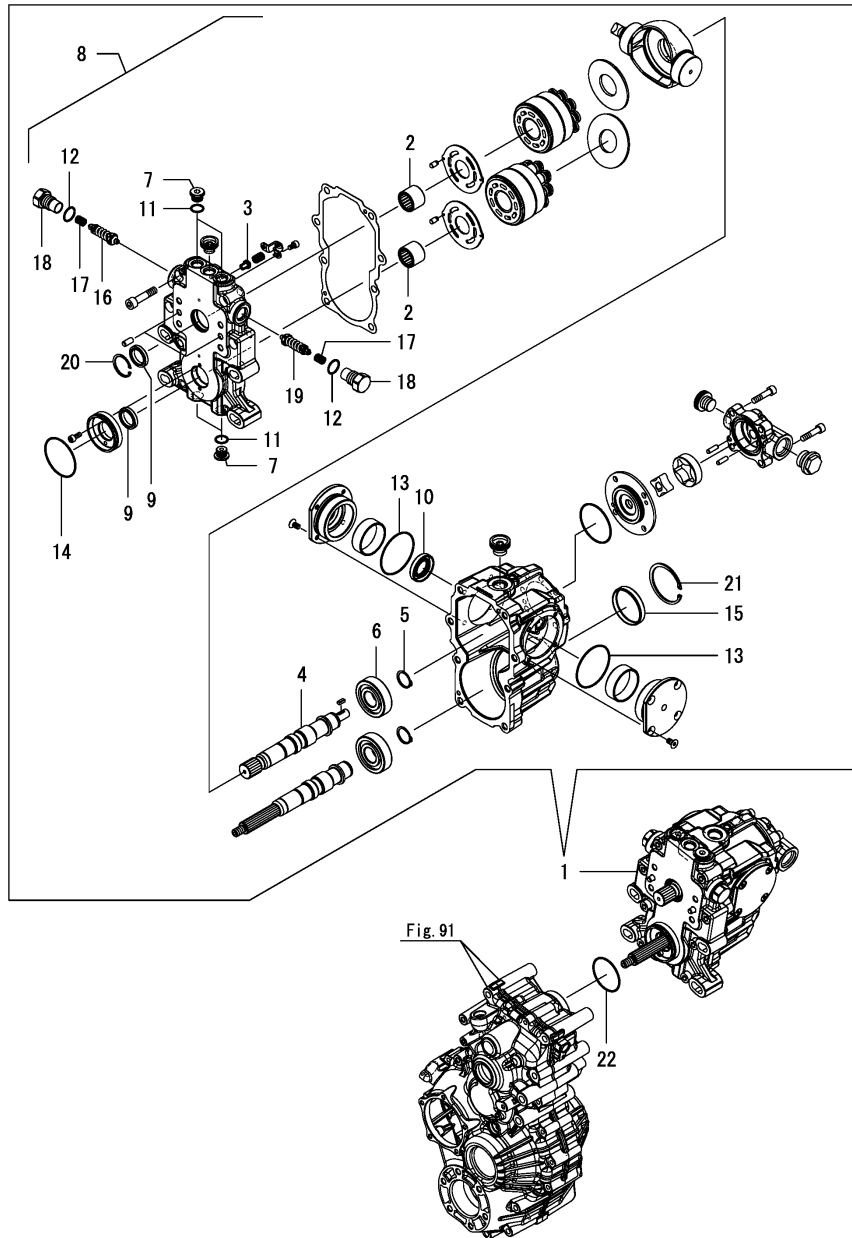
(D)=
 (E)=
 (F)=

No.	Lev.	Parts No.	Description	Q'ty						I	R
				(A)	(B)	(C)	(D)	(E)	(F)		
1	1	168HM7-29020	HST ASSY , MT-30UD1	1							
2	2	158830-85070	BEARING, NEEDLE	2							
3	2	168HQ0-85710	VALVE	1							
4	2	168HN5-29210	PUMP SHAFT	1							
5	2	22242-000250	RING, 25	1							
6	2	24101-063050	BEARING, BALL 6305C3	1							
7	2	1A6750-29850	PLUG, G3/8	4							
8	2	168HM7-29910	SEAL KIT	1							
9	3	168HM7-29180	OIL SEAL TCV253506	2							
10	3	158805-85420	SEAL,25X45X8	1							
11	3	24315-000140	O-RING, 1BP14.0	4							
12	3	24315-000180	O-RING, 1BP18.0	2							
13	3	24321-000650	O-RING, 1AG65.0	2							
14	3	24341-000550	O-RING, 1AS55.0	1							
15	3	27260-620000	PLUG, 62	1							
16	2	158856-85502	VALVE ASSY, RELIFE	1							
17	2	168HP1-85570	SPRING(CHECK VALVE	2							
18	2	158856-85580	PLUG PE1/2A	2							
19	2	158856-85702	VALVE ASSY, RELIEF	1							
20	2	22252-000360	RING, 36	1							
21	2	22252-000650	RING, 65	1							
22	1	24341-000560	O-RING, 1AS56.0	1							

Fig.102. H.S.T.

(A)=AW70V,SX-ID
 (B)=AW82V,SX-ID
 (C)=

(D)=
 (E)=
 (F)=

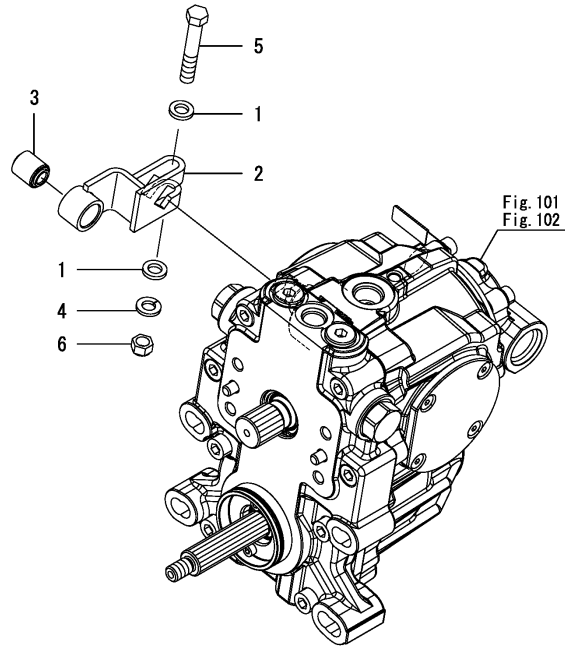


No.	Lev.	Parts No.	Description	Q'ty						I	R
				(A)	(B)	(C)	(D)	(E)	(F)		
1	1	168HN6-29020	HST ASSY, MT-38UCB1		1						
2	2	158830-85070	BEARING, NEEDLE		2						
3	2	168HQ0-85710	VALVE		1						
4	2	168HN5-29210	PUMP SHAFT		1						
5	2	22242-000250	RING, 25		1						
6	2	24101-063050	BEARING, BALL 6305C3		1						
7	2	1A6750-29850	PLUG, G3/8		4						
8	2	168HM7-29910	SEAL KIT		1						
9	3	168HM7-29180	OIL SEAL TCV253506		2						
10	3	158805-85420	SEAL,25X45X8		1						
11	3	24315-000140	O-RING, 1BP14.0		4						
12	3	24315-000180	O-RING, 1BP18.0		2						
13	3	24321-000650	O-RING, 1AG65.0		2						
14	3	24341-000550	O-RING, 1AS55.0		1						
15	3	27260-620000	PLUG, 62		1						
16	2	158810-85503	VALVE ASSY, RELIEF		1						
17	2	168HP1-85570	SPRING(CHECK VALVE		2						
18	2	158856-85580	PLUG PE1/2A		2						
19	2	158810-85703	VALVE ASSY, RELIEF		1						
20	2	22252-000360	RING, 36		1						
21	2	22252-000650	RING, 65		1						
22	1	24341-000560	O-RING, 1AS56.0		1						

Fig.103. TRUNNION ARM

(A)=AW70V,SX-ID
 (B)=AW82V,SX-ID
 (C)=

(D)=
 (E)=
 (F)=



No.	Lev.	Parts No.	Description	Q'ty						I	R
				(A)	(B)	(C)	(D)	(E)	(F)		
1	1	1E8530-42900	WASHER, 10.5X18X3	2	2						
2	1	1E6B00-52800	ARM, TRUNNION	1	1						
3	1	1E6B00-52840	BUSH, 10X20X24	1	1						
4	1	22217-100000	WASHER, SPRING 10	1	1						
5	1	26116-100602	BOLT, M10X 60 PLATED	1	1						
6	1	26346-100002	NUT, M10	1	1						

Fig.104. H.S.T. MOUNT

(A)=AW70V,SX-ID
 (B)=AW82V,SX-ID
 (C)=

(D)=
 (E)=
 (F)=

No.	Lev.	Parts No.	Description	Q'ty						I	R
				(A)	(B)	(C)	(D)	(E)	(F)		
1	1	1E6B00-53180	PLATE, CONNECT	1	1						
2	1	22137-120000	WASHER, 12	4	4						
3	1	22217-120000	WASHER, SPRING 12	4	4						
4	1	26116-121802	BOLT, M12X180 PLATED	3	3						
5	1	26116-122002	BOLT, M12X200 PLATED	1	1						
6	1	26716-120002	NUT, M12	4	4						

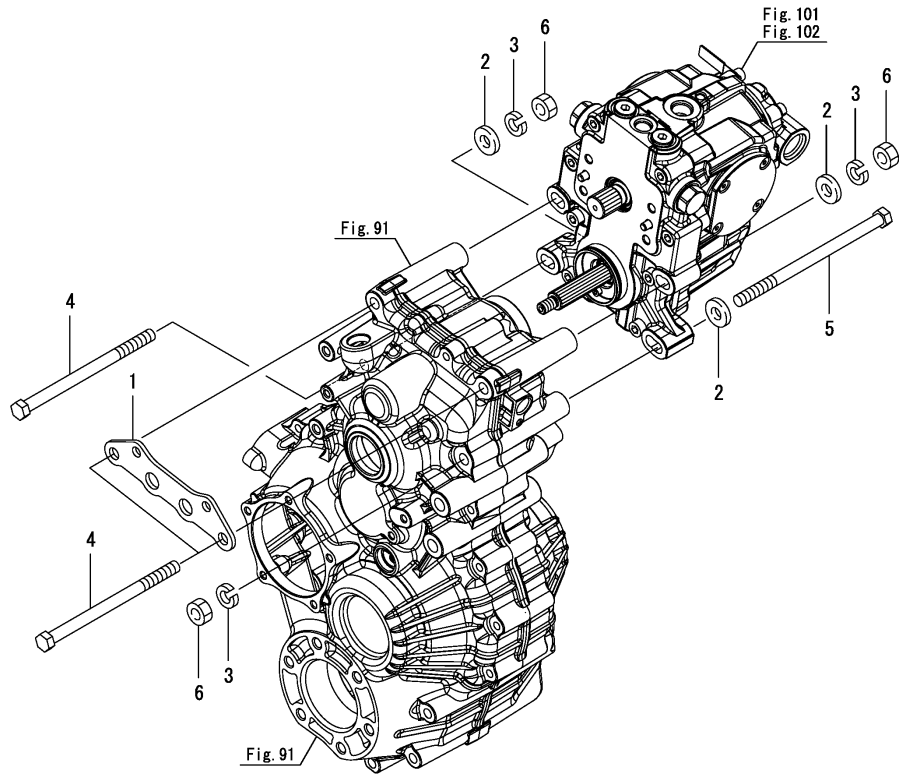


Fig.106. MAIN SHAFT

(A)=AW70V,SX-ID
 (B)=AW82V,SX-ID
 (C)=

(D)=
 (E)=
 (F)=

No.	Lev.	Parts No.	Description	Q'ty						I	R
				(A)	(B)	(C)	(D)	(E)	(F)		
1	1	1E9300-54320	BEARING, NJ206R	1	1						
2	1	1E8555-54330	WASHER, 12X30X4.5	1	1						
3	1	1E9062-54330	GEAR,22	1	1						
4	1	1E8555-54340	NUT, HARD LOCK 12	1	1						

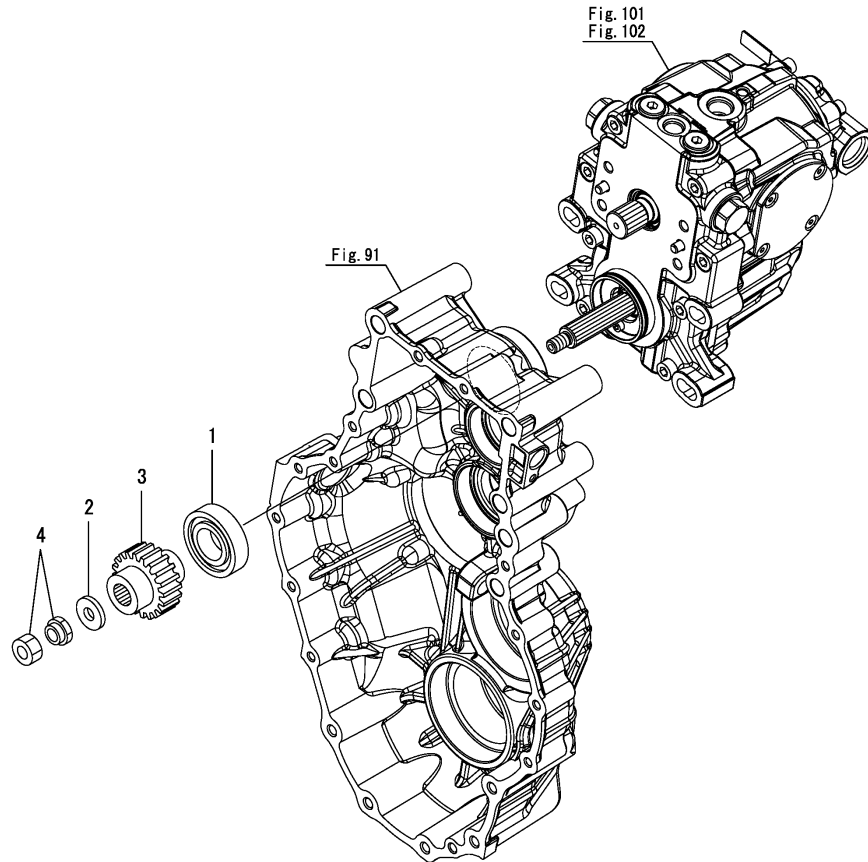
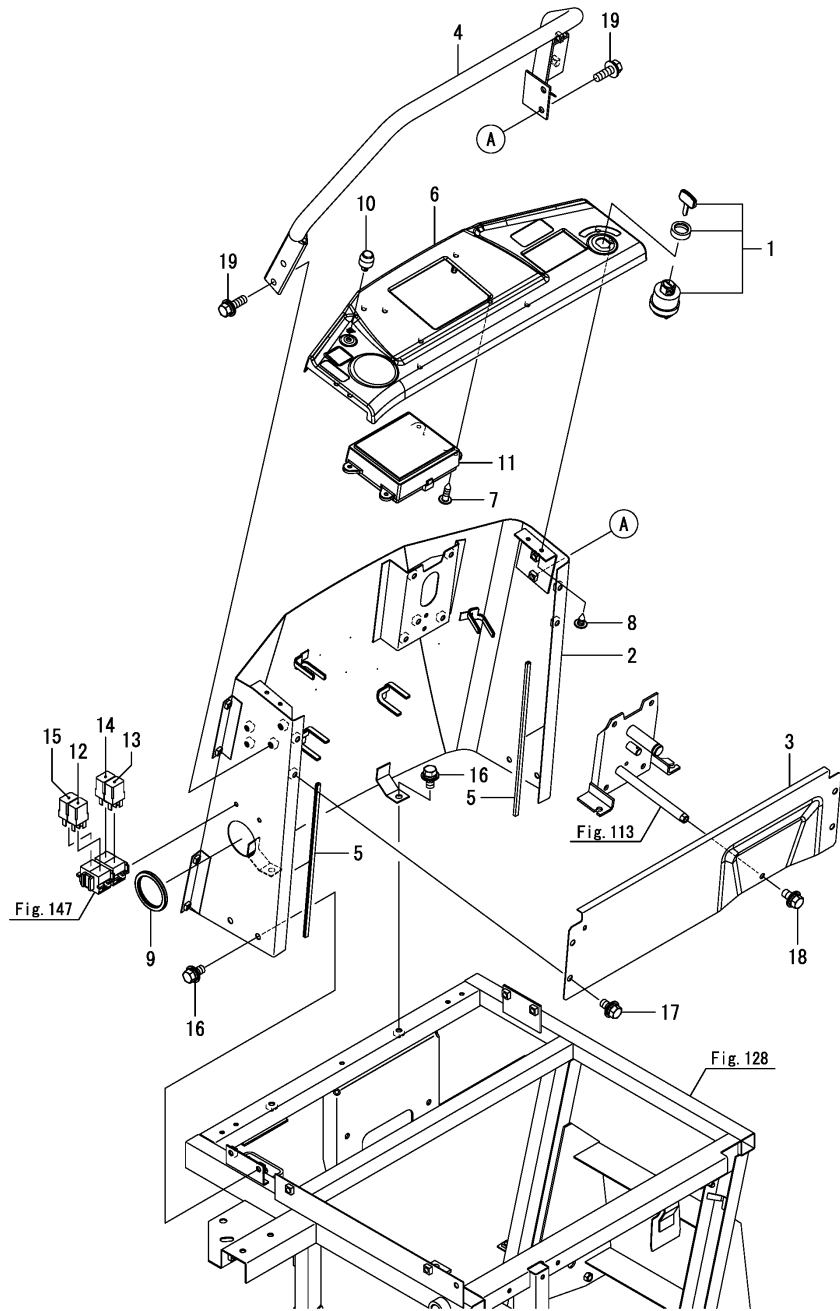


Fig.107. FRONT COLUMN

(A)=AW70V,SX-ID
 (B)=AW82V,SX-ID
 (C)=

(D)=
 (E)=
 (F)=

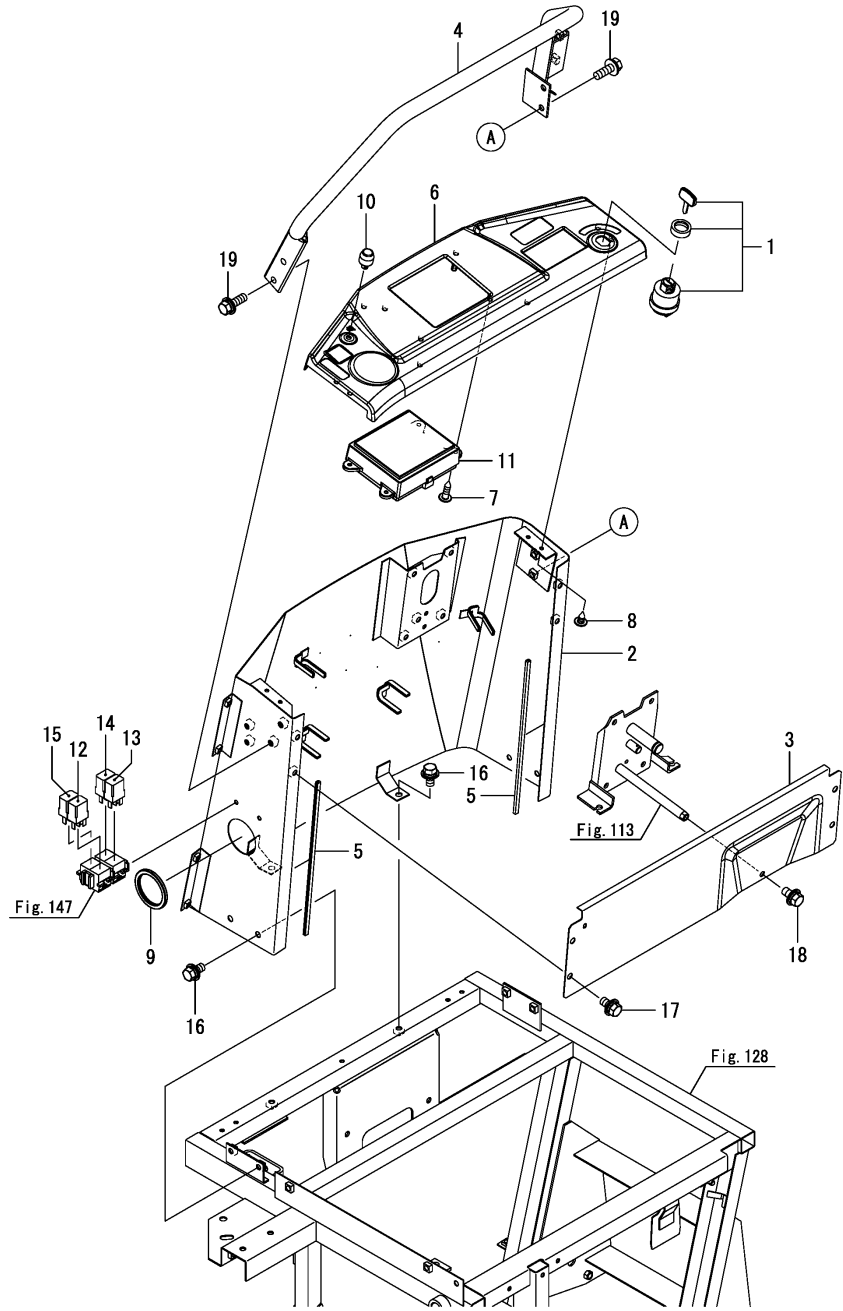


No.	Lev.	Parts No.	Description	Q'ty						I	R
				(A)	(B)	(C)	(D)	(E)	(F)		
1	1	1C7020-06400	SWITCH ASSY, KEY	1							
2	1	1E6C40-61000-1	COLUMN,FRONT	1							
3	1	1E6C40-61190-1	STAY,COLUMN REAR	1							
4	1	1E6B30-61301	PIPE,FRONT ASSIST	1							
5	1	1E6B30-61350	MOLDINGS, 300	2							
6	1	1E6C45-61360	PANEL,FRONT	1							
7	1	1E6B30-61410	SCREW, 5X20	4							
8	1	1E6C40-61410	SCREW, 5X15	4							
9	1	1E8559-61970	MOLD 135	1							
10	1	1E8665-81300	SWITCH, BUZZER STOP	1							
11	1	1E6B35-82300	METER,COMBINATION	1							
12	1	1E9256-82600	RELAY, ISO 20A	1							
13	1	1E9256-82600	RELAY, ISO 20A	1							
14	1	1E9256-82600	RELAY, ISO 20A	1							
15	1	1E9256-82600	RELAY, ISO 20A	1							
16	1	26014-080162	BOLT, M8X 16	6							
17	1	26014-080162	BOLT, M8X 16	4							
18	1	26014-080162	BOLT, M8X 16	1							
19	1	26014-080252	BOLT, M8X 25	4							

Fig.108. FRONT COLUMN

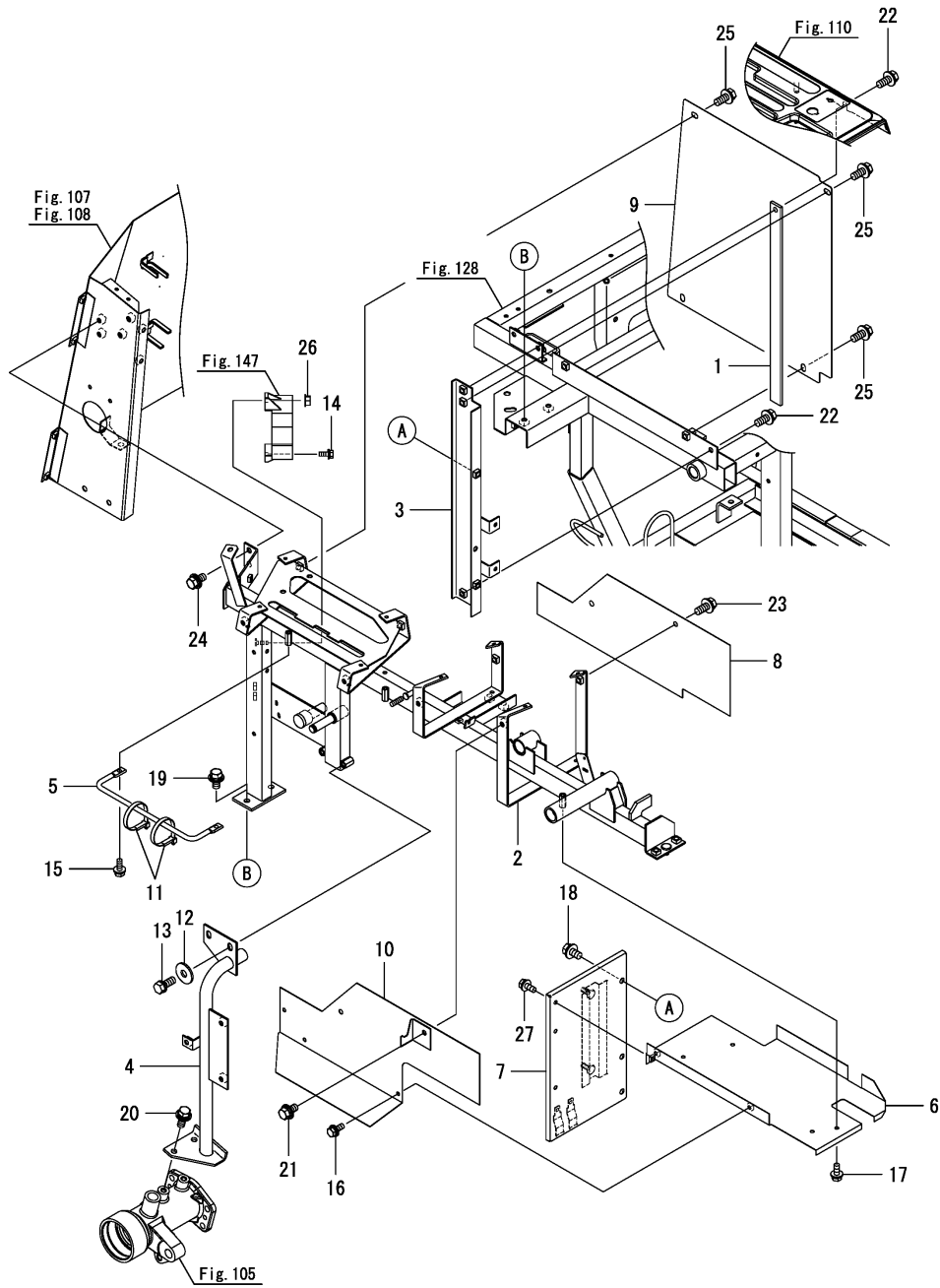
(A)=AW70V,SX-ID
 (B)=AW82V,SX-ID
 (C)=

(D)=
 (E)=
 (F)=



No.	Lev.	Parts No.	Description	Q'ty						I	R
				(A)	(B)	(C)	(D)	(E)	(F)		
1	1	1C7020-06400	SWITCH ASSY, KEY		1						
2	1	1E6C40-61000-1	COLUMN,FRONT		1						
3	1	1E6C40-61190-1	STAY,COLUMN REAR		1						
4	1	1E6B30-61301	PIPE,FRONT ASSIST		1						
5	1	1E6B30-61350	MOLDINGS, 300		2						
6	1	1E6C45-61360	PANEL,FRONT		1						
7	1	1E6B30-61410	SCREW, 5X20		4						
8	1	1E6C40-61410	SCREW, 5X15		4						
9	1	1E8559-61970	MOLD 135		1						
10	1	1E8665-81300	SWITCH, BUZZER STOP		1						
11	1	1E6B30-82300	METER,COMBINATION		1						
12	1	1E9256-82600	RELAY, ISO 20A		1						
13	1	1E9256-82600	RELAY, ISO 20A		1						
14	1	1E9256-82600	RELAY, ISO 20A		1						
15	1	1E9256-82600	RELAY, ISO 20A		1						
16	1	26014-080162	BOLT, M8X 16		6						
17	1	26014-080162	BOLT, M8X 16		4						
18	1	26014-080162	BOLT, M8X 16		1						
19	1	26014-080252	BOLT, M8X 25		4						

Fig.109. FRAME(SIDE COLUMN)



(A)=AW70V,SX-ID
(B)=AW82V,SX-ID
(C)=

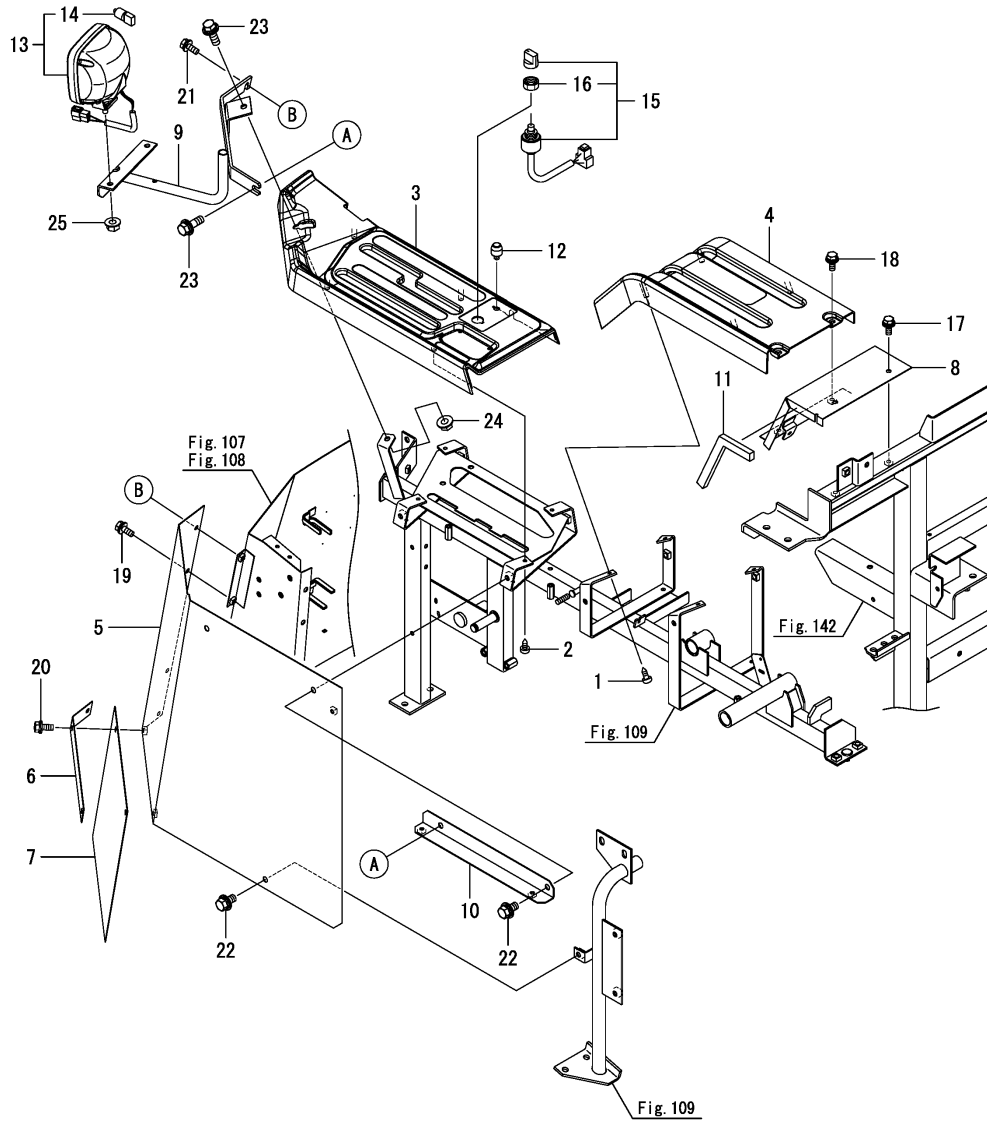
(D)=
(E)=
(F)=

No.	Lev.	Parts No.	Description	Q'ty						I	R
				(A)	(B)	(C)	(D)	(E)	(F)		
1	1	1E9060-61420	SEAL, 25X425	1	1						
2	1	1E6C43-61500	FRAME,SIDE COLUMN	1	1						
3	1	1E6C40-61870	BRACKET,COLUMN	1	1						
4	1	1E6C40-61900	BRACKET,FULCRUM	1	1						
5	1	1E6B30-61990	GUIDE,HARNESS	1	1						
6	1	1E6C43-62110	COVER,SIDE LOWER A	1	1						
7	1	1E6C40-62140-1	COVER,SIDE LOWER B	1	1						
8	1	1E6C40-62180	COVER,SIDE R REAR	1	1						
9	1	1E6B30-62211	COVER,SIDE R FRONT	1	1						
10	1	1E6C43-62250	COVER,SIDE L REAR B	1	1						
11	1	1E8559-84970	BAND 140	2	2						
12	1	22157-080000	WASHER, 8	2	2						
13	1	26013-080202	BOLT, M8X 20	2	2						
14	1	26014-060162	BOLT, M6X 16	1	1						
15	1	26014-060162	BOLT, M6X 16	2	2						
16	1	26014-060162	BOLT, M6X 16	3	3						
17	1	26014-060162	BOLT, M6X 16	2	2						
18	1	26014-080162	BOLT, M8X 16	2	2						
19	1	26014-080202	BOLT, M8X 20	2	2						
20	1	26014-080202	BOLT, M8X 20	2	2						
21	1	26014-080202	BOLT, M8X 20	2	2						
22	1	26014-080202	BOLT, M8X 20	2	2						
23	1	26014-080202	BOLT, M8X 20	2	2						
24	1	26014-080202	BOLT, M8X 20	2	2						
25	1	26014-080202	BOLT, M8X 20	4	4						
26	1	26367-060002	NUT, M6	1	1						
27	1	26014-060162	BOLT, M6X 16	1	1						

Fig.110. SIDE COLUMN(1)

(A)=AW70V,SX-ID
 (B)=AW82V,SX-ID
 (C)=

(D)=
 (E)=
 (F)=

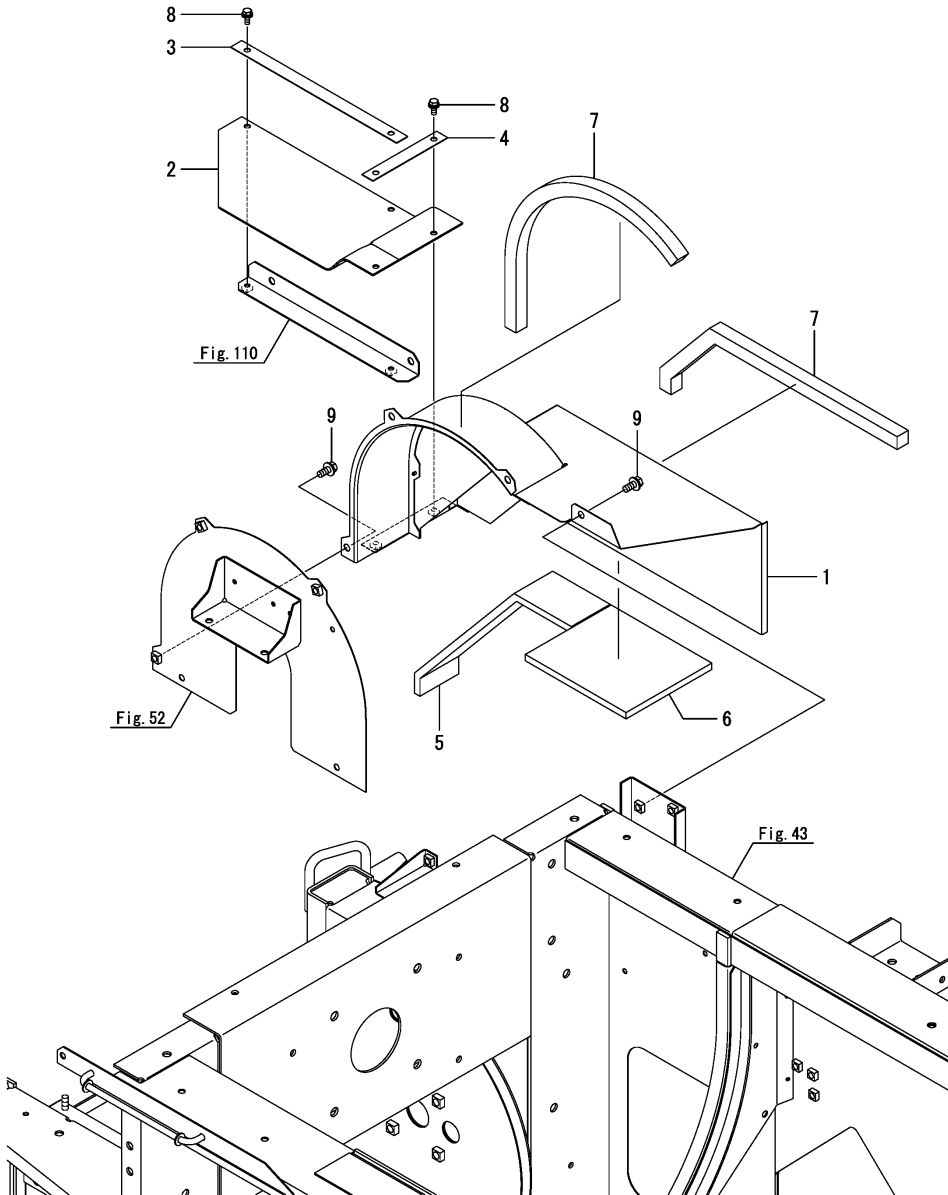


No.	Lev.	Parts No.	Description	Q'ty						I	R
				(A)	(B)	(C)	(D)	(E)	(F)		
1	1	1E6C40-61410	SCREW, 5X15	4	4						
2	1	1E6C40-61410	SCREW, 5X15	4	4						
3	1	1E6C45-62001	PANEL,SIDE FRONT	1	1						
4	1	1E6C43-62050	PANEL,SIDE REAR	1	1						
5	1	1E6B30-62310-1	COVER,SIDE L FRONT	1	1						
6	1	1E6B30-62350	RETAINER,RUBBER F	1	1						
7	1	1E6B30-62360	COVER,LUBBER FRONT	1	1						
8	1	1E6C43-62450	COVER, SIDE REAR	1	1						
9	1	1E6C40-62700-1	STAY ASSY, LAMP	1	1						
10	1	1E6C43-62910	STAY,SIDE L	1	1						
11	1	1E6C43-65460	SPONGE,195X15X10	1	1						
12	1	1E8665-81300	SWITCH, BUZZER STOP	1	1						
13	1	1E6C40-81500	LAMP ASSY, WORK 35W	1	1						
14	2	1E6C40-81510	BULB,35W	1	1						
15	1	1E8540-82100	SWITCH, CHANGE 2S	1	1						
16	2	1E8540-82210	NUT	1	1						
17	1	26014-060162	BOLT, M6X 16	2	2						
18	1	26014-060162	BOLT, M6X 16	2	2						
19	1	26014-060162	BOLT, M6X 16	2	2						
20	1	26014-060162	BOLT, M6X 16	3	3						
21	1	26014-060202	BOLT, M6X 20	1	1						
22	1	26014-080162	BOLT, M8X 16	2	2						
23	1	26014-080252	BOLT, M8X 25	2	2						
24	1	26367-080002	NUT, M8	1	1						
25	1	26367-080002	NUT, M8	1	1						

Fig.111. SIDE COLUMN(2)

(A)=AW70V,SX-ID
 (B)=AW82V,SX-ID
 (C)=

(D)=
 (E)=
 (F)=

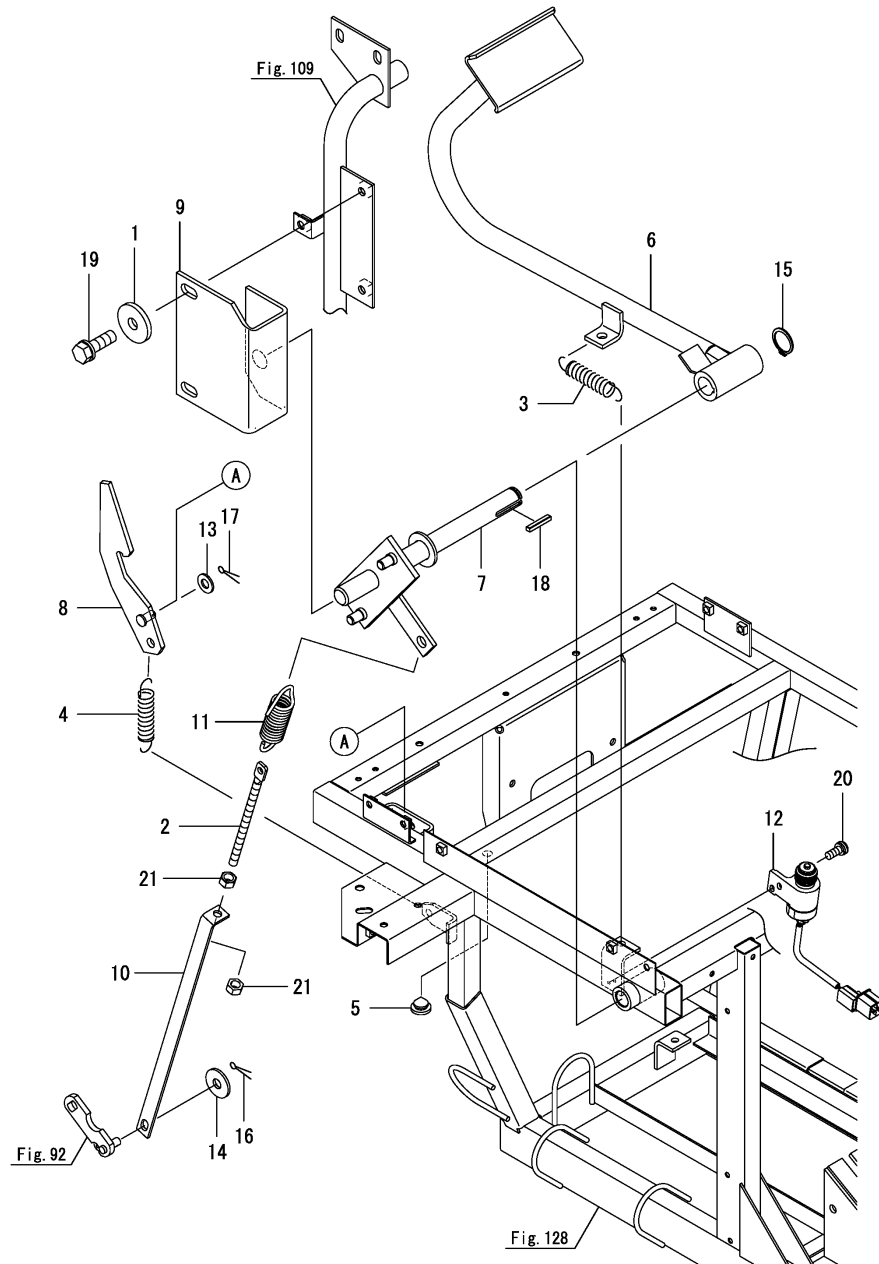


No.	Lev.	Parts No.	Description	Q'ty						I	R
				(A)	(B)	(C)	(D)	(E)	(F)		
1	1	1E6C48-65300	COVER, K CLUTCH	1	1						
2	1	1E6C80-65390	SHEET,SIDE	1	1						
3	1	1E6C80-65400	PLATE,SIDE A	1	1						
4	1	1E6C80-65410	PLATE,SIDE B	1	1						
5	1	1E6C80-65430	SPONGE,K CLUTCH A	1	1						
6	1	1E6C80-65440	SPONGE,K CLUTCH B	1	1						
7	1	1E6C80-65480	SPONGE,K CLUTCH F	2	2						
8	1	26014-060162	BOLT, M6X 16	4	4						
9	1	26014-080202	BOLT, M8X 20	4	4						

Fig.112. BRAKE CONTROL

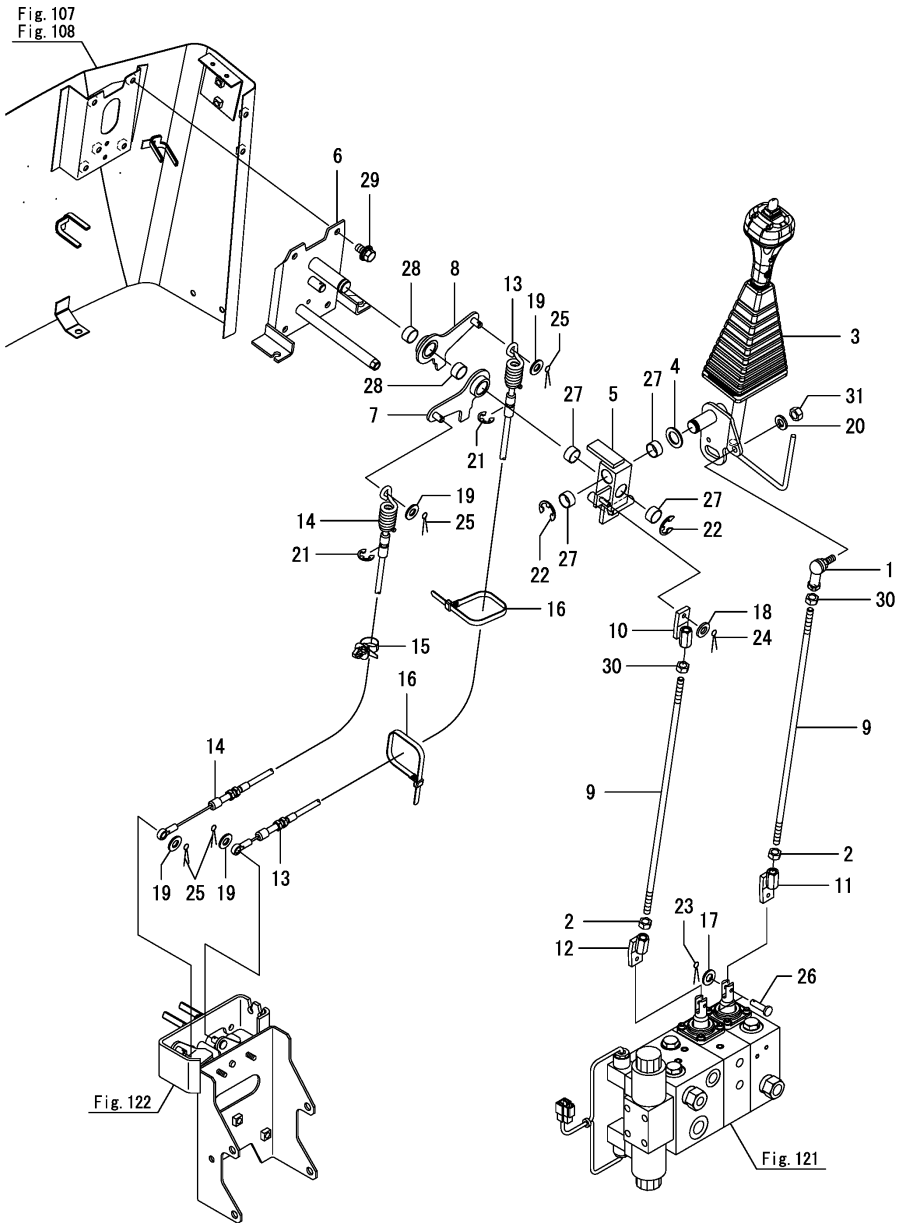
(A)=AW70V,SX-ID
 (B)=AW82V,SX-ID
 (C)=

(D)=
 (E)=
 (F)=



No.	Lev.	Parts No.	Description	Q'ty						I	R
				(A)	(B)	(C)	(D)	(E)	(F)		
1	1	1E8559-22220	WASHER 8.5X28X3.2	2	2						
2	1	1E8559-35170	SCREW, TENSION 8X140	1	1						
3	1	1E8559-35700	SPRING 2.3X17.3X74	1	1						
4	1	1E8559-35700	SPRING 2.3X17.3X74	1	1						
5	1	1E8559-51670	RUBBER	1	1						
6	1	1E6B30-63001	PEDAL ASSY,BRAKE	1	1						
7	1	1E6B30-63051	SHAFT ASSY,FULCRUM	1	1						
8	1	1E6B30-63101-2	PLATE,PEDAL LOCK	1	1						
9	1	1E6C40-63140	PLATE,SHAFT FULCRUM	1	1						
10	1	1E6B30-63160-1	ROD,BRAKE	1	1						
11	1	1E8559-63660	SPRING 20*86.5	1	1						
12	1	1E8770-81320	SWITCH, PUSH R	1	1						
13	1	22137-080000	WASHER, 8	1	1						
14	1	22157-080000	WASHER, 8	1	1						
15	1	22242-000200	RING, 20	1	1						
16	1	22417-200160	PIN, COTTER 2.0X16	1	1						
17	1	22417-200160	PIN, COTTER 2.0X16	1	1						
18	1	22550-050300	KEY 5X30	1	1						
19	1	26013-080252	BOLT, M8X 25	2	2						
20	1	26022-050122	SCREW, M5X12	2	2						
21	1	26717-080002	NUT, M8	2	2						

Fig.113. CLUTCH CONTROL(SIDE)



(A)=AW70V,SX-ID
 (B)=AW82V,SX-ID
 (C)=

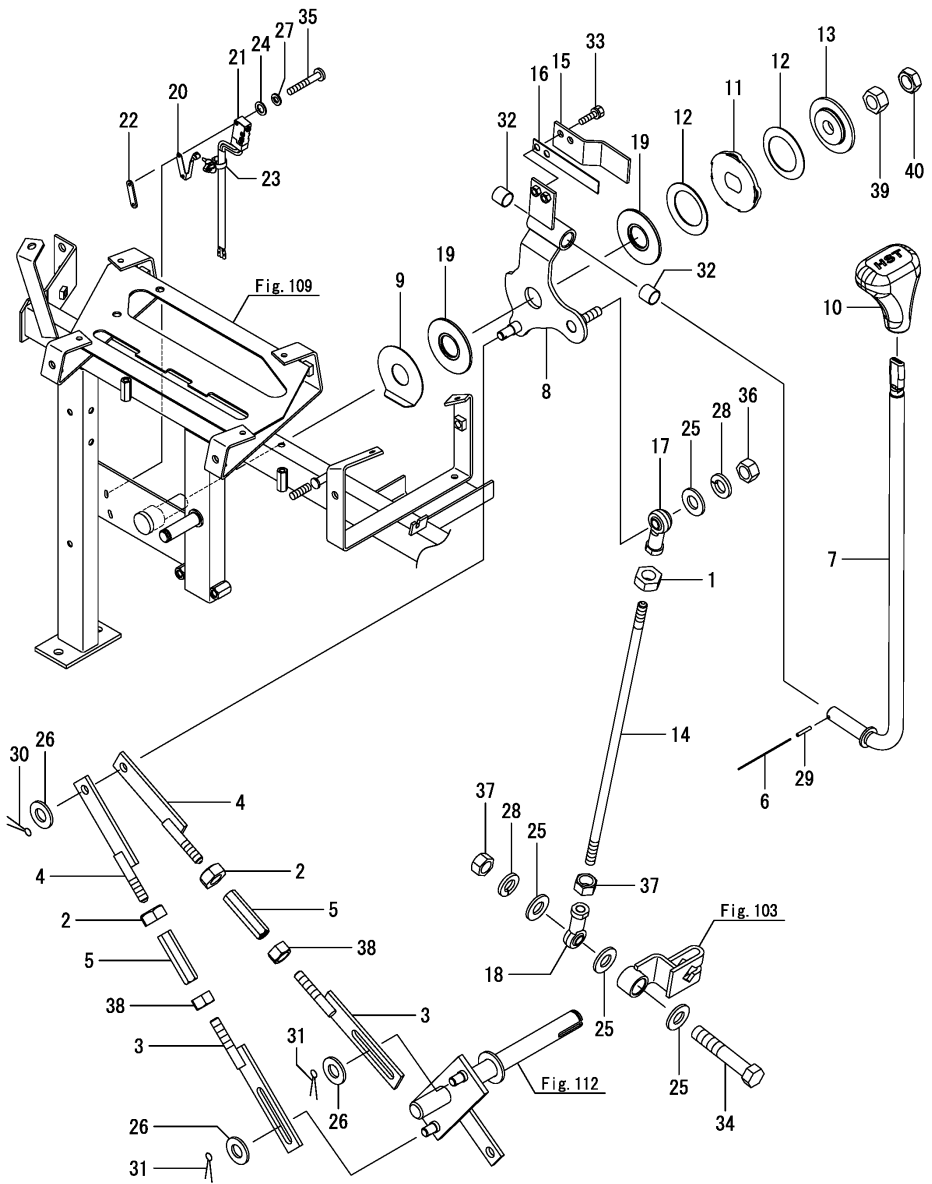
(D)=
 (E)=
 (F)=

No.	Lev.	Parts No.	Description	Q'ty						I	R
				(A)	(B)	(C)	(D)	(E)	(F)		
1	1	1E4760-43090	BALL, LINK BL8D	1	1						
2	1	1C730C-63240	NUT,M8 L	2	2						
3	1	1E6C40-66070	LEVER ASSY, MONO	1	1						
4	1	1E6C40-66161-1	WASHER	1	1						
5	1	1E6C40-66210	CONNECTOR,SIDE CLUTC	1	1						
6	1	1E6C40-66341	BRACKET,SIDE CLUTCH	1	1						
7	1	1E6C40-66410	ARM, LINK L	1	1						
8	1	1E6C40-66440	ARM, LINK R	1	1						
9	1	1E6C40-66500	ROD,430	2	2						
10	1	1E6C40-66650	END, ROD	1	1						
11	1	1E6C40-66670-1	END, ROD	1	1						
12	1	1E6C40-66710	END, ROD L	1	1						
13	1	1E6C40-66961	WIRE, BRAKE R	1	1						
14	1	1E6C40-66971	WIRE, BRAKE L	1	1						
15	1	1E9265-84300	CLIP, BAND	1	1						
16	1	1E8559-84960	CABLE BAND 250	2	2						
17	1	22137-050000	WASHER, 5	2	2						
18	1	22137-060000	WASHER, 6	1	1						
19	1	22137-080000	WASHER, 8	4	4						
20	1	22217-080000	WASHER, SPRING 8	1	1						
21	1	22272-000060	RING, E- 6	2	2						
22	1	22272-000150	RING, E-15	2	2						
23	1	22417-160160	PIN, COTTER 1.6X16	2	2						
24	1	22417-160200	PIN, COTTER 1.6X20	1	1						
25	1	22417-200200	PIN, COTTER 2.0X20	4	4						
26	1	22487-050160	PIN, H 5X 16	2	2						
27	1	24550-018100	BUSH, 18X10	4	4						
28	1	24550-018100	BUSH, 18X10	2	2						
29	1	26014-080162	BOLT, M8X 16	4	4						
30	1	26717-080002	NUT, M8	2	2						
31	1	26717-080002	NUT, M8	1	1						

Fig.114. MAIN SHIFT CONTROL

(A)=AW70V,SX-ID
(B)=AW82V,SX-ID
(C)=

(D)=
(E)=
(F)=

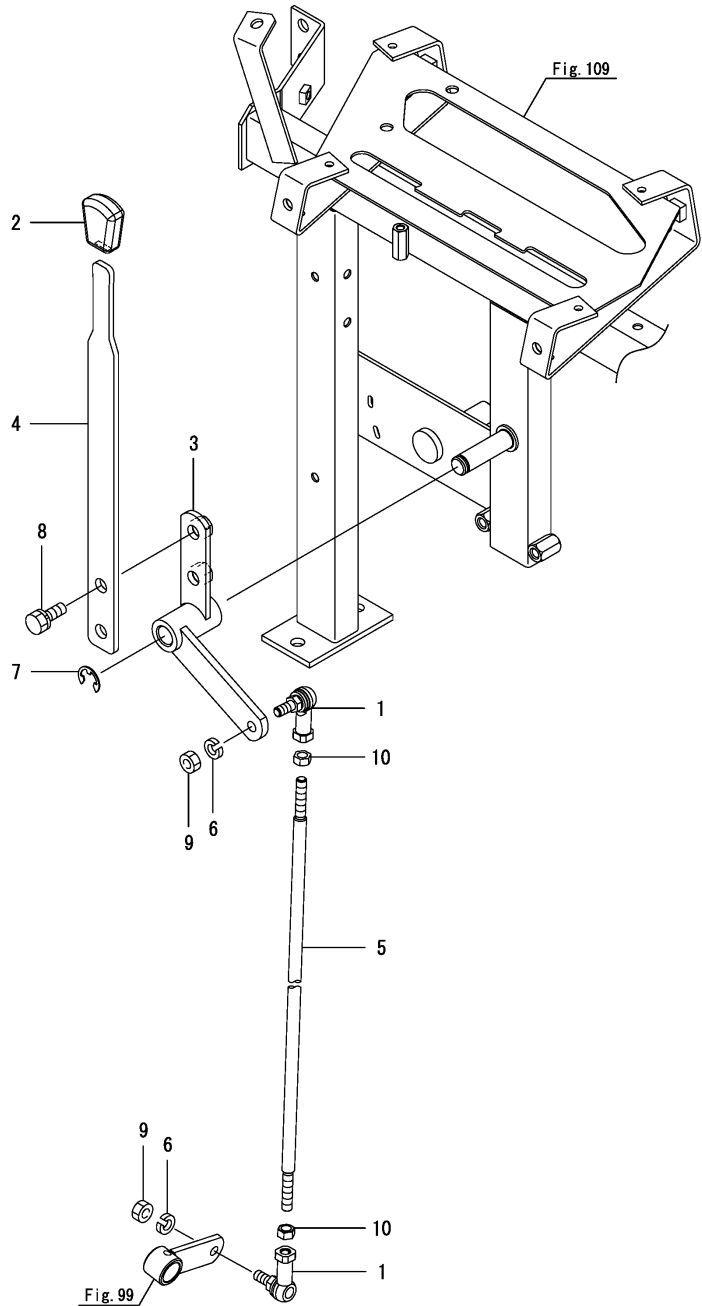


No.	Lev.	Parts No.	Description	Q'ty						I	R
				(A)	(B)	(C)	(D)	(E)	(F)		
1	1	1E8559-63481	NUT, 10 L.H. SCREW	1	1						
2	1	1E8559-63481	NUT, 10 L.H. SCREW	2	2						
3	1	1E9060-63700	ROD, B	2	2						
4	1	1E8550-63800	ROD A	2	2						
5	1	1E8559-63860	NUT 10	2	2						
6	1	1E9060-63990	WIRE, 1.2X80	1	1						
7	1	1E6B30-64000	LEVER, MAIN CHANGE	1	1						
8	1	1E6B30-64051	BRACKET ASSY, FULCRUM	1	1						
9	1	1E9060-64101	WASHER	1	1						
10	1	1E6C40-64140	GRIP, HST LEVER	1	1						
11	1	1E8559-64220	WASHER 25	1	1						
12	1	1E8559-64230	SPRING 62*16	2	2						
13	1	1E8559-64250-1	PLATE 65	1	1						
14	1	1E6C40-64550	ROD, MAIN CHANGE	1	1						
15	1	1E6C40-64560	LEVER ASSY, STOPPER	1	1						
16	1	1E6C40-64600	SPRING, MAIN CHANGE	1	1						
17	1	1E6B30-64620	ROD-END, CHSL10BK	1	1						
18	1	1E6B30-64630	ROD-END, CHS10BK	1	1						
19	1	1E9430-64800	PLATE, FRICTION 65	2	2						
20	1	1E8255-81180	LEVER, ROLLER NV	1	1						
21	1	1E8915-81450	SWITCH, MICRO	1	1						
22	1	1E8550-84220	NUT 2-M3, SWITCH	1	1						
23	1	1E9265-84300	CLIP, BAND	1	1						
24	1	22137-030000	WASHER, 3	2	2						
25	1	22137-100000	WASHER, 10	4	4						
26	1	22137-100000	WASHER, 10	3	3						
27	1	22217-030000	WASHER, SPRING 3	2	2						
28	1	22217-100000	WASHER, SPRING 10	2	2						
29	1	22351-030020	PIN, SPRING 3.0X20	1	1						
30	1	22417-200200	PIN, COTTER 2.0X20	1	1						
31	1	22417-250250	PIN, COTTER 2.5X25	2	2						
32	1	24550-015150	BUSH, 15X15	2	2						
33	1	26013-060162	BOLT, M6X 16	2	2						
34	1	26116-100552	BOLT, M10X 55 PLATED	1	1						
35	1	26587-030202	SCREW, M3X20	2	2						
36	1	26717-100002	NUT, M10	1	1						
37	1	26717-100002	NUT, M10	2	2						
38	1	26717-100002	NUT, M10	2	2						
39	1	26737-160002	NUT, M16	1	1						
40	1	26777-160002	NUT, LOCK M16	1	1						

Fig.115. SUB SHIFT CONTROL

(A)=AW70V,SX-ID
 (B)=AW82V,SX-ID
 (C)=

(D)=
 (E)=
 (F)=



No.	Lev.	Parts No.	Description	Q'ty						I	R
				(A)	(B)	(C)	(D)	(E)	(F)		
1	1	1C731C-47130	BALL, LINK M8 A	2	2						
2	1	1C726C-47910	KNOB, 4X13	1	1						
3	1	1E6C43-64200	LEVER, SUB CHANGE	1	1						
4	1	1E6C40-64221	LEVER, EXTENSION	1	1						
5	1	1E6C40-64260	ROD, SUB CHANGE	1	1						
6	1	22217-080000	WASHER, SPRING 8	2	2						
7	1	22272-000120	RING, E-12	1	1						
8	1	26013-100202	BOLT, M10X 20	2	2						
9	1	26717-080002	NUT, M8	2	2						
10	1	26717-080002	NUT, M8	2	2						

Fig.116. CLUTCH CONTROL(REAP)

(A)=AW70V,SX-ID
 (B)=AW82V,SX-ID
 (C)=

(D)=
 (E)=
 (F)=

No.	Lev.	Parts No.	Description	Q'ty						I	R
				(A)	(B)	(C)	(D)	(E)	(F)		
1	1	1E6C80-65200	LEVER,K CLUTCH	1	1						
2	1	1E6C80-65250	WIRE, REAPING CLUTCH	1	1						
3	1	1E6B30-65300	GRIP, LEVER RED	1	1						
4	1	1E8559-84970	BAND 140	2	2						
5	1	22117-080000	WASHER, 8	1	1						
6	1	22417-200200	PIN, COTTER 2.0X20	1	1						
7	1	24550-020150	BUSH, 20X15	2	2						

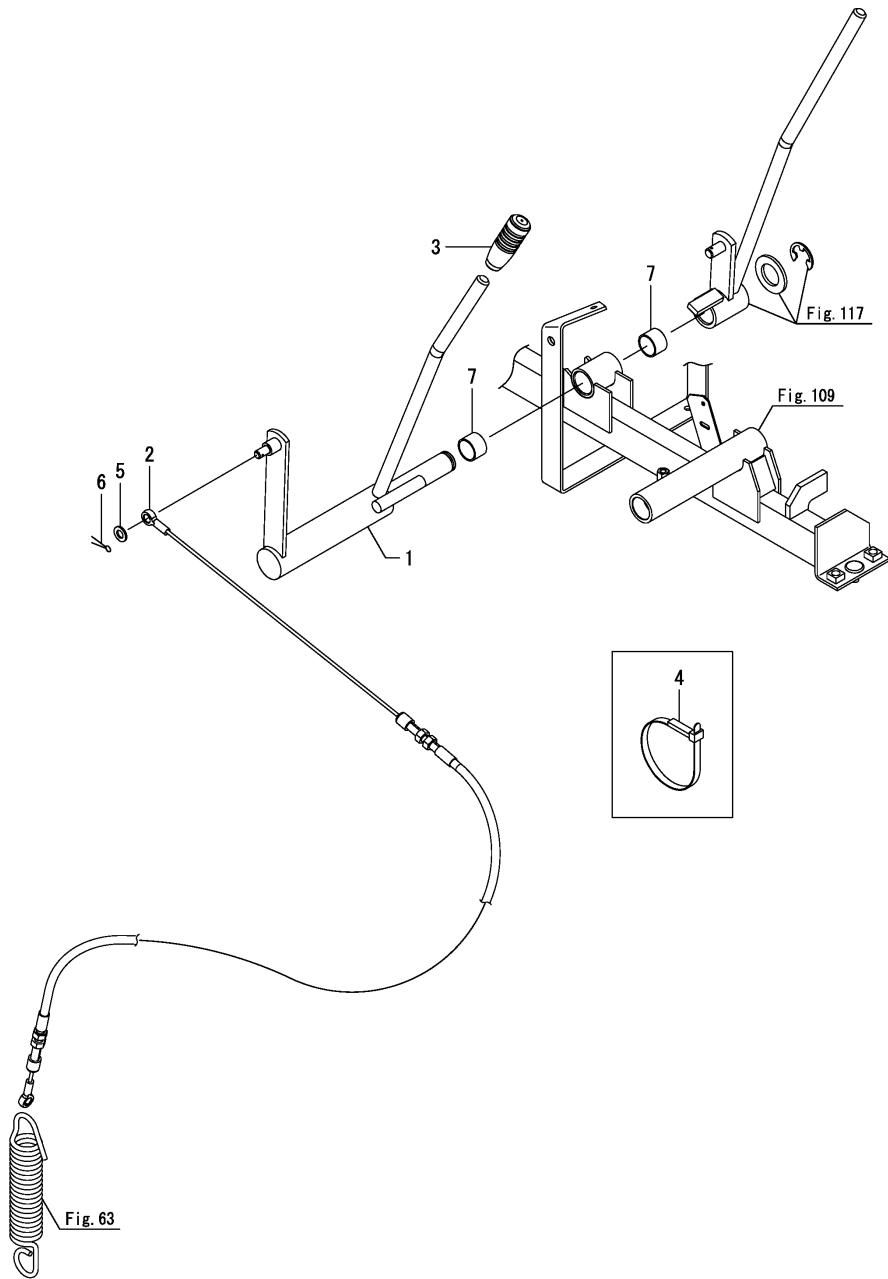
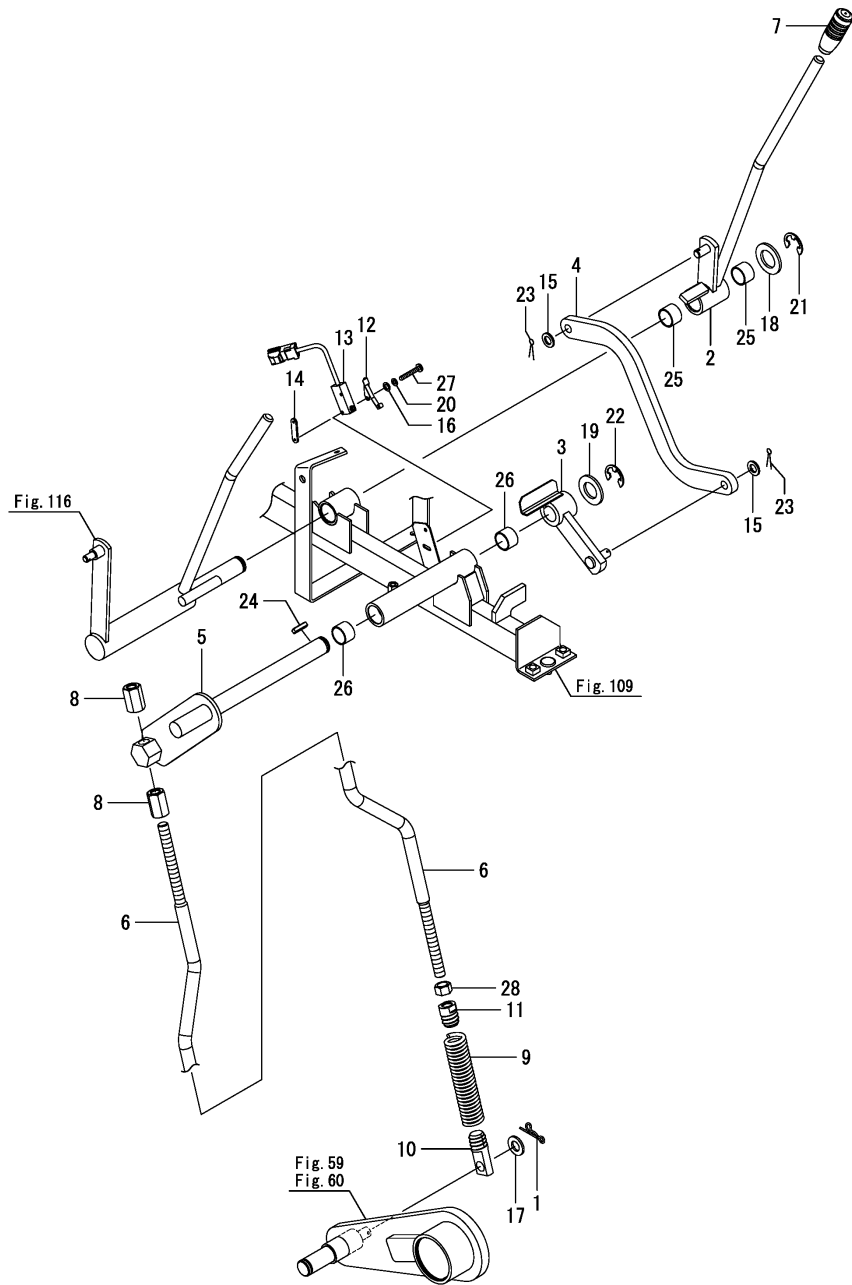


Fig.117. CLUTCH CONTROL(THRESH)

(A)=AW70V,SX-ID
 (B)=AW82V,SX-ID
 (C)=

(D)=
 (E)=
 (F)=

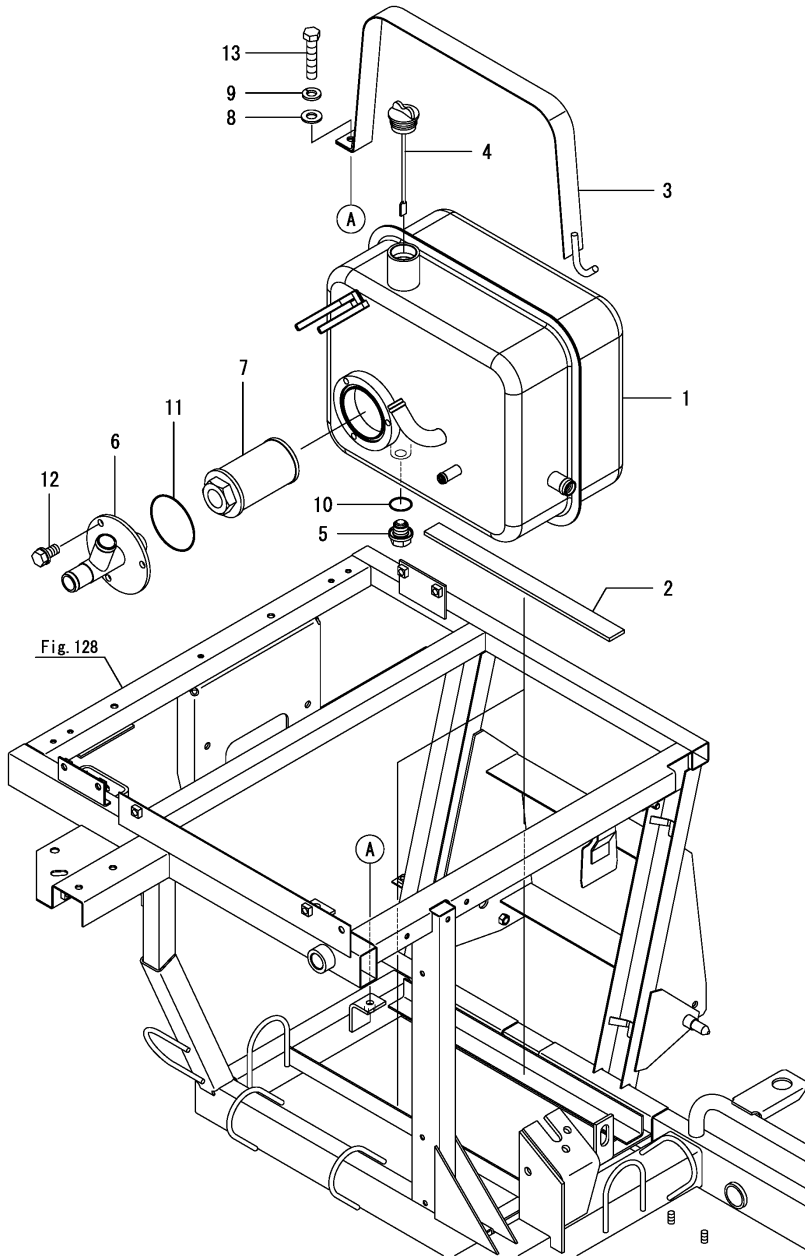


No.	Lev.	Parts No.	Description	Q'ty						I	R
				(A)	(B)	(C)	(D)	(E)	(F)		
1	1	1C727C-26480	PIN, SNAP 12	1	1						
2	1	1E6C80-65000	LEVER,D CLUTCH	1	1						
3	1	1E6C80-65030	LINK,D CLUTCH A	1	1						
4	1	1E6C80-65060	PLATE, D LINK	1	1						
5	1	1E6C80-65070	LINK, D CLUTCH B	1	1						
6	1	1E6C80-65090	ROD, D CLUTCH	1	1						
7	1	1E6B30-65300	GRIP, LEVER RED	1	1						
8	1	1E9060-65500	NUT,12	2	2						
9	1	1E8552-65650	SPRING, 4.5X21.5X112	1	1						
10	1	1E8559-65690	HOOK A	1	1						
11	1	1E8559-65700	HOOK B	1	1						
12	1	1E8255-81180	LEVER, ROLLER NV	1	1						
13	1	1E8915-81450	SWITCH, MICRO	1	1						
14	1	1E8550-84220	NUT 2-M3,SWITCH	1	1						
15	1	22117-100000	WASHER, 10	2	2						
16	1	22137-030000	WASHER, 3	2	2						
17	1	22137-120000	WASHER, 12	1	1						
18	1	22137-200000	WASHER, 20	1	1						
19	1	22137-200000	WASHER, 20	1	1						
20	1	22217-030000	WASHER, SPRING 3	2	2						
21	1	22272-000150	RING, E-15	1	1						
22	1	22272-000150	RING, E-15	1	1						
23	1	22417-200200	PIN, COTTER 2.0X20	2	2						
24	1	22551-050200	KEY, 5X 20	1	1						
25	1	24550-020150	BUSH, 20X15	2	2						
26	1	24550-020150	BUSH, 20X15	2	2						
27	1	26587-030202	SCREW, M3X20	2	2						
28	1	26717-120002	NUT, M12	1	1						

Fig.118. HYDRAULIC TANK

(A)=AW70V,SX-ID
 (B)=AW82V,SX-ID
 (C)=

(D)=
 (E)=
 (F)=

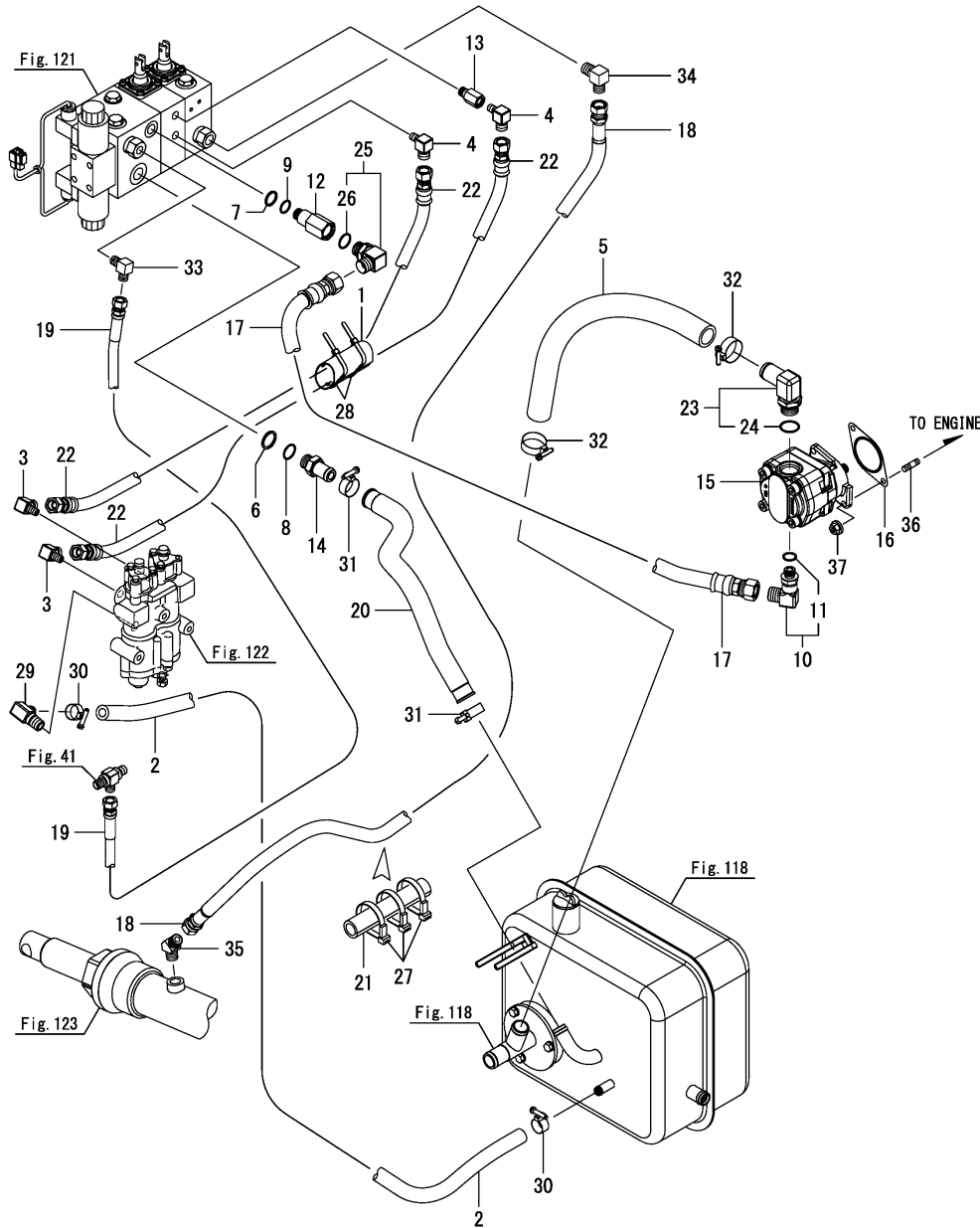


No.	Lev.	Parts No.	Description	Q'ty						I	R
				(A)	(B)	(C)	(D)	(E)	(F)		
1	1	1E6B30-66000	TANK, HYDRAULIC	1	1						
2	1	1E9061-66050	SEAT, SHOCK ABSORBING	2	2						
3	1	1E8550-66150-1	BAND	1	1						
4	1	1E8130-66220	CAP, OIL M33X115	1	1						
5	1	1E8559-66300	PLUG 14	1	1						
6	1	1E6B30-66400	FLANGE, SUCTION	1	1						
7	1	1E8050-66790	FILTER, 150MESH	1	1						
8	1	22137-080000	WASHER, 8	1	1						
9	1	22217-080000	WASHER, SPRING 8	1	1						
10	1	24311-000160	O-RING, 1AP16.0	1	1						
11	1	24321-000700	O-RING, 1AG70.0	1	1						
12	1	26013-080162	BOLT, M8X 16	3	3						
13	1	26116-080404	BOLT, M8X 40 PLATED	1	1						

Fig.119. PIPING(VALUE)

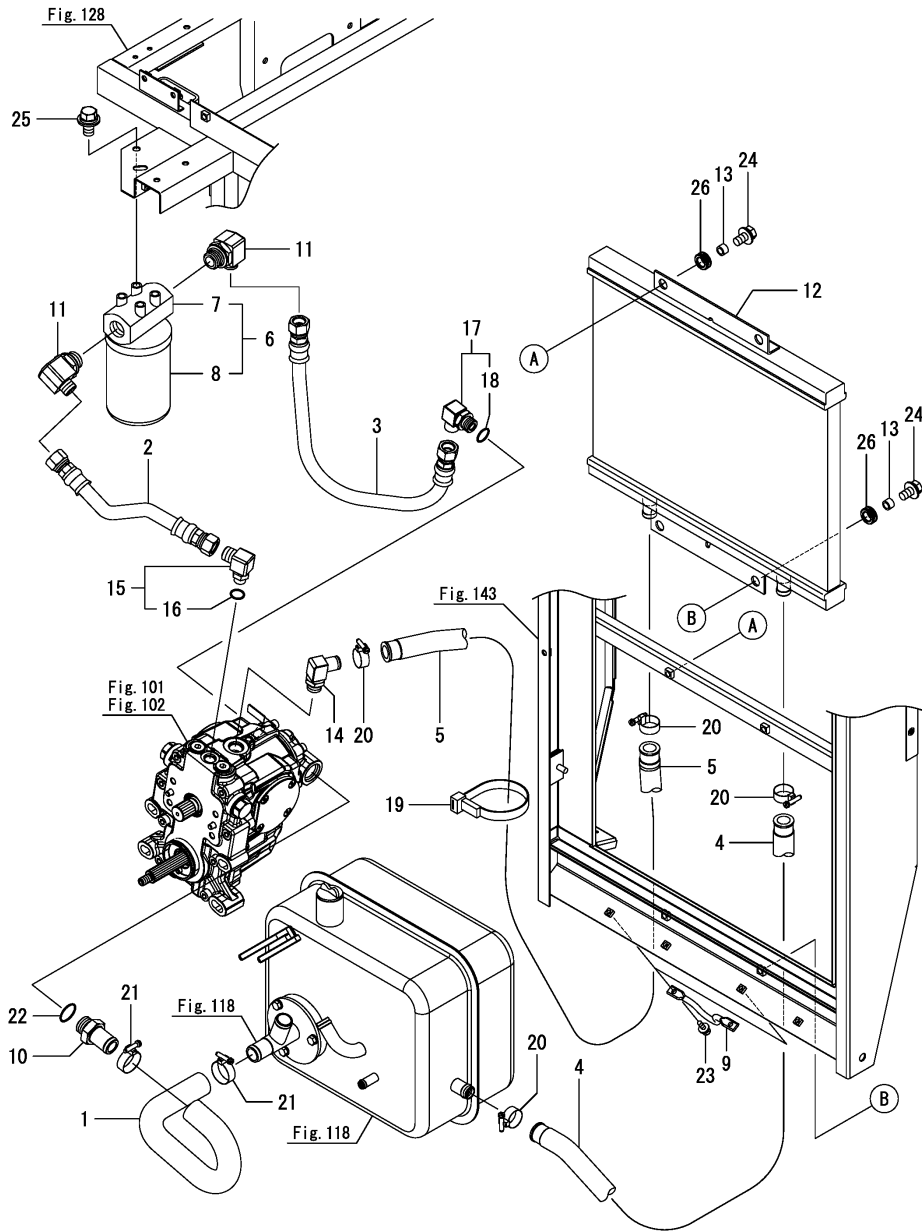
(A)=AW70V,SX-ID
(B)=AW82V,SX-ID
(C)=

(D)=
(E)=
(F)=



No.	Lev.	Parts No.	Description	Q'ty						I	R
				(A)	(B)	(C)	(D)	(E)	(F)		
1	1	1E6B30-62950	SHEET,SIDE L FRONT B	1	1						
2	1	1E6B30-66230	HOSE,DRAIN 8-740	1	1						
3	1	1E6C40-66260	ELBOW,90 1/2-1/4	2	2						
4	1	1E6C40-66260	ELBOW,90 1/2-1/4	2	2						
5	1	1E6B30-66290	HOSE,DRAIN 16-500	1	1						
6	1	1E6B30-66360	COLLAR,28.5X23.3X1.9	1	1						
7	1	1E6B30-66370	COLLAR,23.5X19.5X1.9	1	1						
8	1	1E6B30-66380	O-RING,18X2.65	1	1						
9	1	1E6B30-66390	O-RING,14X2.65	1	1						
10	1	1E6B30-66430	JOINT,G3/8XG1/2	1	1						
11	2	24315-000140	O-RING, 1BP14.0	1	1						
12	1	1E6B30-66480	JOINT ASSY,STRAINER	1	1						
13	1	1E6B30-66490	ADAPTER, R1/4-RC1/4	1	1						
14	1	1E8050-66590	NIPPLE, PF1/2-20	1	1						
15	1	1E6C40-66760	PUMP ASSY, 9CC	1	1						
16	1	1E6C40-66800	PACKING, PUMP	1	1						
17	1	1E6C40-66830	HOSE,HYD.08-700	1	1						
18	1	1E6C40-66850	HOSE,HYD.06-1690	1	1						
19	1	1E6C40-66860	HOSE,HYD.04-2940	1	1						
20	1	1E6C40-66870	HOSE,DRAIN 12-450	1	1						
21	1	1E6C40-66890	RUBBER,HOSE PROTECT	1	1						
22	1	1E6C40-66930	HOSE,HYD.08-870	2	2						
23	1	1E6C40-69150	JOINT ASSY,G3/4-26	1	1						
24	2	24315-000240	O-RING, 1BP24.0	1	1						
25	1	172141-76900	CONNECTOR ASSY	1	1						
26	2	24315-000180	O-RING, 1BP18.0	1	1						
27	1	1E8559-84960	CABLE BAND 250	3	3						
28	1	1E8559-84960	CABLE BAND 250	2	2						
29	1	1E8330-85530	ELBOW, 90 3/8	1	1						
30	1	23000-022000	CLAMP, 22	2	2						
31	1	23000-028000	CLAMP, 28	2	2						
32	1	23000-035000	CLAMP, 35	2	2						
33	1	23393-020000	JOINT, 90RGI-1/4	1	1						
34	1	23393-030000	JOINT, 90RGI-3/8	1	1						
35	1	23394-030000	JOINT, 45RGI-3/8	1	1						
36	1	26216-080202	STUD, M8X 20	2	2						
37	1	26306-080002	NUT, M8	2	2						

Fig.120. PIPING(H.S.T.)

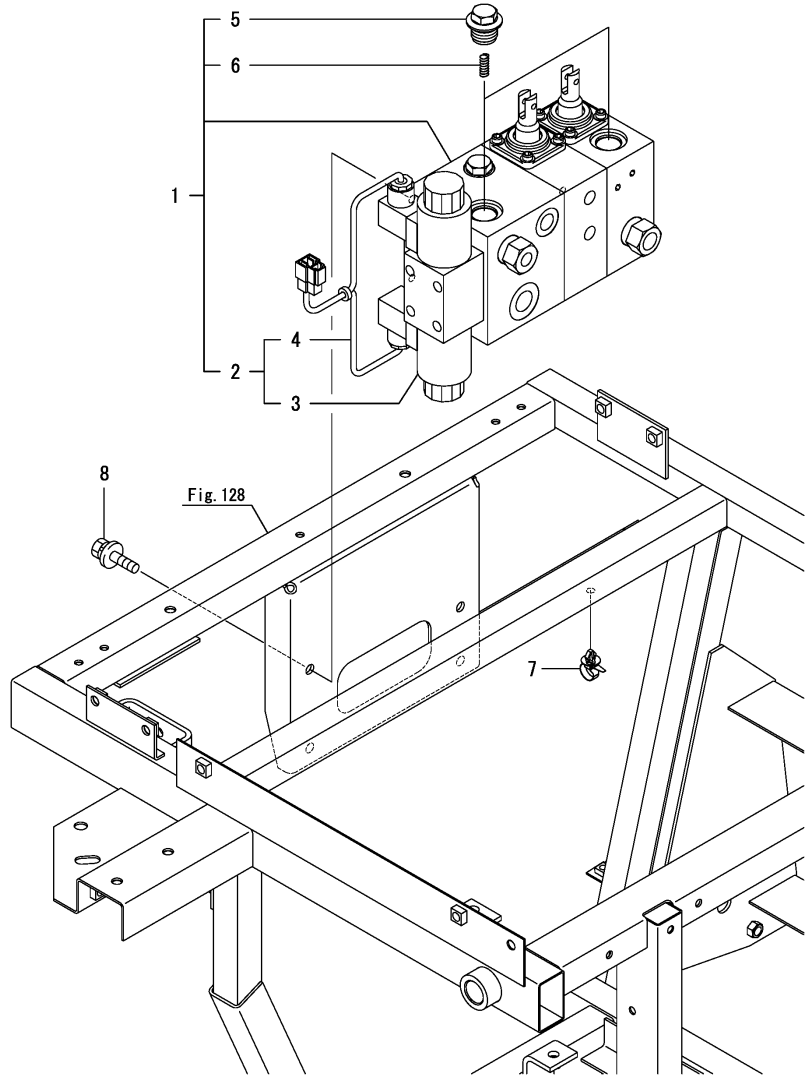


(A)=AW70V,SX-ID
 (B)=AW82V,SX-ID
 (C)=

(D)=
 (E)=
 (F)=

No.	Lev.	Parts No.	Description	Q'ty						I	R
				(A)	(B)	(C)	(D)	(E)	(F)		
1	1	1E6C40-66200	HOSE, SUCTION	1	1						
2	1	1E6B30-66220	HOSE,HYD.08-270	1	1						
3	1	1E6B30-66260	HOSE,HYD.08-600	1	1						
4	1	1E6C40-66300	HOSE,DRAIN 12-750	1	1						
5	1	1E6C40-66310	HOSE,DRAIN 12-930	1	1						
6	1	1E8560-66350	FILTER ASSY, HP	1	1						
7	2	1E8560-66360	HEAD ASSY, FILTER	1	1						
8	2	1E8560-66370	ELEMENT ASSY	1	1						
9	1	1E6C40-66390	GUIDE, HOSE	2	2						
10	1	1E6B30-66450	JOINT,G3/4-26	1	1						
11	1	1E9110-66490	ELBOW, 3/4-1/2	2	2						
12	1	1E6C40-66700	COOLER,OIL 333X490	1	1						
13	1	1E8540-66770	COLLAR, 8X12X8	4	4						
14	1	1E8559-66770	ELBOW 1/2-20 W/SEAT	1	1						
15	1	172645-76570	CONNECTOR ASSY	1	1						
16	2	24315-000140	O-RING, 1BP14.0	1	1						
17	1	172141-76900	CONNECTOR ASSY	1	1						
18	2	24315-000180	O-RING, 1BP18.0	1	1						
19	1	1E8559-84960	CABLE BAND 250	1	1						
20	1	23000-028000	CLAMP, 28	4	4						
21	1	23000-035000	CLAMP, 35	2	2						
22	1	24315-000240	O-RING, 1BP24.0	1	1						
23	1	26014-060162	BOLT, M6X 16	4	4						
24	1	26014-080252	BOLT, M8X 25	4	4						
25	1	26014-100202	BOLT, M10X 20	2	2						
26	1	29311-124000	GROMET, 12.0X4	4	4						

Fig.121. CONTROL VALVE

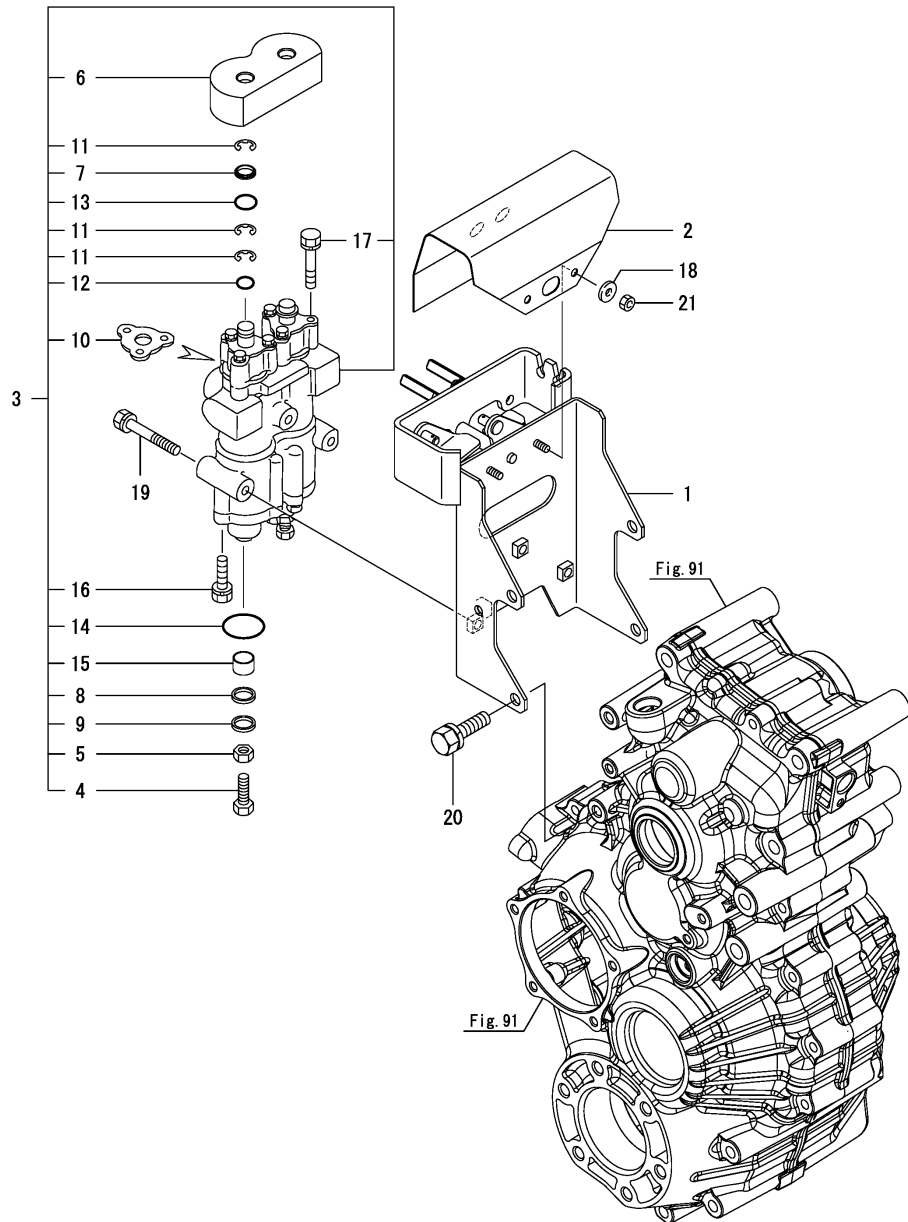


(A)=AW70V,SX-ID
 (B)=AW82V,SX-ID
 (C)=

(D)=
 (E)=
 (F)=

No.	Lev.	Parts No.	Description	Q'ty						I	R
				(A)	(B)	(C)	(D)	(E)	(F)		
1	1	1E6B30-66503	VALVE,CONTROL	1	1						
2	2	1E6B30-66510	SOLENOID ASSY,VALVE	1	1						
3	3	1E6B30-66520	SOLENOID,VALVE	1	1						
4	3	1E6B30-66530	HARNES,VALVE	1	1						
5	2	1E6B30-66610	PLUG, 22	2	2						
6	2	1E6B30-66620	SPRING, 1.0X7.5X19	2	2						
7	1	1E9265-84300	CLIP, BAND	1	1						
8	1	26014-080162	BOLT, M8X 16	4	4						

Fig.122. TRAVEL ACTUATOR



(A)=AW70V,SX-ID
(B)=AW82V,SX-ID
(C)=

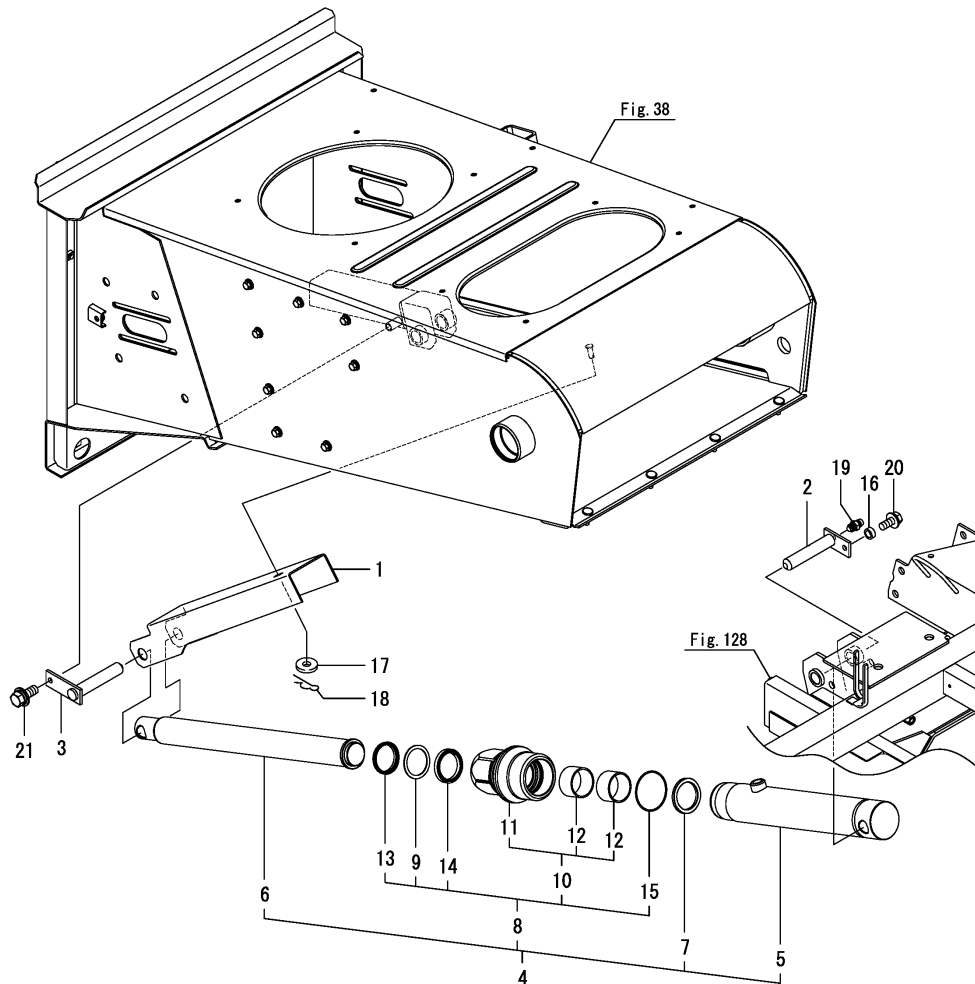
(D)=
(E)=
(F)=

No.	Lev.	Parts No.	Description	Q'ty						I	R
				(A)	(B)	(C)	(D)	(E)	(F)		
1	1	1E6C40-66530	BRACKET, ACTUATOR	1	1						
2	1	1E6C40-66771	COVER,ACTUATOR	1	1						
3	1	1E8230-85503	ACTUATOR ASSY	1	1						
4	2	1E8230-85511	BOLT M10X 35	2	2						
5	2	26776-100002	NUT, LOCK M10	2	2						
6	2	1683J3-02200	BOOTS	1	1						
7	2	172510-74410	SEAL, DUST	2	2						
8	2	1E8230-85520	SEAL,PENTA	2	2						
9	2	1E8230-85530	SCRAPER 16	2	2						
10	2	1E8230-85540	PACKING	2	2						
11	2	22272-000090	RING, E- 9	6	6						
12	2	24311-000100	O-RING, 1AP10.0	2	2						
13	2	24311-000140	O-RING, 1AP14.0	2	2						
14	2	24321-000350	O-RING, 1AG35.0	2	2						
15	2	24550-016120	BUSH, 16X12	2	2						
16	2	26016-060252	BOLT, M6X 25	6	6						
17	2	26016-060402	BOLT, M6X 40	6	6						
18	1	22157-060000	WASHER, 6	2	2						
19	1	26013-080702	BOLT, M8X 70	3	3						
20	1	26013-100252	BOLT, M10X 25	4	4						
21	1	26717-060002	NUT, M6	2	2						

Fig.123. HYDRAULIC CYLINDER

(A)=AW70V,SX-ID
 (B)=AW82V,SX-ID
 (C)=

(D)=
 (E)=
 (F)=

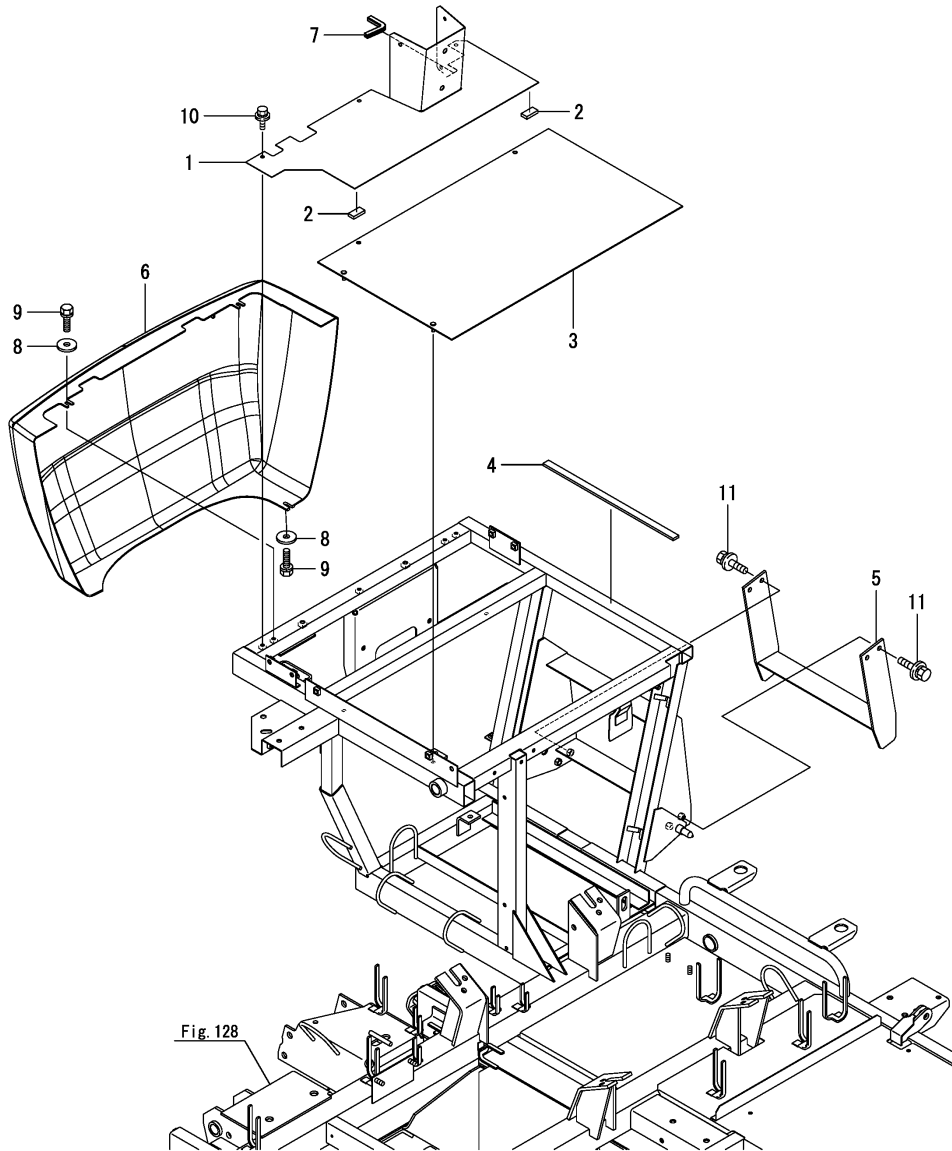


No.	Lev.	Parts No.	Description	Q'ty						I	R
				(A)	(B)	(C)	(D)	(E)	(F)		
1	1	1E6C43-67210	STOPPER,CYLINDER	1	1						
2	1	1E6B30-67231	PIN,CYLINDER FULCRUM	1	1						
3	1	1E6C40-67260	PIN,CYLINDER	1	1						
4	1	1E6C40-67800	CYLINDER, PF	1	1						
5	2	1E6C40-67410	TUBE ASSY	1	1						
6	2	1E6B30-67450	ROD ASSY	1	1						
7	2	1E6B30-67490	COLLAR,45.8X59X5	1	1						
8	2	1E6B30-67810	BRACKET ASSY, SEAL	1	1						
9	3	1E6B30-67500	RING,BACK UP	1	1						
10	3	1E6B30-67820	BRACKET ASSY,ROD	1	1						
11	4	1E6B30-67570	BRACKET,ROD	1	1						
12	4	24550-045300	BUSH, 45X30	2	2						
13	3	1E6B30-67830	SCRAPER, 45	1	1						
14	3	1E8300-94780	PACKING RNY-45A	1	1						
15	3	24325-000600	O-RING, 1BG60.0	1	1						
16	1	1E8559-75030	SPACER 5	1	1						
17	1	22157-080000	WASHER, 8	1	1						
18	1	22372-080000	PIN, SNAP 8	1	1						
19	1	24761-060000	NIPPLE, GREASE MT6X1	1	1						
20	1	26014-080202	BOLT, M8X 20	1	1						
21	1	26014-080202	BOLT, M8X 20	1	1						

Fig.124. STEP FRAME

(A)=AW70V,SX-ID
 (B)=AW82V,SX-ID
 (C)=

(D)=
 (E)=
 (F)=



No.	Lev.	Parts No.	Description	Q'ty						I	R
				(A)	(B)	(C)	(D)	(E)	(F)		
1	1	1E6C40-68051	FLOOR ASSY,FRONT	1	1						
2	1	1E8550-68060	TAPE, 10X20X4 SOFT	2	2						
3	1	1E6B30-68101	FLOOR,REAR	1	1						
4	1	1E8559-68160	SEAL,STEP PLATE	1	1						
5	1	1E6C45-68200	STEP ASSY,SIDE UNDER	1	1						
6	1	1E6C43-68350	COVER,STEP	1	1						
7	1	1E6B31-94180	RUBBER, EDGE GUARD50	1	1						
8	1	22157-060000	WASHER, 6	3	3						
9	1	26013-060162	BOLT, M6X 16	3	3						
10	1	26014-060122	BOLT, M6X 12	3	3						
11	1	26014-080202	BOLT, M8X 20	4	4						

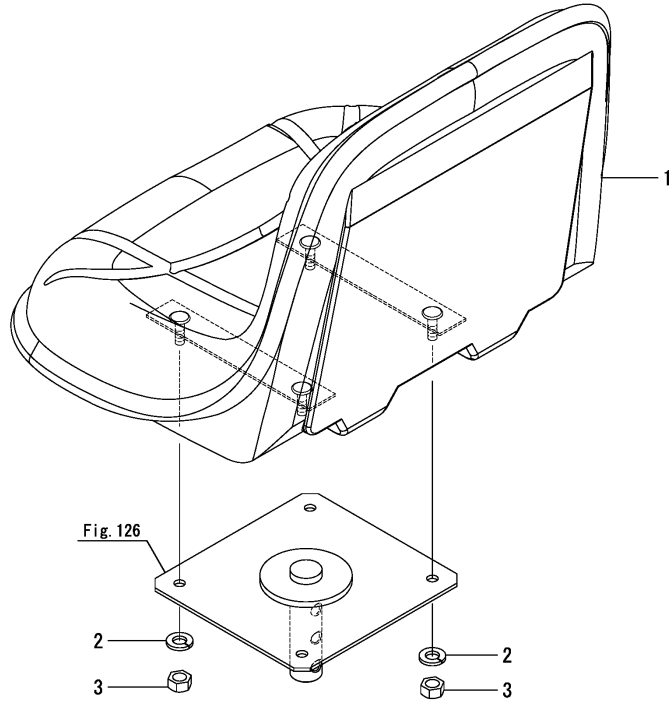
Fig. 128

Fig.125. SEAT

(A)=AW70V,SX-ID
 (B)=AW82V,SX-ID
 (C)=

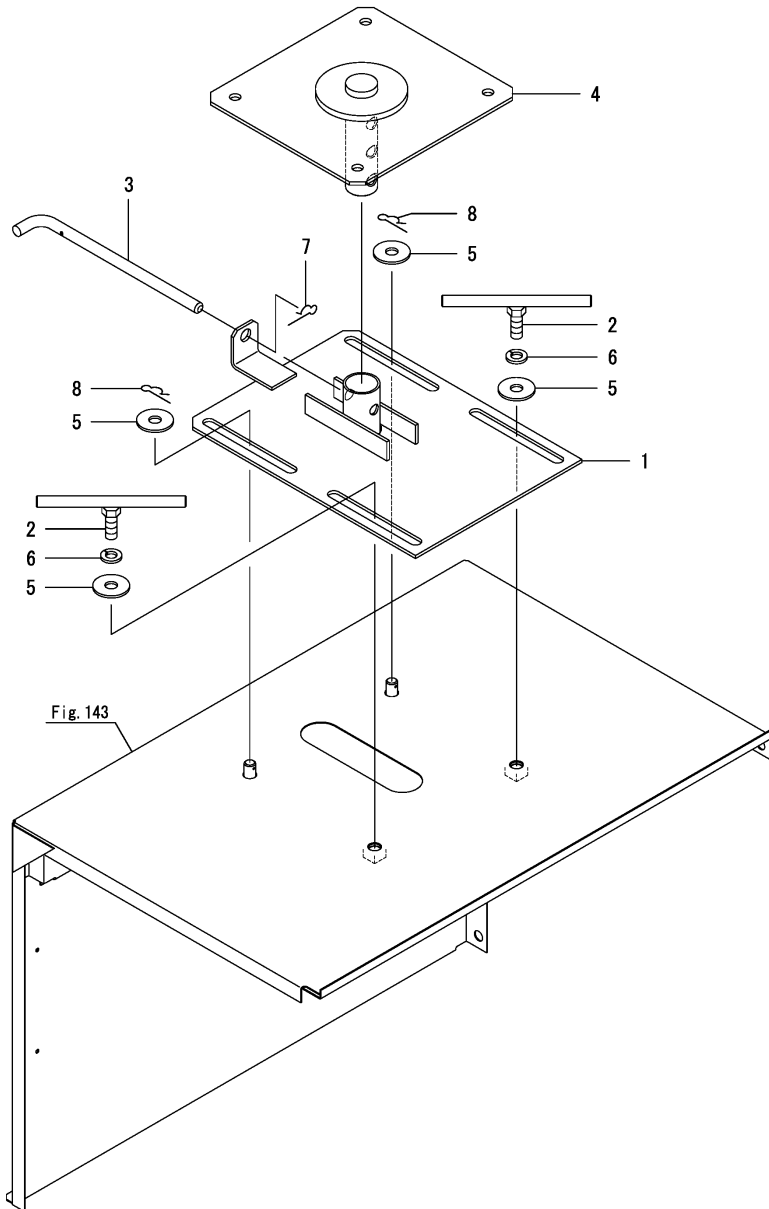
(D)=
 (E)=
 (F)=

No.	Lev.	Parts No.	Description	Q'ty						I	R
				(A)	(B)	(C)	(D)	(E)	(F)		
1	1	1E6B00-68100	SEAT,ASSY	1	1						
2	1	22217-080000	WASHER, SPRING 8	4	4						
3	1	26717-080002	NUT, M8	4	4						



(A)=AW70V,SX-ID
 (B)=AW82V,SX-ID
 (C)=

(D)=
 (E)=
 (F)=

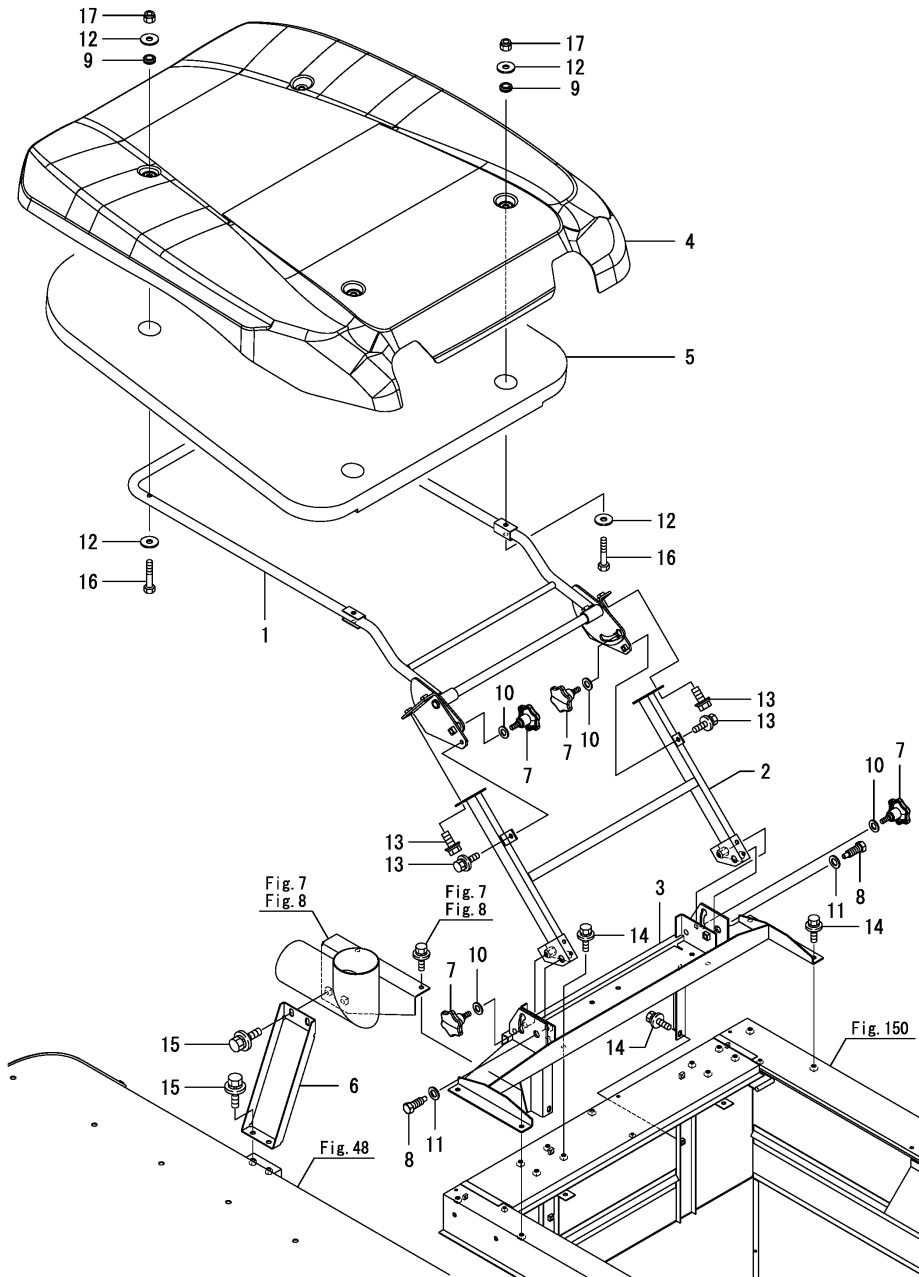


No.	Lev.	Parts No.	Description	Q'ty						I	R
				(A)	(B)	(C)	(D)	(E)	(F)		
1	1	1E6B30-68401-2	SEAT,OPERATOR B	1	1						
2	1	1E6B00-68500	BOLT M10X25	2	2						
3	1	1E6B30-68501	PIN,10	1	1						
4	1	1E6B30-68602-1	SEAT,OPERATOR A	1	1						
5	1	22157-100000	WASHER, 10	4	4						
6	1	22217-100000	WASHER, SPRING 10	2	2						
7	1	22372-100000	PIN, SNAP 10	1	1						
8	1	22372-100000	PIN, SNAP 10	2	2						

Fig.127. SUNVISOR

(A)=AW70V,SX-ID
 (B)=AW82V,SX-ID
 (C)=

(D)=
 (E)=
 (F)=

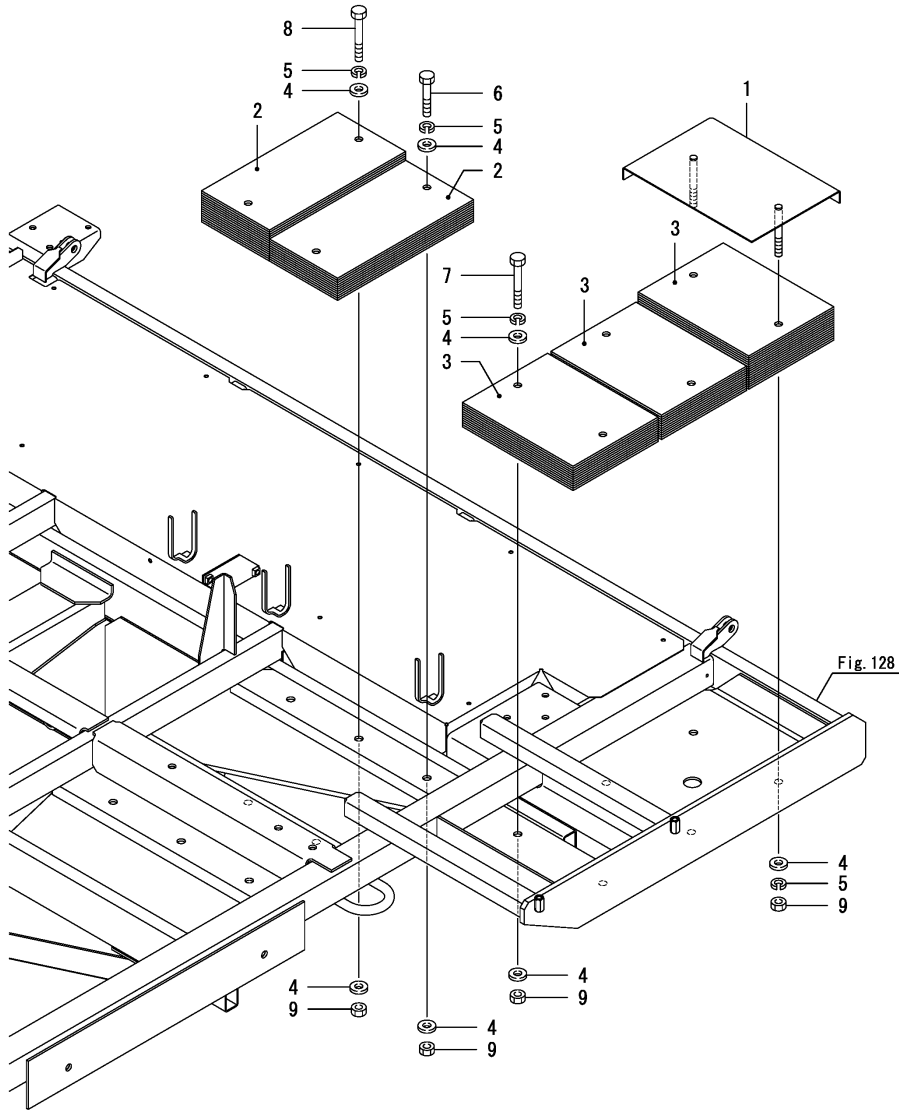


No.	Lev.	Parts No.	Description	Q'ty						I	R
				(A)	(B)	(C)	(D)	(E)	(F)		
1	1	1E6B30-69002	FRAME,SUN VISOR	1	1						
2	1	1E6B30-69200	FRAME,VISOR	1	1						
3	1	1E6B35-69301	BASE,VISOR T	1	1						
4	1	1E6C80-69500	SUN VISOR	1	1						
5	1	1E6C40-69550	SHEET,SUN VISOR	1	1						
6	1	1E6C45-69600	SUPPORT, A	1	1						
7	1	1E6B30-69950	SCREW,KNOB M10X20	4	4						
8	1	1E6B30-69960	BOLT,STEPPED 16X36	2	2						
9	1	1E6B30-69970	GROMMET,10X2	4	4						
10	1	22137-140000	WASHER, 14	4	4						
11	1	22137-160000	WASHER, 16	2	2						
12	1	22157-080000	WASHER, 8	8	8						
13	1	26014-080202	BOLT, M8X 20	6	6						
14	1	26014-080202	BOLT, M8X 20	10	10						
15	1	26014-100202	BOLT, M10X 20	4	4						
16	1	26116-080452	BOLT, M8X 45 PLATED	4	4						
17	1	26347-080002	NUT, M8	4	4						

Fig.129. WEIGHT

(A)=AW70V,SX-ID
 (B)=AW82V,SX-ID
 (C)=

(D)=
 (E)=
 (F)=

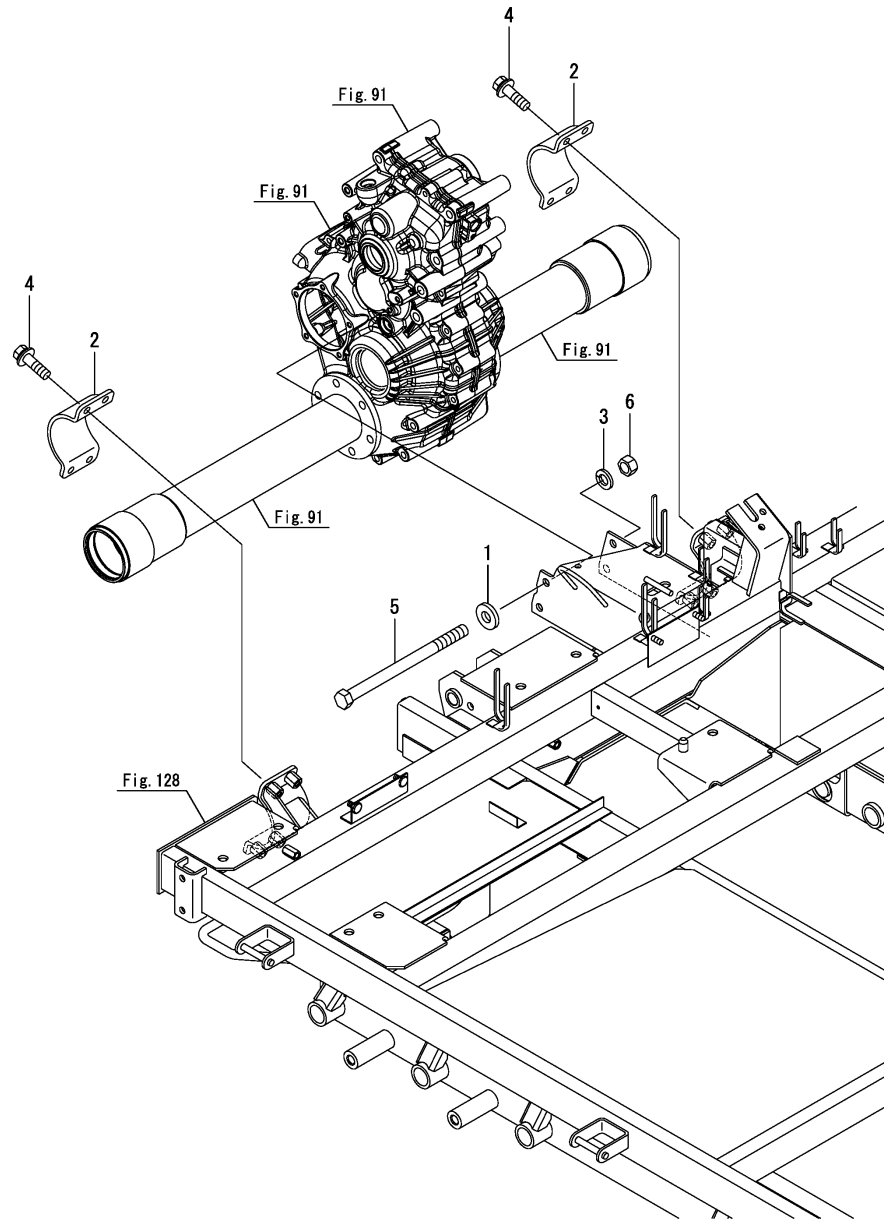


No.	Lev.	Parts No.	Description	Q'ty						I	R
				(A)	(B)	(C)	(D)	(E)	(F)		
1	1	1E6C40-73400	COVER ASSY, WEIGHT	1	1						
2	1	1E6B30-73410	WEIGHT, 1.8	24	24						
3	1	1E6B30-73440	WEIGHT, 1.8A	37	37						
4	1	22137-120000	WASHER, 12	18	18						
5	1	22217-120000	WASHER, SPRING 12	10	10						
6	1	26116-120802	BOLT, M12X 80 PLATED	2	2						
7	1	26116-120902	BOLT, M12X 90 PLATED	4	4						
8	1	26116-121002	BOLT, M12X100 PLATED	2	2						
9	1	26717-120002	NUT, M12	10	10						

Fig.130. TRANSMISSION MOUNT

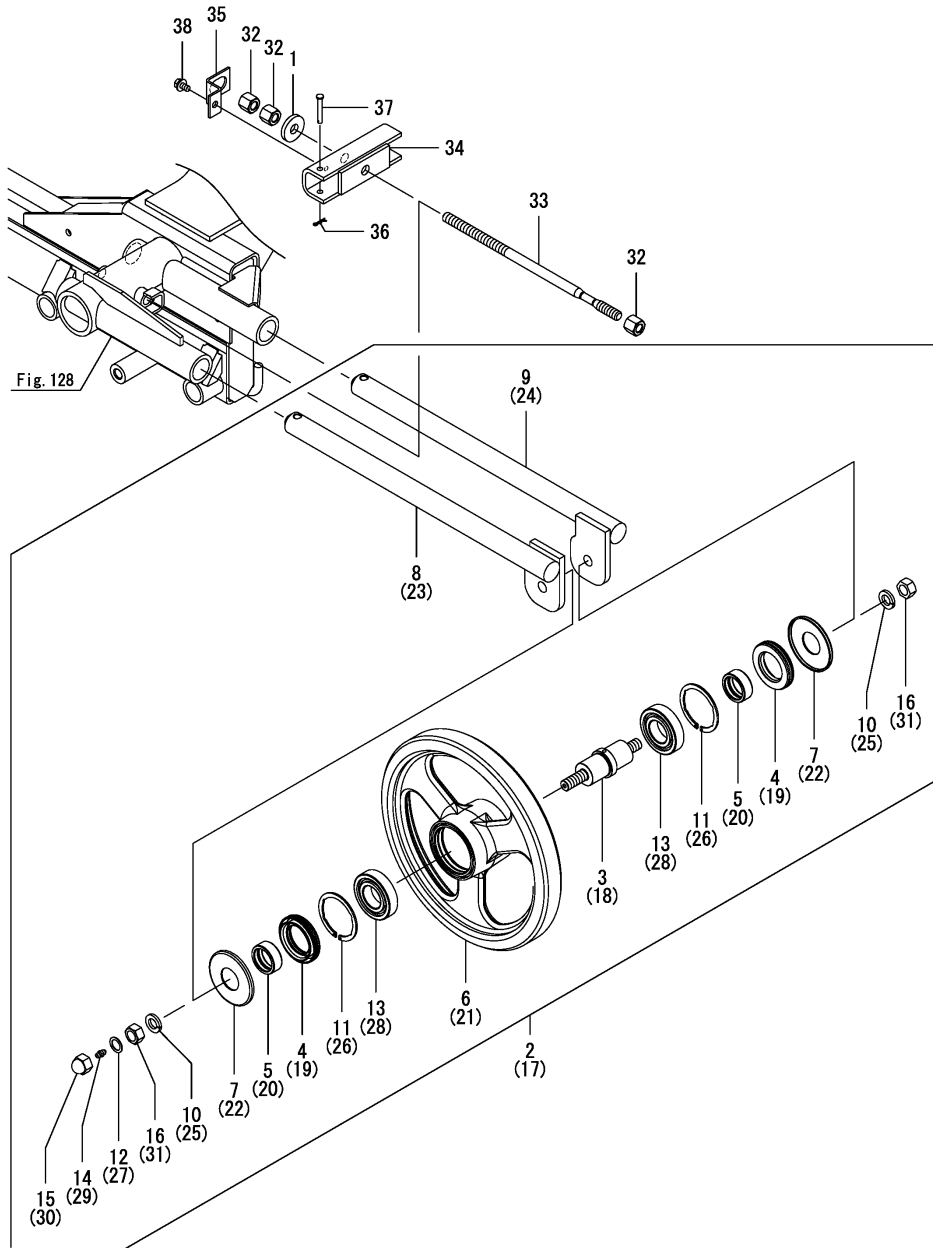
(A)=AW70V,SX-ID
 (B)=AW82V,SX-ID
 (C)=

(D)=
 (E)=
 (F)=



No.	Lev.	Parts No.	Description	Q'ty						I	R
				(A)	(B)	(C)	(D)	(E)	(F)		
1	1	1E8559-12500	WASHER 12X28X4.5	2	2						
2	1	1E6C40-72710	HOLDER,AXLE	2	2						
3	1	22217-120000	WASHER, SPRING 12	2	2						
4	1	26014-100352	BOLT 10X35	8	8						
5	1	26116-121702	BOLT, M12X170 PLATED	2	2						
6	1	26717-120002	NUT, M12	2	2						

Fig.131. IDLER



(A)=AW70V,SX-ID
(B)=AW82V,SX-ID
(C)=

(D)=
(E)=
(F)=

No.	Lev.	Parts No.	Description	Qty						I	R
				(A)	(B)	(C)	(D)	(E)	(F)		
1	1	1E9060-51720	PLATE, 15X40X6	2	2						
2	1	7E6C45-73000	IDLER ASSY,VL	1	1						
3	2	1E6C40-73020	SHAFT,IDLER	1	1						
4	2	1E6680-73031	SEAL, 45X72X12	2	2						
5	2	1E6680-73040	SLEEVE, 35X45X17	2	2						
6	2	1E6C45-73060	IDLER,335	1	1						
7	2	1E6C40-73080	COVER,DUST 81	2	2						
8	2	1E6C40-73152	METAL,IDLER A	1	1						
9	2	1E6C40-73162	METAL,IDLER B	1	1						
10	2	22212-160000	SPRING WAHER 16	2	2						
11	2	22252-000721	RING, 72	2	2						
12	2	23414-160000	GASKET, 16X1.0	1	1						
13	2	24101-062074	BEARING, BALL 6207	2	2						
14	2	24761-060000	NIPPLE, GREASE MT6X1	1	1						
15	2	26677-160002	NUT, CAP 16	1	1						
16	2	26737-160002	NUT, M16	2	2						
17	1	7E6C45-73010	IDLER ASSY,VR	1	1						
18	2	1E6C40-73020	SHAFT,IDLER	1	1						
19	2	1E6680-73031	SEAL, 45X72X12	2	2						
20	2	1E6680-73040	SLEEVE, 35X45X17	2	2						
21	2	1E6C45-73060	IDLER,335	1	1						
22	2	1E6C40-73080	COVER,DUST 81	2	2						
23	2	1E6C40-73152	METAL,IDLER A	1	1						
24	2	1E6C40-73162	METAL,IDLER B	1	1						
25	2	22212-160000	SPRING WAHER 16	2	2						
26	2	22252-000721	RING, 72	2	2						
27	2	23414-160000	GASKET, 16X1.0	1	1						
28	2	24101-062074	BEARING, BALL 6207	2	2						
29	2	24761-060000	NIPPLE, GREASE MT6X1	1	1						
30	2	26677-160002	NUT, CAP 16	1	1						
31	2	26737-160002	NUT, M16	2	2						
32	1	1E8380-73020	NUT, M14	6	6						
33	1	1E9060-73031	BOLT, TENSION 350	2	2						
34	1	1E6B30-73040-1	BRACKET, ID.TENSION	2	2						
35	1	1E9060-73050	STOPPER	2	2						
36	1	22372-060000	PIN, SNAP 6	2	2						
37	1	22487-060400	PIN 6X 40	2	2						
38	1	26014-080162	BOLT, M8X 16	2	2						

Fig.132. TRACK ROLLER

(A)=AW70V,SX-ID
(B)=AW82V,SX-ID
(C)=

(D)=
(E)=
(F)=

No.	Lev.	Parts No.	Description	Q'ty						I	R
				(A)	(B)	(C)	(D)	(E)	(F)		
1	1	1E6B30-73200	ROLLER ASSY, TRACK B	4	4						
2	2	1E8361-35430	BEARING 6206R	8	8						
3	2	1E9060-73010	ROLLER, TRACK B	4	4						
4	2	1E8559-73030	COLLAR 31*40*34	4	4						
5	2	1E8559-73060	SEAL 40X62X12	4	4						
6	2	1E6B30-73070	SLEEVE, 30X40X17	4	4						
7	2	1E8559-73080	COVER, DUST 71	4	4						
8	2	1E8559-73100	BOLT A	4	4						
9	2	1E6B30-73250	SHAFT,TRACK ROLLER	4	4						
10	2	1E8559-73540	CAP	4	4						
11	2	22252-000620	RING, 62	4	4						
12	2	24761-060000	NIPPLE, GREASE MT6X1	4	4						
13	1	1E6B30-73260	WASHER,LOCKING	4	4						
14	1	22137-140000	WASHER, 14	4	4						
15	1	22217-140000	WASHER, SPRING 14	4	4						
16	1	26156-140352	BOLT, M14X 35 PLATED	4	4						

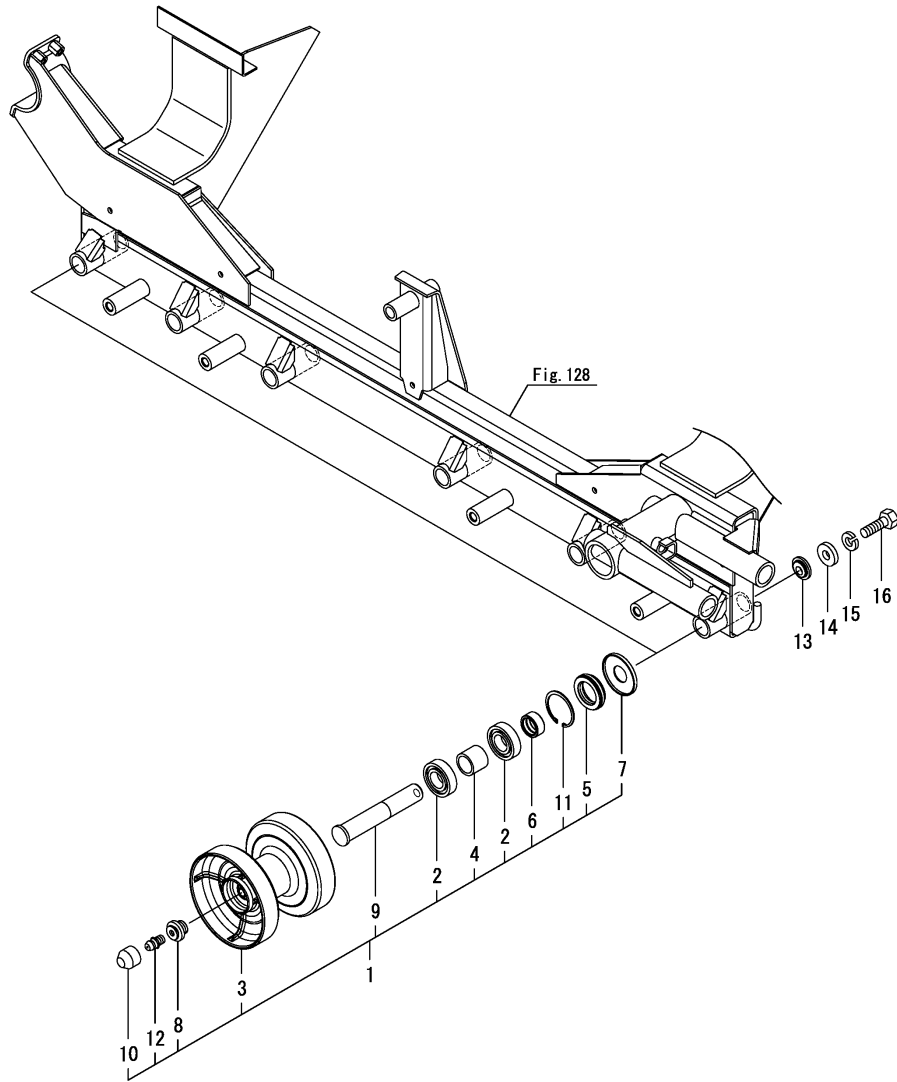
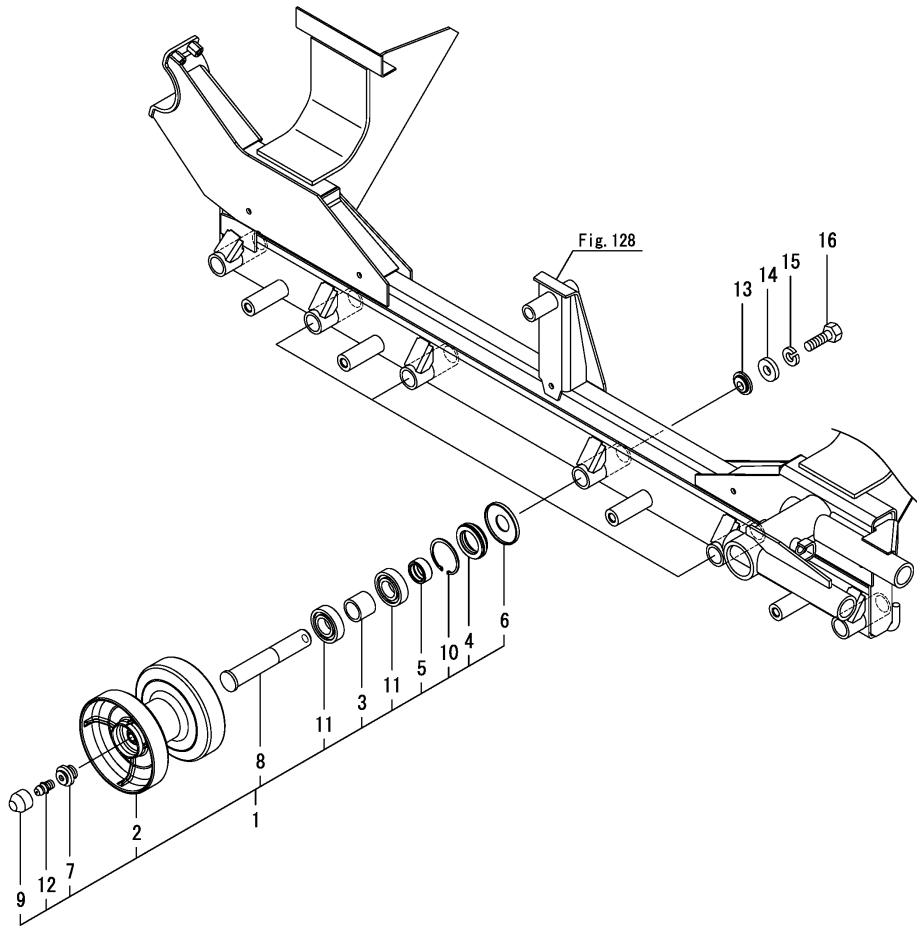


Fig.133. TRACK ROLLER



(A)=AW70V,SX-ID
(B)=AW82V,SX-ID
(C)=

(D)=
(E)=
(F)=

No.	Lev.	Parts No.	Description	Q'ty						I	R
				(A)	(B)	(C)	(D)	(E)	(F)		
1	1	1E6B30-73210	ROLLER ASSY, TRACK A	8	8						
2	2	1E9061-73000	ROLLER A, TRACK	8	8						
3	2	1E8559-73030	COLLAR 31*40*34	8	8						
4	2	1E8559-73060	SEAL 40X62X12	8	8						
5	2	1E6B30-73070	SLEEVE, 30X40X17	8	8						
6	2	1E8559-73080	COVER, DUST 71	8	8						
7	2	1E8559-73100	BOLT A	8	8						
8	2	1E6B30-73250	SHAFT,TRACK ROLLER	8	8						
9	2	1E8559-73540	CAP	8	8						
10	2	22252-000620	RING, 62	8	8						
11	2	24101-062064	BEARING, BALL 6206	16	16						
12	2	24761-060000	NIPPLE, GREASE MT6X1	8	8						
13	1	1E6B30-73260	WASHER,LOCKING	8	8						
14	1	22137-140000	WASHER, 14	8	8						
15	1	22217-140000	WASHER, SPRING 14	8	8						
16	1	26156-140352	BOLT, M14X 35 PLATED	8	8						

Fig.134. CRAWLER GUIDE

(A)=AW70V,SX-ID
 (B)=AW82V,SX-ID
 (C)=

(D)=
 (E)=
 (F)=

No.	Lev.	Parts No.	Description	Q'ty						I	R
				(A)	(B)	(C)	(D)	(E)	(F)		
1	1	1E6C40-73500	GUIDE, CRAWLER FRONT	2	2						
2	1	1E6C45-73520	GUIDE, CRAWLER REAR	2	2						
3	1	22217-160000	WASHER, SPRING 16	8	8						
4	1	26156-160552	BOLT, M16X 55 PLATED	8	8						

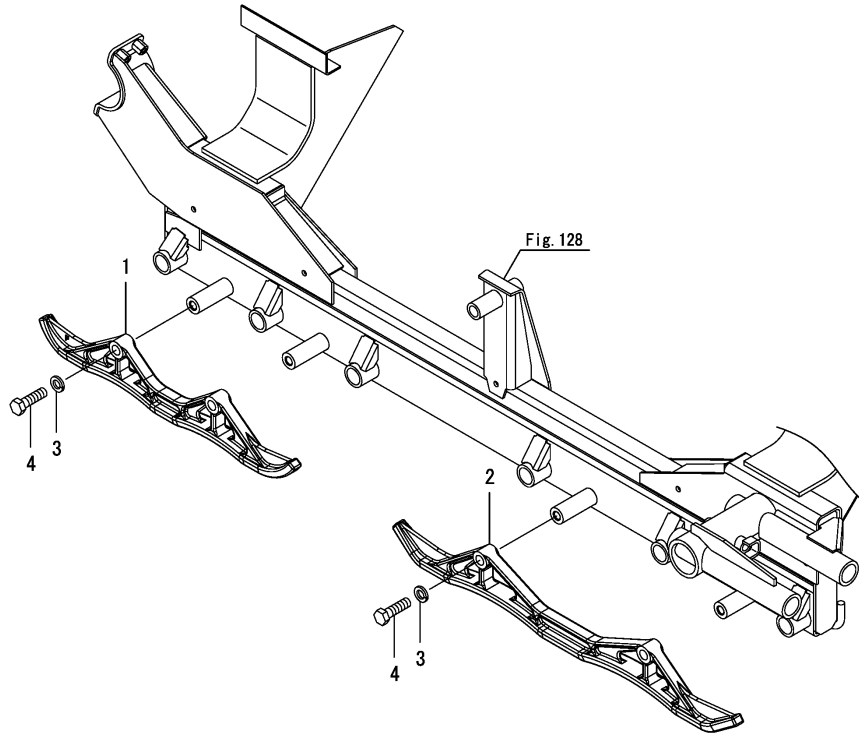
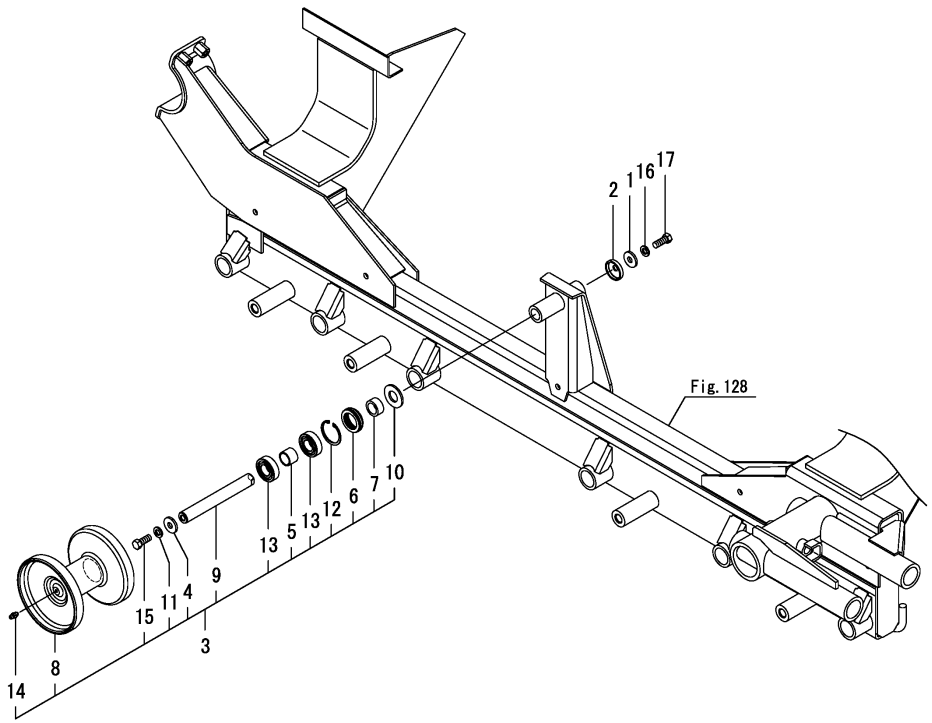


Fig.136. CARRIER ROLLER

(A)=AW70V,SX-ID
(B)=AW82V,SX-ID
(C)=

(D)=
(E)=
(F)=

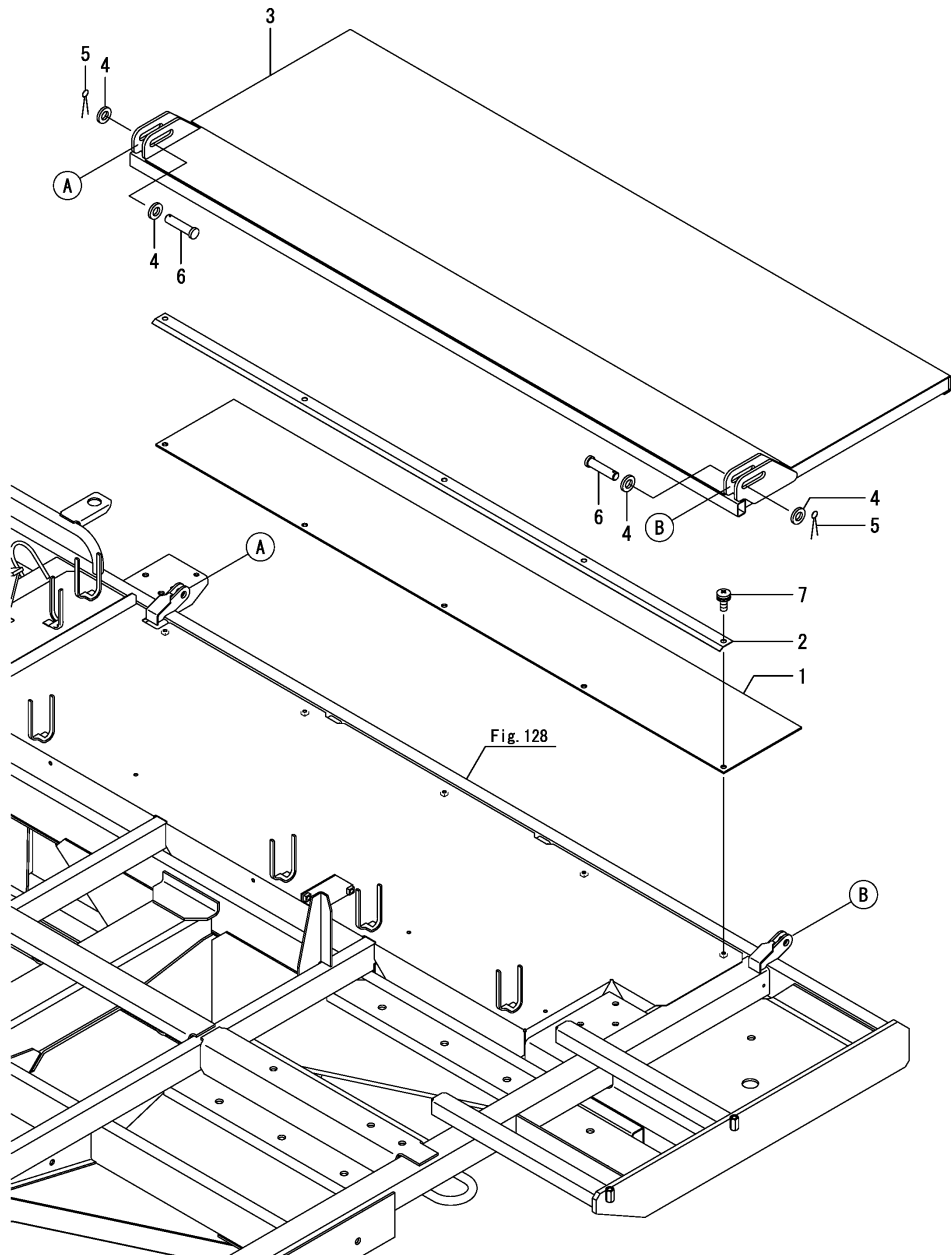


No.	Lev.	Parts No.	Description	Q'ty						I	R
				(A)	(B)	(C)	(D)	(E)	(F)		
1	1	1E8559-17110	COLLAR, 10.5X28X3.2	2	2						
2	1	1E8559-73200	LOCKINGS	2	2						
3	1	7E6C40-73500	ROLLER ASSY, CARRIER	2	2						
4	2	1E8559-17110	COLLAR, 10.5X28X3.2	2	2						
5	2	1E8559-73130	COLLAR, 20.4X25X18	2	2						
6	2	1E8420-73150	SEAL, DC28429	2	2						
7	2	1E8420-73160	SLEEVE, 20X28X13	2	2						
8	2	1E8559-73500	ROLLER, CARRIER 138	2	2						
9	2	1E8559-73530	SHAFT	2	2						
10	2	1E8450-73770-1	PLATE, SEAL SIDE	2	2						
11	2	22217-100000	WASHER, SPRING 10	2	2						
12	2	22252-000420	RING, 42	2	2						
13	2	24101-060044	BEARING, BALL 6004	4	4						
14	2	24761-060000	NIPPLE, GREASE MT6X1	2	2						
15	2	26156-100252	BOLT, M10X 25 PLATED	2	2						
16	1	22217-100000	WASHER, SPRING 10	2	2						
17	1	26156-100252	BOLT, M10X 25 PLATED	2	2						

Fig.138. BASE(AUXILIARY PADDY CATCH)

(A)=AW70V,SX-ID
 (B)=AW82V,SX-ID
 (C)=

(D)=
 (E)=
 (F)=

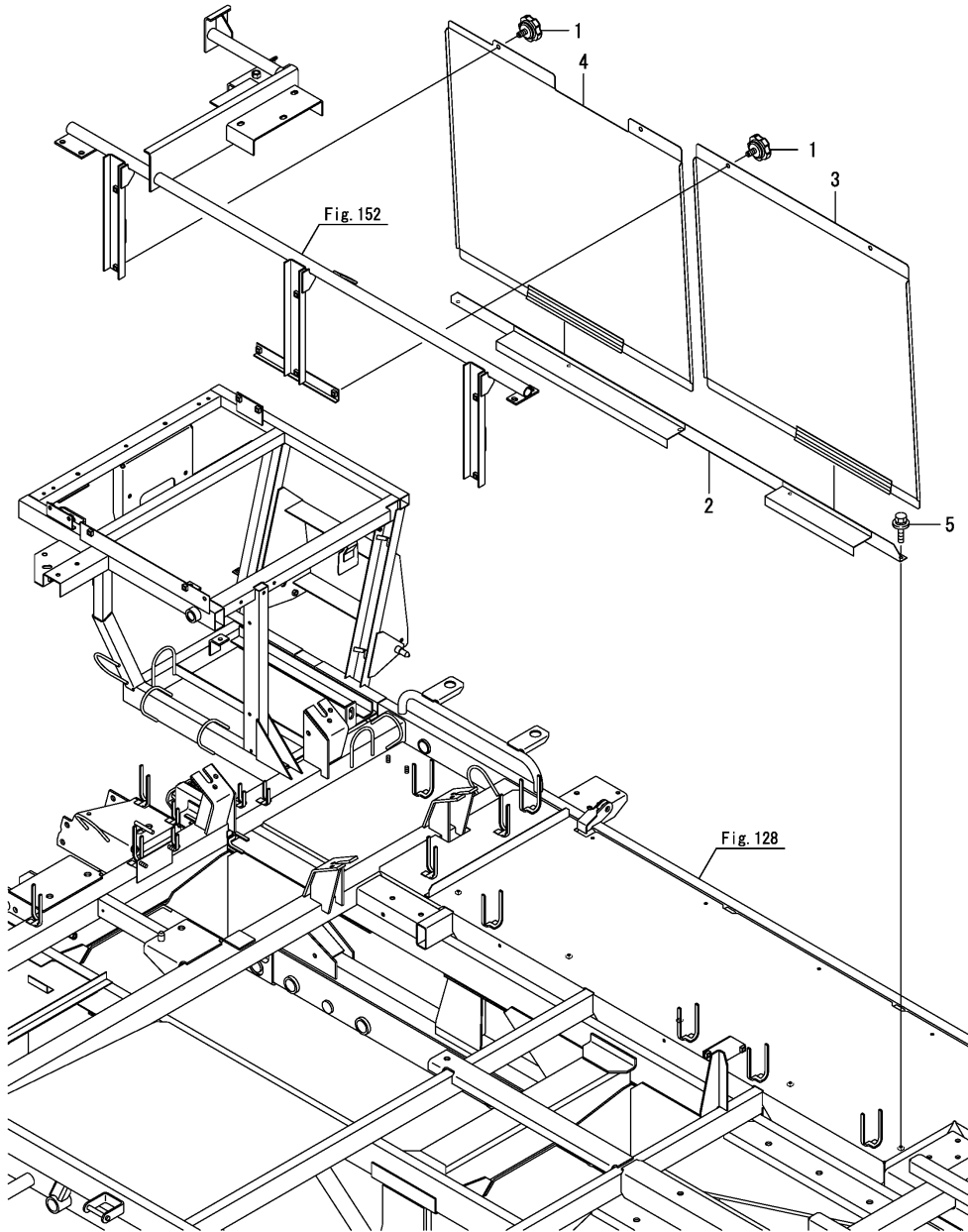


No.	Lev.	Parts No.	Description	Q'ty						I	R
				(A)	(B)	(C)	(D)	(E)	(F)		
1	1	1E9061-74010	RUBBER,PADDY CA.BASE	1	1						
2	1	1E9061-74020	RETAI, PADDY CA.RUB.	1	1						
3	1	1E6B35-74201	BASE, AUX.PDY CA	1	1						
4	1	22137-120000	WASHER, 12	4	4						
5	1	22417-250250	PIN, COTTER 2.5X25	2	2						
6	1	22487-120450	PIN, H12X 45	2	2						
7	1	26033-060162	SCREW, M6X16	5	5						

Fig.140. PADDY BAG(GUARD)

(A)=AW70V,SX-ID
 (B)=AW82V,SX-ID
 (C)=

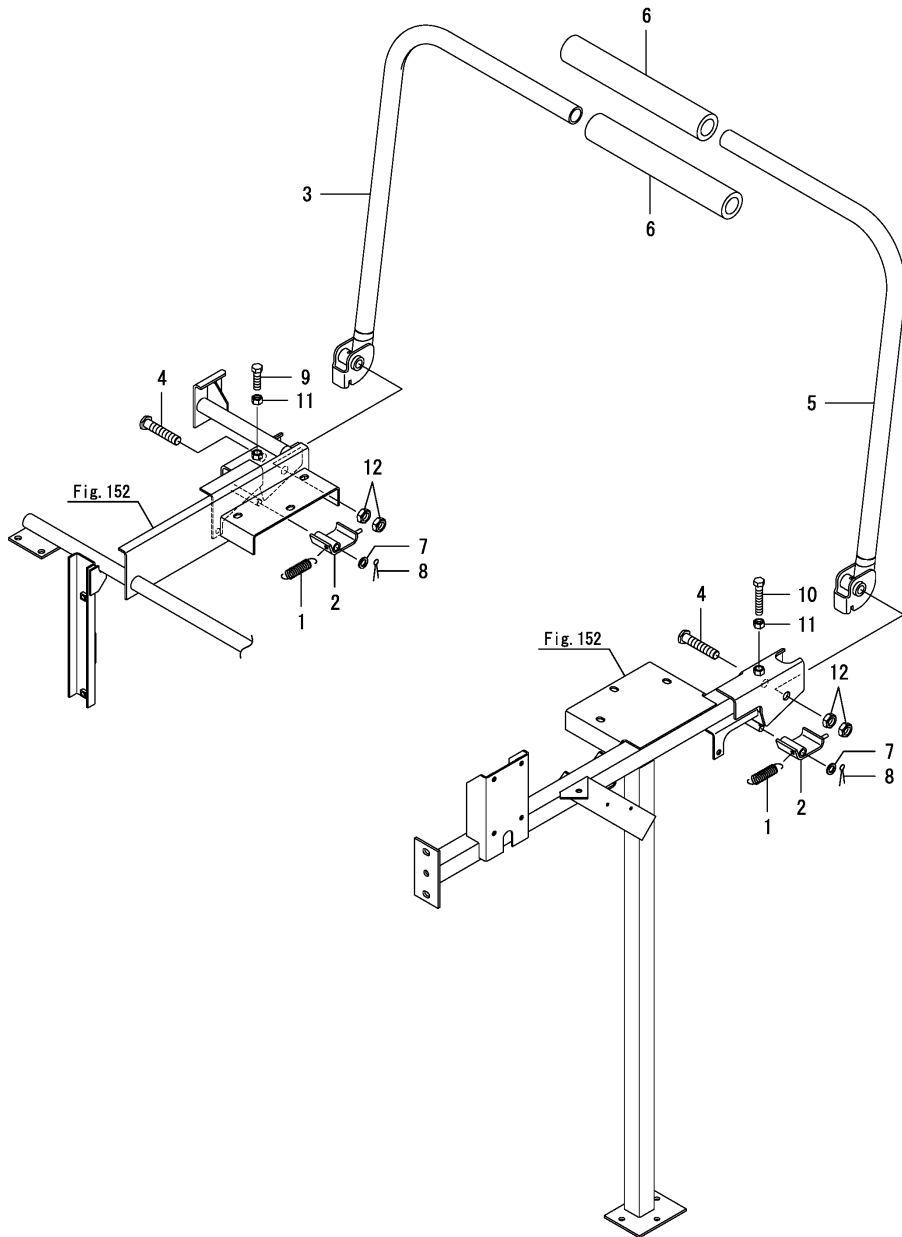
(D)=
 (E)=
 (F)=



No.	Lev.	Parts No.	Description	Q'ty						I	R
				(A)	(B)	(C)	(D)	(E)	(F)		
1	1	1E8559-48150	BOLT M8X15,WING	4	4						
2	1	1E6B35-74300-1	BASE,COVER	1	1						
3	1	1E6B35-74700	COVER,PADDY CAT LO	1	1						
4	1	1E9060-74800	COVER,PDDY.CA.LOWER	1	1						
5	1	26014-060122	BOLT, M6X 12	5	5						

(A)=AW70V,SX-ID
 (B)=AW82V,SX-ID
 (C)=

(D)=
 (E)=
 (F)=

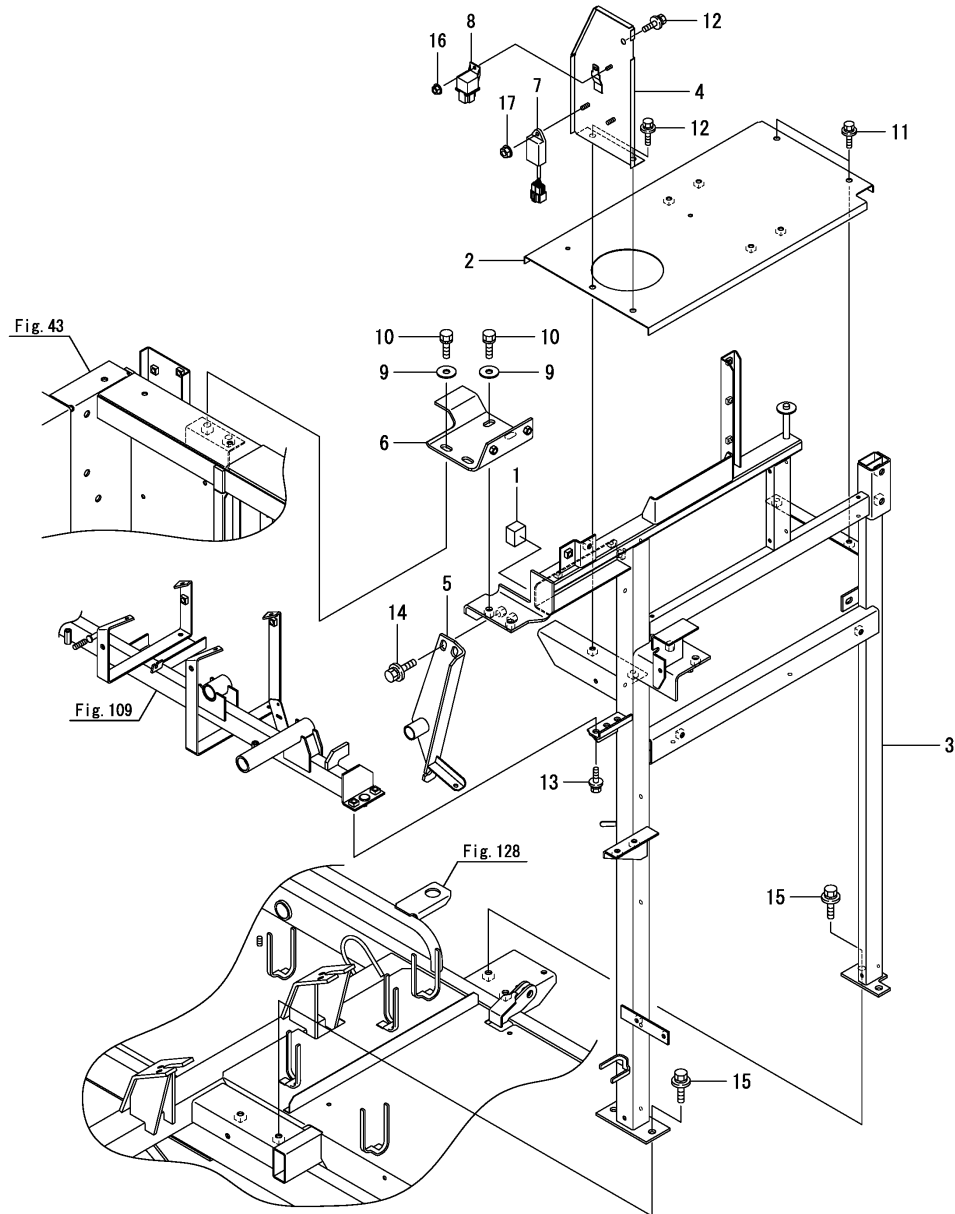


No.	Lev.	Parts No.	Description	Q'ty						I	R
				(A)	(B)	(C)	(D)	(E)	(F)		
1	1	1E8559-35700	SPRING 2.3X17.3X74	2	2						
2	1	1E8559-74350-1	LOCK, GUARD	2	2						
3	1	1E6B35-74502-1	GUARD,ASSISTANT	1	1						
4	1	1E8559-74500	BOLT,SHOULDER PAD	2	2						
5	1	1E6B35-74552-1	GUARD,ASSISTANT R	1	1						
6	1	1E6B35-74610	GUARD,SAFETY	2	2						
7	1	22117-120000	WASHER, 12	2	2						
8	1	22417-320200	PIN, COTTER 3.2X20	2	2						
9	1	26116-120404	BOLT, M12X 40 PLATED	1	1						
10	1	26116-120654	BOLT, M12X 65 PLATED	1	1						
11	1	26717-120002	NUT, M12	2	2						
12	1	26757-160002	NUT, LOCK M16	4	4						

Fig.142. ENGINE ROOM FRAME

(A)=AW70V,SX-ID
 (B)=AW82V,SX-ID
 (C)=

(D)=
 (E)=
 (F)=

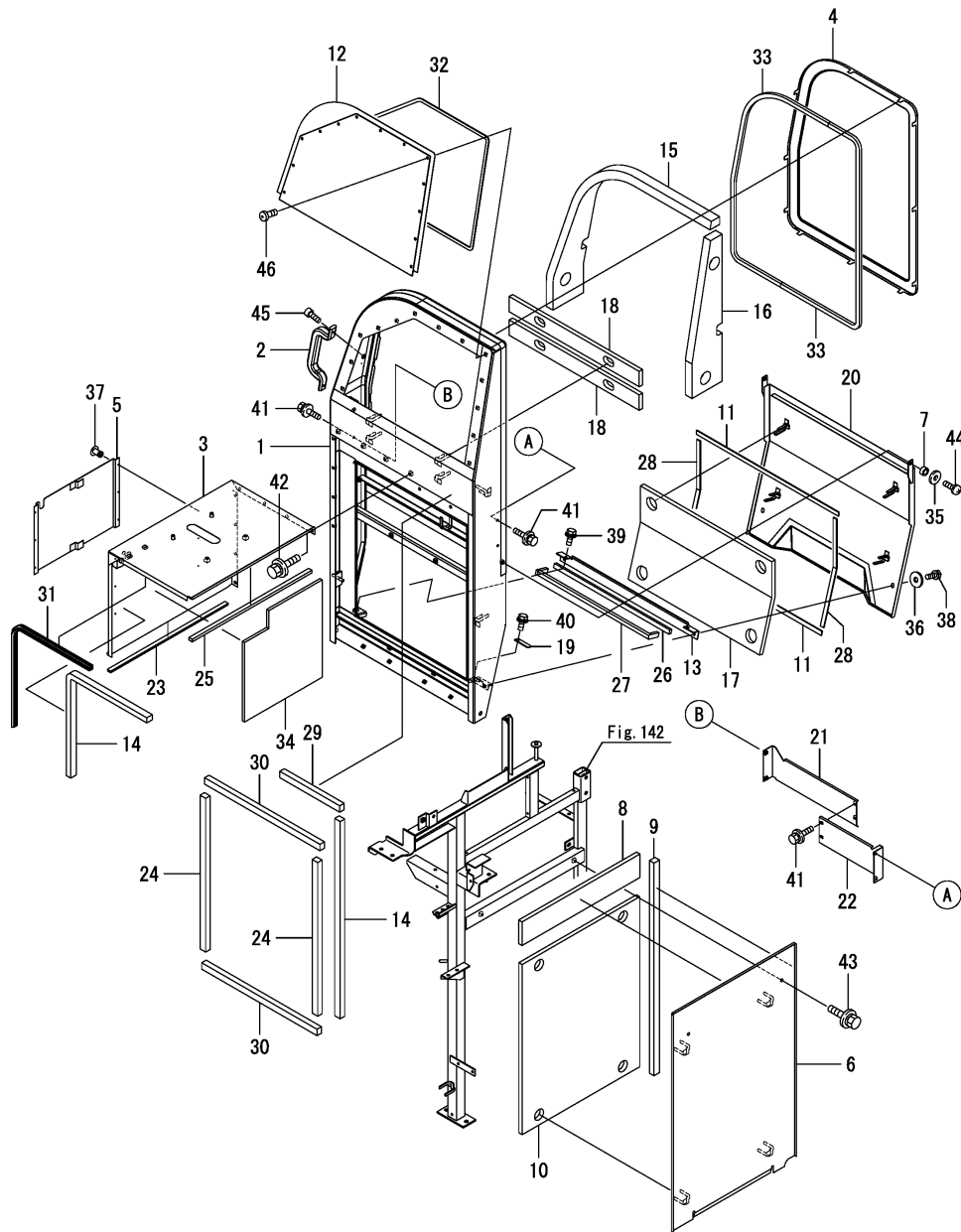


No.	Lev.	Parts No.	Description	Q'ty						I	R
				(A)	(B)	(C)	(D)	(E)	(F)		
1	1	1E6C80-65470	SPONGE,K CLUTCH E	1	1						
2	1	1E6C40-75970	FRAME ASSY,ROOM REAR	1	1						
3	1	1E6C43-76000	FRAME, ENGINE ROOM	1	1						
4	1	1E6C43-76400	COVER, SIDE E.ROOM	1	1						
5	1	1E6C80-76400	PLATE, SUPPORT	1	1						
6	1	1E6C80-76900	BRACKET, ED	1	1						
7	1	129211-77920	TIMER	1	1						
8	1	1E6C30-82000	RELAY,ISO 30A	1	1						
9	1	22157-100000	WASHER, 10	4	4						
10	1	26013-100252	BOLT, M10X 25	4	4						
11	1	26014-080202	BOLT, M8X 20	2	2						
12	1	26014-080202	BOLT, M8X 20	3	3						
13	1	26014-080202	BOLT, M8X 20	2	2						
14	1	26014-100252	BOLT, M10X 25	2	2						
15	1	26014-100252	BOLT, M10X 25	4	4						
16	1	26367-050002	NUT, M5	1	1						
17	1	26367-060002	NUT, M6	1	1						

Fig.143. ENGINE COVER(1)

(A)=AW70V,SX-ID
(B)=AW82V,SX-ID
(C)=

(D)=
(E)=
(F)=

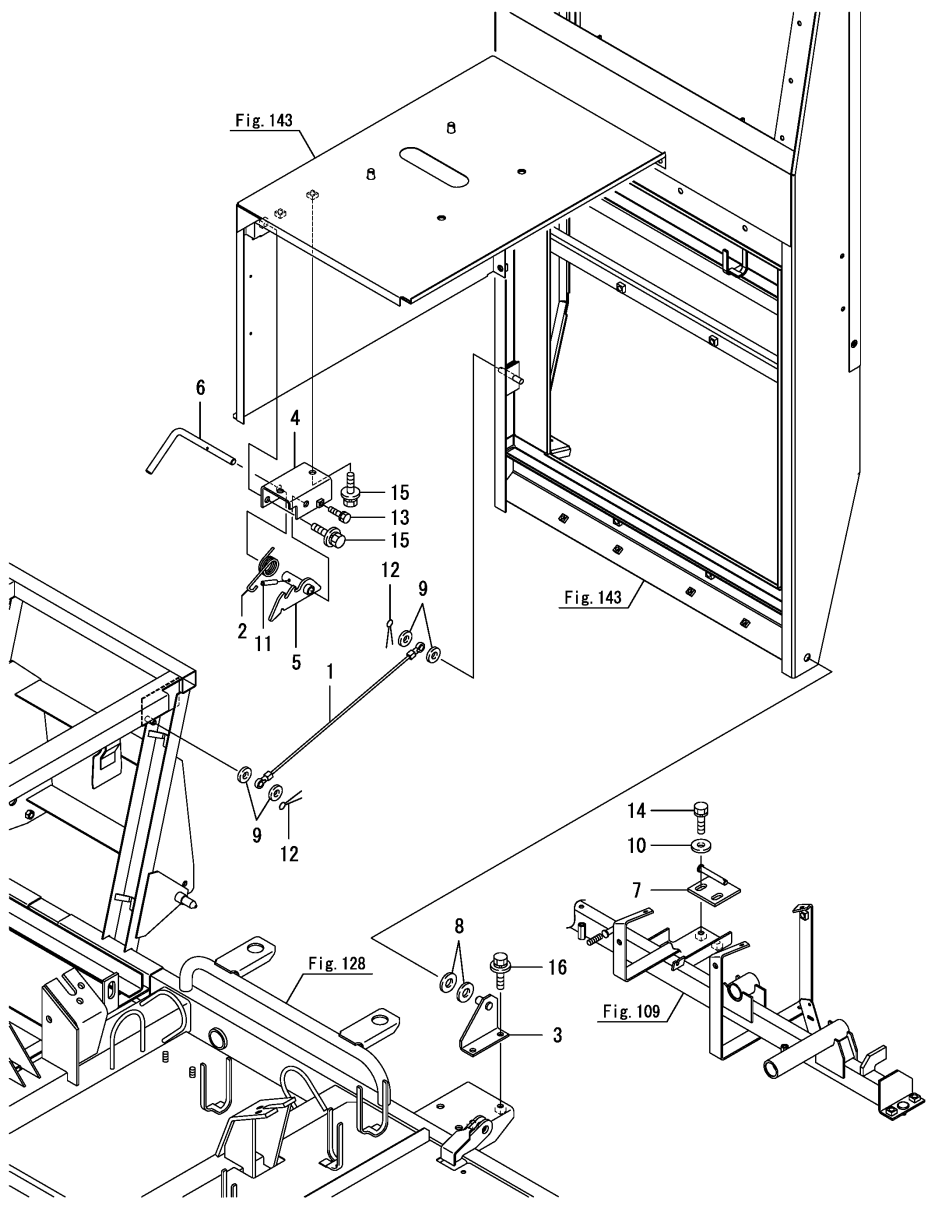


No.	Lev.	Parts No.	Description	Q'ty						I	R
				(A)	(B)	(C)	(D)	(E)	(F)		
1	1	1E9063-75000-1	ROOM, ENGINE A	1	1						
2	1	1E8552-75110	HANDRAIL	1	1						
3	1	1E6C40-75301-1	ROOM, ENGINE B	1	1						
4	1	1E6C40-75381	SCREEN, DUSTPROOF	1	1						
5	1	1E6C40-75400-1	COVER ASSY, EROOM	1	1						
6	1	1E6C45-75401	COVER, ROOM REAR TS	1	1						
7	1	1E8550-75440	COLLAR 6.5*10.5*5	2	2						
8	1	1E6C40-75450	SHEET,E REAR COV.UP	1	1						
9	1	1E6C40-75471	SHEET,E REAR COVER R	1	1						
10	1	1E6C45-75481	SHEET,ER COVER LO TS	1	1						
11	1	1E9060-75490	SEAL, 3X15X640	2	2						
12	1	1E6C40-75501-1	SCREEN, BACK	1	1						
13	1	1E6C40-75550-1	BRACKET,LO. COVER	1	1						
14	1	1E8559-75580	SEAL 20*25*770	2	2						
15	1	1E6C40-75611	SHEET,E ROOM FRONT	1	1						
16	1	1E6C40-75621	SHEET,E ROOM REAR	1	1						
17	1	1E6C40-75631	SHEET,E ROOM RIGHT	1	1						
18	1	1E6C40-75641	SHEET,E ROOM LEFT	2	2						
19	1	1E6C40-75670-1	COVER,ROOM LOWER D	1	1						
20	1	1E6C40-75700-1	COVER,ROOM LOWER	1	1						
21	1	1E6C40-75750	PLATE, WIND GUIDE F	1	1						
22	1	1E6C40-75771	PLATE, WIND GUIDE R	1	1						
23	1	1E6B30-75800	SEAL, 5X15X530	1	1						
24	1	1E6C40-75801	SEAL, 20X25X600	2	2						
25	1	1E6B30-75810	SEAL, 10X15X540	1	1						
26	1	1E6C40-75810	SEAL, 10X15X520	1	1						
27	1	1E6C40-75820	SEAL, 10X15X590	1	1						
28	1	1E6C40-75830	SEAL, 3X15X400	2	2						
29	1	1E6C40-75840	SEAL, 20X25X270	1	1						
30	1	1E6B30-75852	SEAL, 20X25X550	2	2						
31	1	1E6C40-75850	SEAL, DUST 765	1	1						
32	1	1E6C40-75861	SEAL, 3X10X1710	1	1						
33	1	1E6C40-75870	SEAL, ROOM OUT SIDE	2	2						
34	1	1E6B30-75950	SHEET, INSULATOR	1	1						
35	1	22157-060000	WASHER, 6	2	2						
36	1	22157-060000	WASHER, 6	2	2						
37	1	22695-320481	RIVET, 3.2X 4.8	6	6						
38	1	26013-060162	BOLT, M6X 16	2	2						
39	1	26014-060162	BOLT, M6X 16	2	2						
40	1	26014-060162	BOLT, M6X 16	1	1						
41	1	26014-060162	BOLT, M6X 16	6	6						
42	1	26014-080162	BOLT, M8X 16	8	8						
43	1	26014-080162	BOLT, M8X 16	2	2						
44	1	26022-060162	SCREW, M6X16	2	2						
45	1	26450-060162	BOLT, M6X 16	2	2						
46	1	26587-060122	SCREW, M6X12	13	13						

Fig.144. ENGINE COVER(2)

(A)=AW70V,SX-ID
 (B)=AW82V,SX-ID
 (C)=

(D)=
 (E)=
 (F)=



No.	Lev.	Parts No.	Description	Q'ty						I	R
				(A)	(B)	(C)	(D)	(E)	(F)		
1	1	1E8540-35070	WIRE, STOP	1	1						
2	1	1E8559-75040	SPRING	1	1						
3	1	1E6B30-75180	BASE, FULCR.ENG.RO.	1	1						
4	1	1E8559-75320-2	SEAT	1	1						
5	1	1E8559-75340	ARM	1	1						
6	1	1E8559-75370	LEVER	1	1						
7	1	1E8559-75390	BRACKET	1	1						
8	1	22117-120000	WASHER, 12	2	2						
9	1	22137-080000	WASHER, 8	4	4						
10	1	22157-080000	WASHER, 8	2	2						
11	1	22351-030016	PIN, SPRING 3.0X16	1	1						
12	1	22417-200200	PIN, COTTER 2.0X20	2	2						
13	1	26013-060252	BOLT, M6X 25	1	1						
14	1	26013-080202	BOLT, M8X 20	2	2						
15	1	26014-080162	BOLT, M8X 16	3	3						
16	1	26014-080202	BOLT, M8X 20	2	2						

Fig.145. MIRROR

(A)=AW70V,SX-ID
 (B)=AW82V,SX-ID
 (C)=

(D)=
 (E)=
 (F)=

No.	Lev.	Parts No.	Description	Q'ty						I	R
				(A)	(B)	(C)	(D)	(E)	(F)		
1	1	1E6B30-34470	SPONGE, 5X18X18	1	1						
2	1	1E6B30-77101-1	STAY ASSY,MIRROR L	1	1						
3	1	1E6B30-77201-1	STAY ASSY,MIRROR R	1	1						
4	1	1E8550-77400-2	MIRROR, BACK L	2	2						
5	2	22217-080000	WASHER, SPRING 8	2	2						
6	2	26757-080002	NUT, LOCK M8	2	2						
7	1	1E8559-81240	CLAMP 30	1	1						
8	1	1E6C40-81500	LAMP ASSY, WORK 35W	1	1						
9	2	1E6C40-81510	BULB,35W	1	1						
10	1	1E6C40-81500	LAMP ASSY, WORK 35W	1	1						
11	2	1E6C40-81510	BULB,35W	1	1						
12	1	26014-080202	BOLT, M8X 20	2	2						
13	1	26014-080202	BOLT, M8X 20	2	2						
14	1	26367-080002	NUT, M8	2	2						

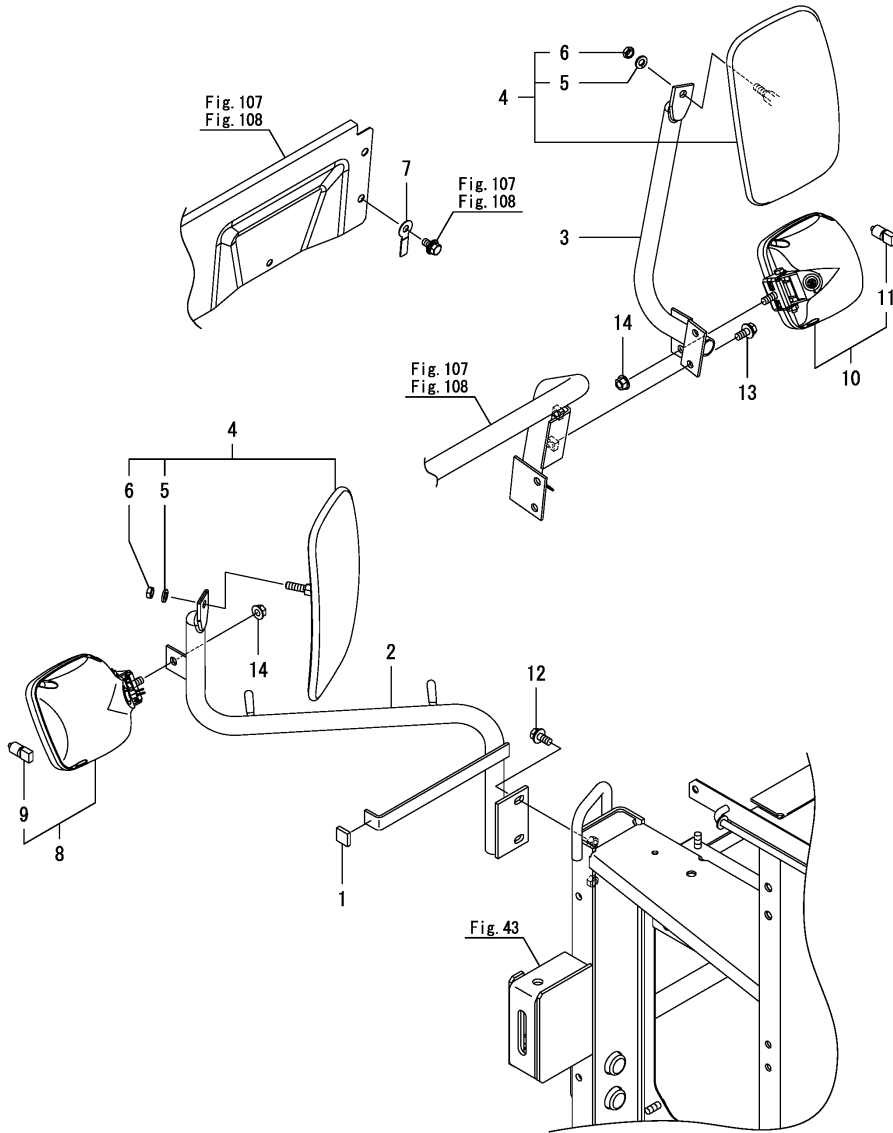
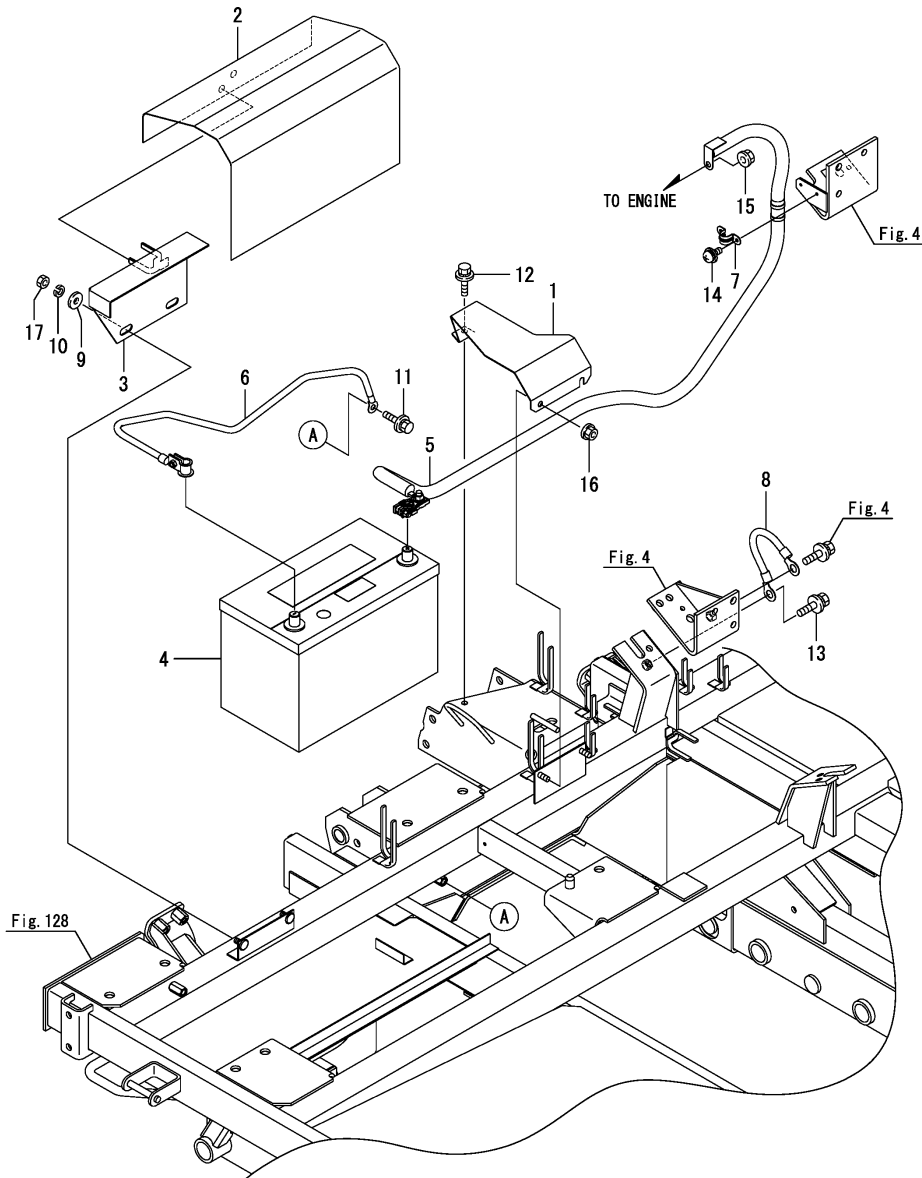


Fig.146. BATTERY

(A)=AW70V,SX-ID
 (B)=AW82V,SX-ID
 (C)=

(D)=
 (E)=
 (F)=

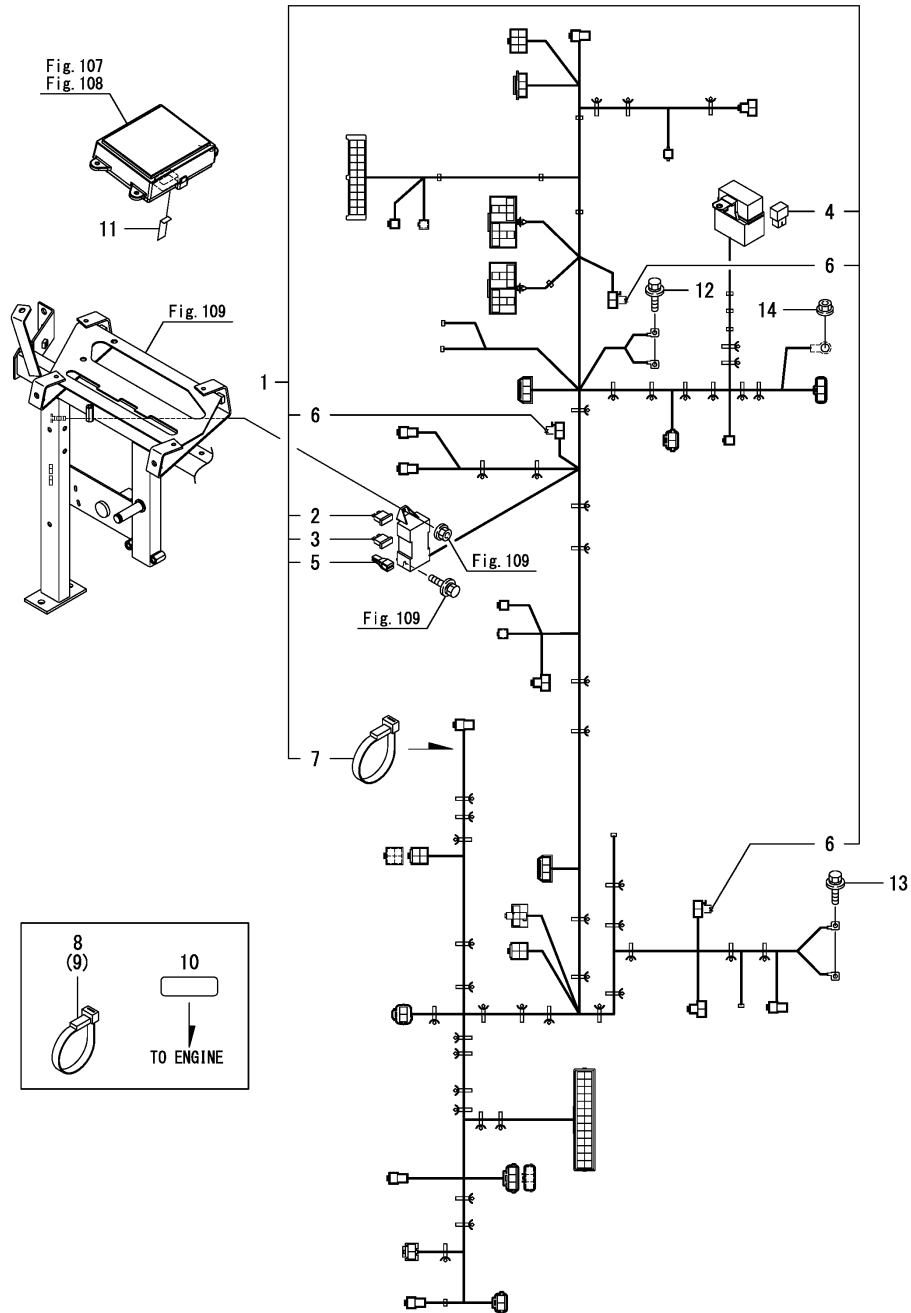


No.	Lev.	Parts No.	Description	Q'ty						I	R
				(A)	(B)	(C)	(D)	(E)	(F)		
1	1	1E6C40-83151-1	COVER, HARNESS	1	1						
2	1	1E6B30-83170	COVER,BATTERY	1	1						
3	1	1E6B30-83180	PLATE, BATTERY FIX	1	1						
4	1	1E6B00-83200	BATTERY,95D31L	1	1						
5	1	1E6C40-83200	CABLE, + BATTERY	1	1						
6	1	1E6C45-83220	CABLE, - BATTERY	1	1						
7	1	1E6681-83430	HOLDER, CABLE	1	1						
8	1	1E8809-83900	WIRE, EARTH 13X200	1	1						
9	1	22157-080000	WASHER, 8	2	2						
10	1	22217-080000	WASHER, SPRING 8	2	2						
11	1	26014-080202	BOLT, M8X 20	1	1						
12	1	26014-080202	BOLT, M8X 20	1	1						
13	1	26014-100202	BOLT, M10X 20	1	1						
14	1	26023-050122	SCREW, M5X12	2	2						
15	1	26367-080002	NUT, M8	1	1						
16	1	26367-080002	NUT, M8	2	2						
17	1	26717-080002	NUT, M8	2	2						

Fig.147. WIRE HARNESS

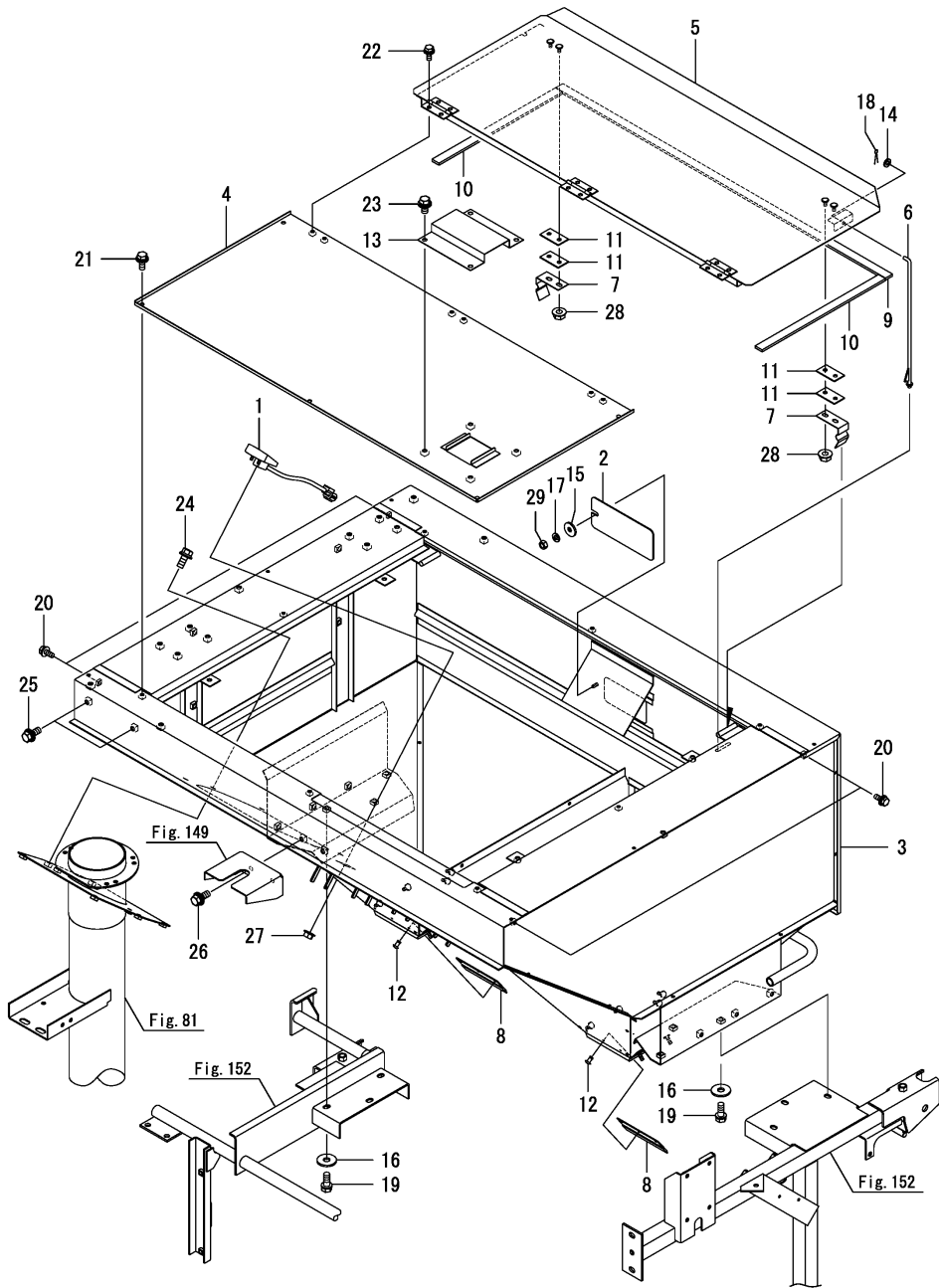
(A)=AW70V,SX-ID
 (B)=AW82V,SX-ID
 (C)=

(D)=
 (E)=
 (F)=



No.	Lev.	Parts No.	Description	Q'ty						I	R
				(A)	(B)	(C)	(D)	(E)	(F)		
1	1	1E6C48-84000	HARNESS ASSY	1	1						
2	2	1E8665-83150	FUSE, MINI 5A	7	7						
3	2	1E8665-83170	FUSE, MINI 15A	4	4						
4	2	1E8540-83220	FUSE, SLOW BLOW 60A	2	2						
5	2	1E8970-84820	PULLER, FUSE	1	1						
6	2	1E8235-84910	DIODE, 090 31	3	3						
7	2	1E8559-84960	CABLE BAND 250	1	1						
8	1	1E8559-84960	CABLE BAND 250	1	1						
9	1	1E8559-84970	BAND 140	4	4						
10	1	1E8550-97880	LABEL, METER	1	1						
11	1	1E8550-97880	LABEL, METER	1	1						
12	1	26014-080162	BOLT, M8X 16	1	1						
13	1	26014-080162	BOLT, M8X 16	1	1						
14	1	26367-060002	NUT, M6	1	1						

Fig.150. TOP SACKER TANK



(A)=AW70V,SX-ID
(B)=AW82V,SX-ID
(C)=

(D)=
(E)=
(F)=

No.	Lev.	Parts No.	Description	Q'ty						I	R
				(A)	(B)	(C)	(D)	(E)	(F)		
1	1	1E8560-81740	SENSOR, GRAIN	1	1						
2	1	1E8559-91300	WINDOW T,PEEP	1	1						
3	1	1E6B30-91500-1	TANK,HOPPER	1	1						
4	1	1E6B30-91701-1	COVER ASSY, UPPER	1	1						
5	1	1E6B30-91750-1	COVER ASSY,OPEN-SHUT	1	1						
6	1	1E6B30-91801	STOPPER, OPEN-SHUT	1	1						
7	1	1E6B30-91830	SPRING, LOCK	2	2						
8	1	1E8559-91850	RUBBER,SHUTTER GUIDE	2	2						
9	1	1E6B30-91920	SEAL,20X5X935	1	1						
10	1	1E6B30-91930	SEAL,20X5X350	2	2						
11	1	1E6B30-91980	SHIM,TS	4	4						
12	1	1E8550-91980	RIVET	6	6						
13	1	1E6B31-94580-1	GUARD,TANK DUCT B	1	1						
14	1	22117-060000	WASHER, 6	1	1						
15	1	22157-060000	WASHER, 6	1	1						
16	1	22157-080000	WASHER, 8	6	6						
17	1	22217-060000	WASHER, SPRING 6	1	1						
18	1	22417-160160	PIN, COTTER 1.6X16	1	1						
19	1	26013-080202	BOLT, M8X 20	6	6						
20	1	26014-060162	BOLT, M6X 16	4	4						
21	1	26014-060162	BOLT, M6X 16	5	5						
22	1	26014-060162	BOLT, M6X 16	6	6						
23	1	26014-080162	BOLT, M8X 16	4	4						
24	1	26014-080202	BOLT, M8X 20	6	6						
25	1	26014-080202	BOLT, M8X 20	2	2						
26	1	26014-080202	BOLT, M8X 20	2	2						
27	1	26367-050002	NUT, M5	2	2						
28	1	26367-060002	NUT, M6	4	4						
29	1	26717-060002	NUT, M6	1	1						

Fig.151. SHUTTER

(A)=AW70V,SX-ID
 (B)=AW82V,SX-ID
 (C)=

(D)=
 (E)=
 (F)=

No.	Lev.	Parts No.	Description	Q'ty						I	R
				(A)	(B)	(C)	(D)	(E)	(F)		
1	1	1E8559-92230	WASHER,PLAIN 6X16X1	8	8						
2	1	1E8559-92370	SPRING	2	2						
3	1	1E8559-92410	RETAINER,BOOT	2	2						
4	1	1E6B30-92420	SHUTTER	2	2						
5	1	1E6B30-92440	BOOT, 236	2	2						
6	1	1E8559-92450	GUIDE,SHUTTER	2	2						
7	1	1E8559-92760	PLATE,BOOT A	4	4						
8	1	22137-060000	WASHER, 6	4	4						
9	1	22217-060000	WASHER, SPRING 6	4	4						
10	1	22857-600160	SCREW, 6X16	8	8						
11	1	26367-060002	NUT, M6	8	8						
12	1	26717-060002	NUT, M6	4	4						

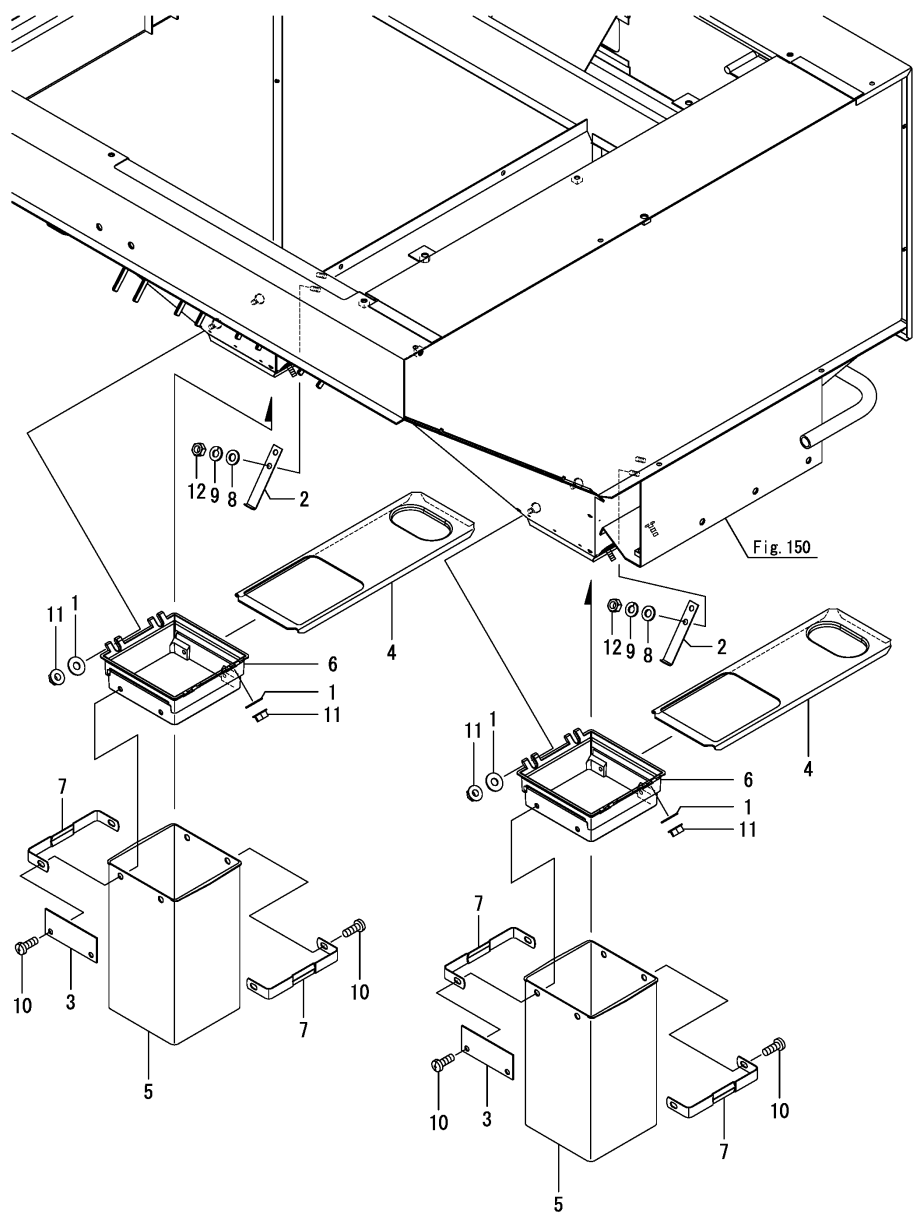
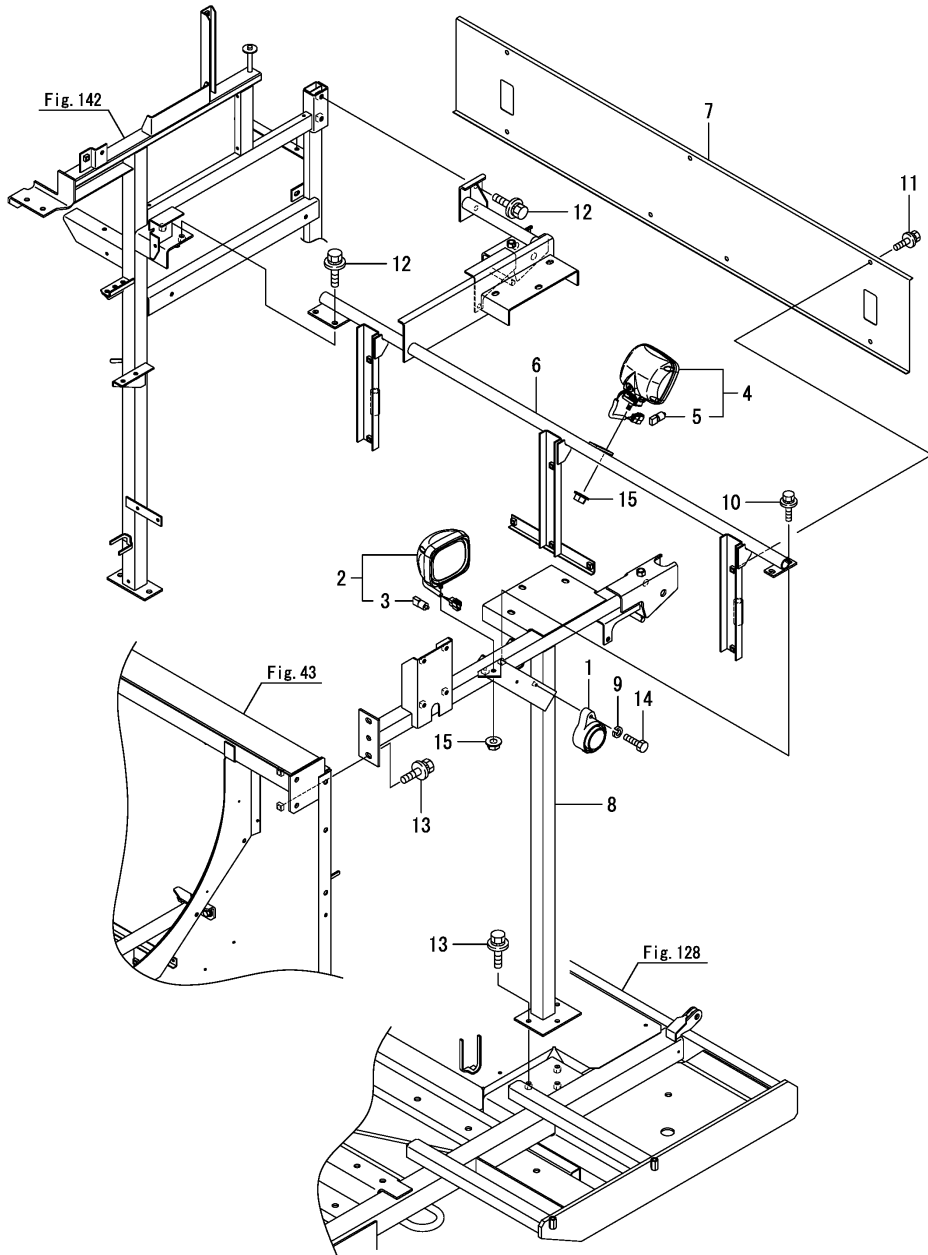


Fig.152. TOP SACKER MOUNT

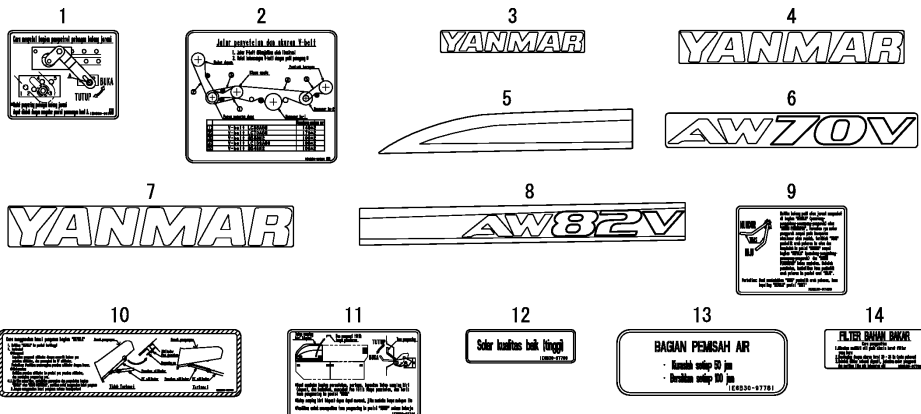


(A)=AW70V,SX-ID
 (B)=AW82V,SX-ID
 (C)=

(D)=
 (E)=
 (F)=

No.	Lev.	Parts No.	Description	Q'ty						I	R
				(A)	(B)	(C)	(D)	(E)	(F)		
1	1	1E8923-81300	BUZZER, BACK	1	1						
2	1	1E6C40-81500	LAMP ASSY, WORK 35W	1	1						
3	2	1E6C40-81510	BULB,35W	1	1						
4	1	1E6C40-81500	LAMP ASSY, WORK 35W	1	1						
5	2	1E6C40-81510	BULB,35W	1	1						
6	1	1E6B35-92051	BASE,SACKER BRACKET	1	1						
7	1	1E6B35-92420	COVER,PADDY CAT UP	1	1						
8	1	1E6B35-92504	FRAME,SACKER	1	1						
9	1	22217-050000	WASHER, SPRING 5	1	1						
10	1	26014-080202	BOLT, M8X 20		2	2					
11	1	26014-080202	BOLT, M8X 20		3	3					
12	1	26014-100252	BOLT, M10X 25		4	4					
13	1	26014-100252	BOLT, M10X 25		5	5					
14	1	26117-050252	BOLT M 5X 25 PLATED		1	1					
15	1	26367-080002	NUT, M8		2	2					

Fig.153. LABEL(1)



(A)=AW70V,SX-ID
(B)=AW82V,SX-ID
(C)=

(D)=
(E)=
(F)=

No.	Lev.	Parts No.	Description	Q'ty						I	R
				(A)	(B)	(C)	(D)	(E)	(F)		
1	1	1E6C80-96160	LABEL, CHAFF AD. ID	1	1						
2	1	1E6C80-96260	LABEL, BELT SETTING	1	1						
3	1	1E6C43-97010	MARK, YANMAR RED 400	1	1						
4	1	1E6C43-97020	MARK, YANMAR RED 630	1	1						
5	1	1E6C43-97030	LABEL, STRIPE L		1						
6	1	1E6C48-97060	MARK, AW70V	1							
7	1	1E6C43-97090	MARK, YANMAR RED 800	1	1						
8	1	1E6C48-97120	LABEL, STRIPE AW82V		1						
9	1	1E6B30-97480	LABEL, REVERSAL ID	1	1						
10	1	1E6B30-97710	LABEL, REAP. LOCK ID	1	1						
11	1	1E6B30-97741	LABEL, SIDE OPEN ID	1	1						
12	1	1E6B30-97760	LABEL, FUEL OIL ID	1	1						
13	1	1E6B30-97781	LABEL, SEPARATOR ID	1	1						
14	1	1E6B30-97790	LABEL, FILTER FO ID	1	1						

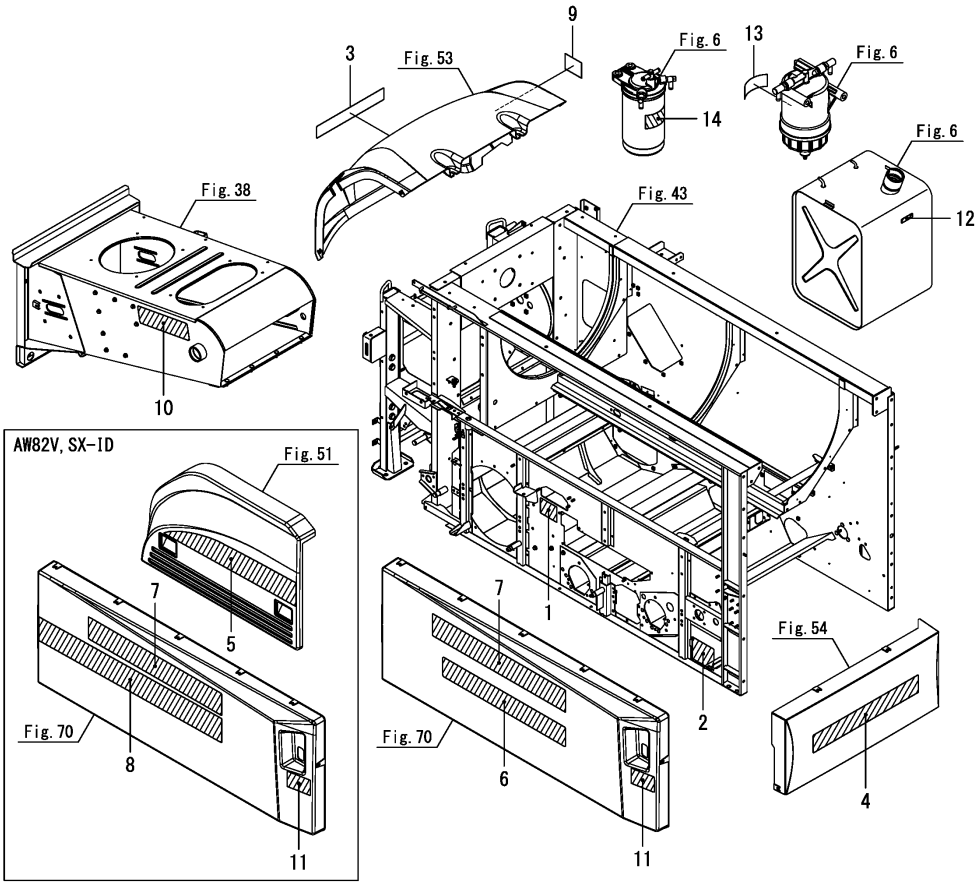
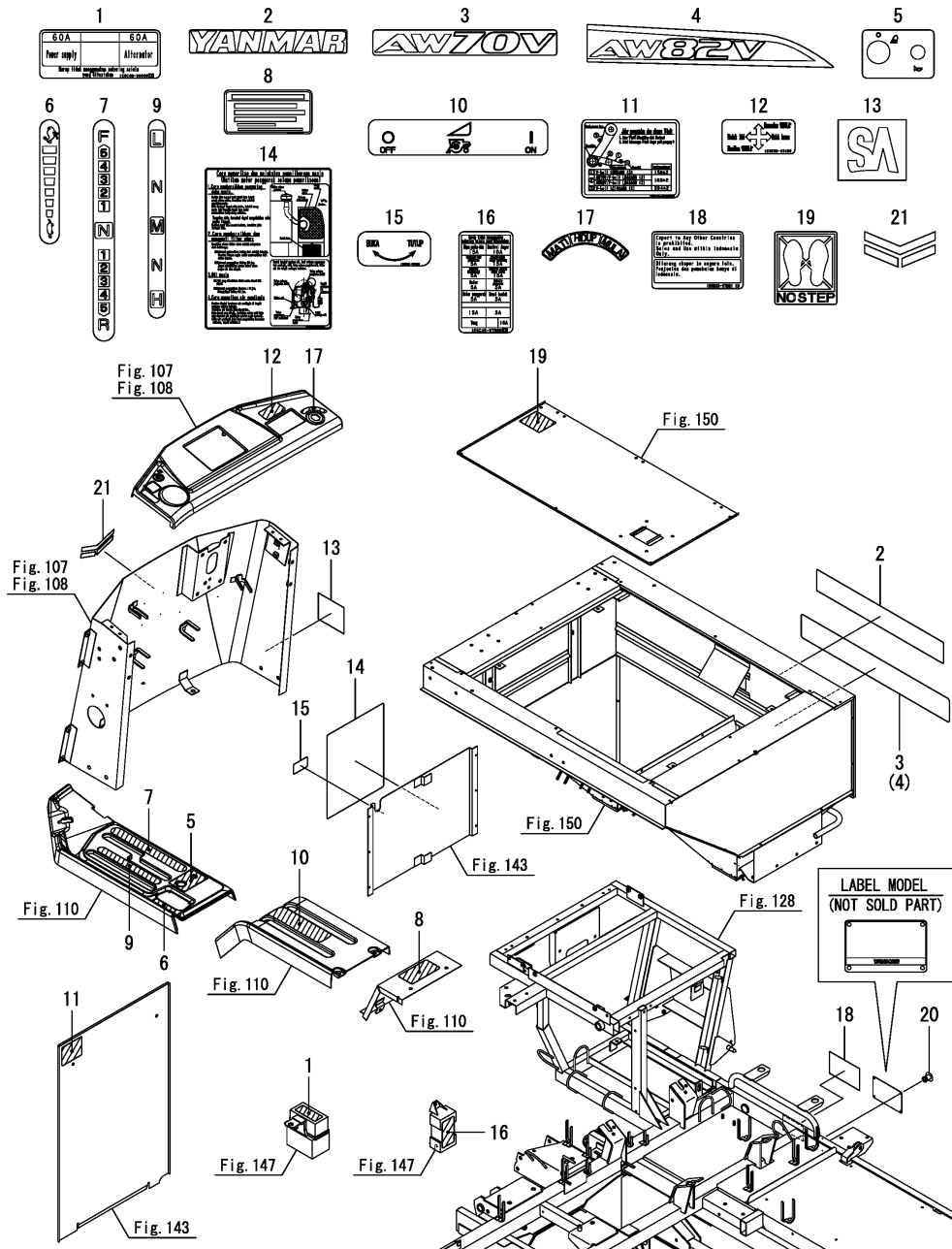


Fig.154. LABEL(2)

(A)=AW70V,SX-ID
(B)=AW82V,SX-ID
(C)=

(D)=
(E)=
(F)=



No.	Lev.	Parts No.	Description	Q'ty						I	R
				(A)	(B)	(C)	(D)	(E)	(F)		
1	1	1E6C48-96060	LABEL, BLOW FUSE ID	1	1						
2	1	1E6C43-97020	MARK, YANMAR RED 630	1	1						
3	1	1E6C48-97060	MARK, AW70V	1							
4	1	1E6C48-97130	LABEL, STRIPE AW82V		1						
5	1	1E6C45-97140	LABEL, WORK LAMP	1	1						
6	1	1E6B30-97151	LABEL, ACCELERATOR	1	1						
7	1	1E6B30-97201	LABEL, CHANGE MAIN	1	1						
8	1	1E6C45-97220	LABEL, CLUTCH OPERAT	1	1						
9	1	1E6B30-97281	LABEL, SUB-CHANGE	1	1						
10	1	1E6B30-97291	LABEL, TH.RE. CLUTCH	1	1						
11	1	1E6C43-97360	LABEL, BELT SET. R ID	1	1						
12	1	1E6B30-97490	LABEL, STEERING ID	1	1						
13	1	1E6C80-97600	LABEL, SA	1	1						
14	1	1E6B30-97810	LABEL, CHECK ID	1	1						
15	1	1E6B30-97830	LABEL, E.ROOM ID	1	1						
16	1	1E6C49-97850	LABEL, FUSE ID	1	1						
17	1	1E6B30-97860	LABEL, KEY SWITCH ID	1	1						
18	1	1E6B30-97881	LABEL, PROHIBIT EX.	1	1						
19	1	1E6C80-97890	MARK, NO STEP	1	1						
20	1	22695-320321	RIVET, 3.2X 3.2	4	4						
21	1	41802-310040	EMBLEM, FY SOFT L04	1	1						

Fig.155. LABEL(SAFETY)(1)

(A)=AW70V,SX-ID
(B)=AW82V,SX-ID
(C)=

(D)=
(E)=
(F)=

No.	Lev.	Parts No.	Description	Q'ty						I	R
				(A)	(B)	(C)	(D)	(E)	(F)		
1	1	1E6B30-97510	LABEL, WARN.REAP. ID	1	1						
2	1	1E6B30-97520	LABEL, WARN. REEL ID	1	1						
3	1	1E6B30-97520	LABEL, WARN. REEL ID	1	1						
4	1	1E6B30-97530	LABEL, WARNING PF ID	1	1						
5	1	1E6B30-97530	LABEL, WARNING PF ID	1	1						
6	1	1E6B30-97541	LABEL, CAUT. STOP ID	1	1						
7	1	1E6B30-97541	LABEL, CAUT. STOP ID	1	1						
8	1	1E6B30-97541	LABEL, CAUT. STOP ID	1	1						
9	1	1E6B30-97541	LABEL, CAUT. STOP ID	1	1						
10	1	1E6B30-97550	LABEL, CAUT.CLEAN ID	1	1						
11	1	1E6B30-97550	LABEL, CAUT.CLEAN ID	1	1						
12	1	1E6B30-97550	LABEL, CAUT.CLEAN ID	1	1						
13	1	1E6B30-97550	LABEL, CAUT.CLEAN ID	1	1						
14	1	1E6B30-97560	LABEL,CAUTION COV.ID	1	1						
15	1	1E6B30-97560	LABEL,CAUTION COV.ID	1	1						
16	1	1E6B30-97560	LABEL,CAUTION COV.ID	1	1						
17	1	1E6B30-97560	LABEL,CAUTION COV.ID	1	1						
18	1	1E6B30-97560	LABEL,CAUTION COV.ID	1	1						
19	1	1E6B30-97651	LABEL, WARN.CONVEY.	1	1						
20	1	1E6B30-97651	LABEL, WARN.CONVEY.	1	1						

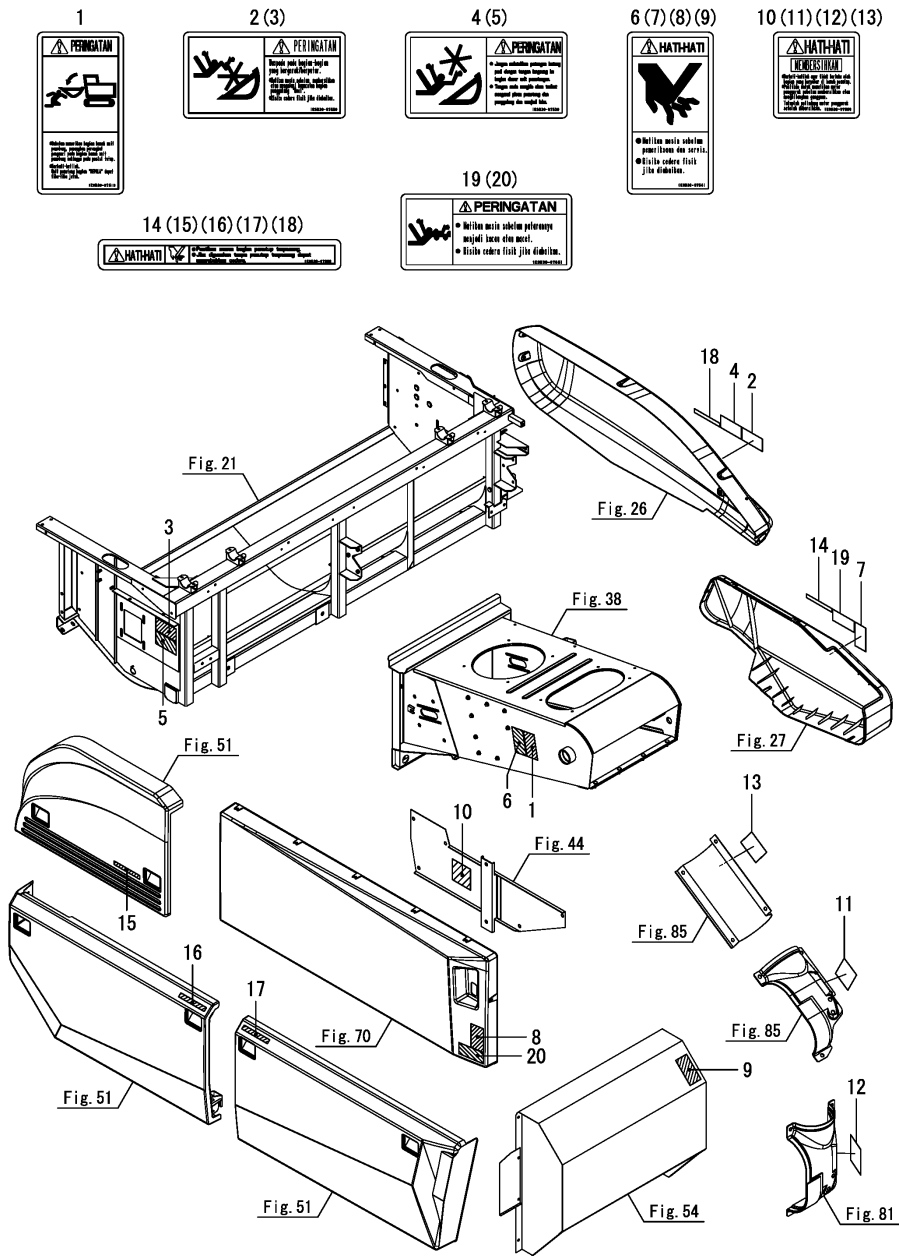
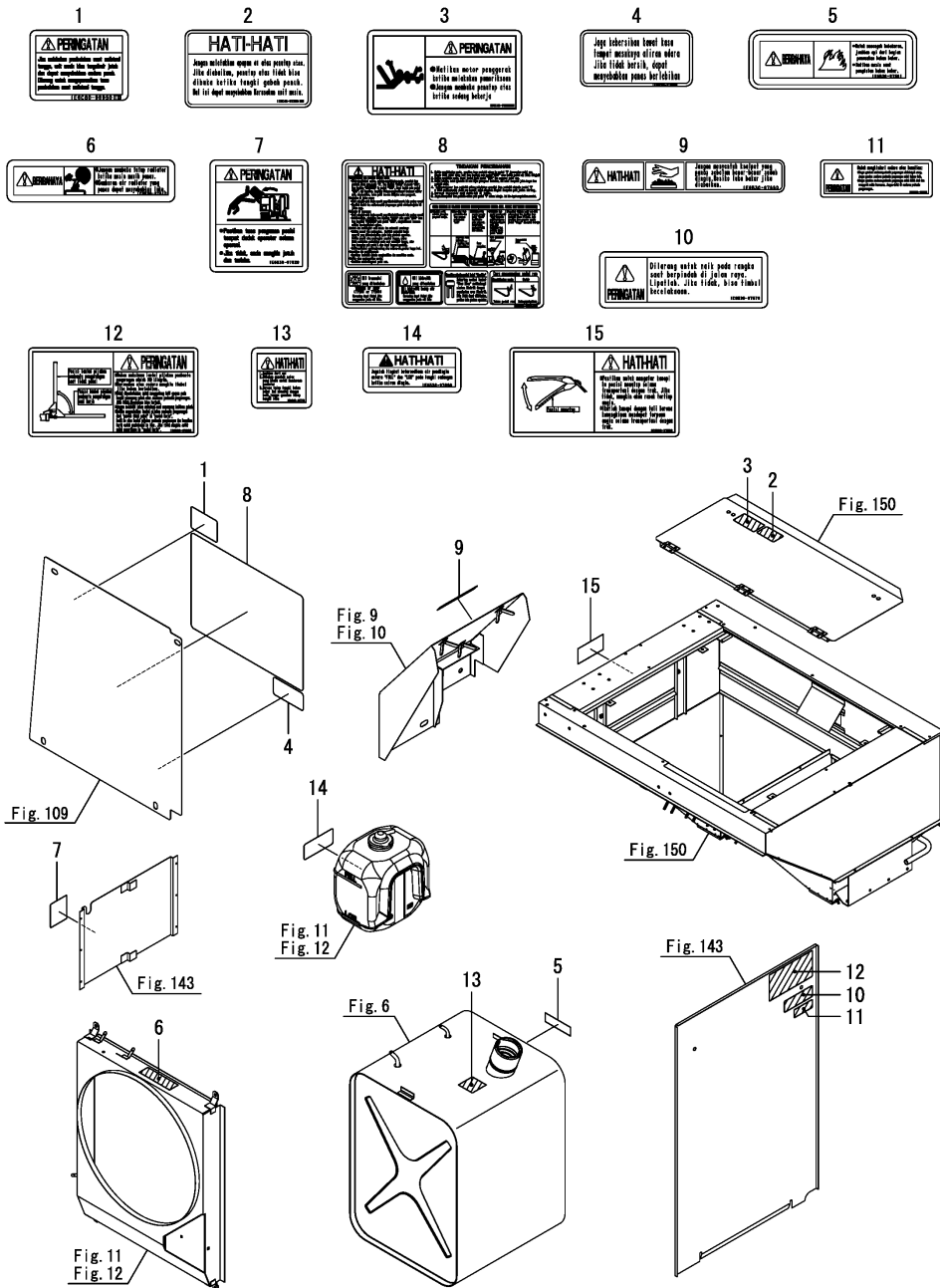


Fig.156. LABEL(SAFETY)(2)

(A)=AW70V,SX-ID
 (B)=AW82V,SX-ID
 (C)=

(D)=
 (E)=
 (F)=

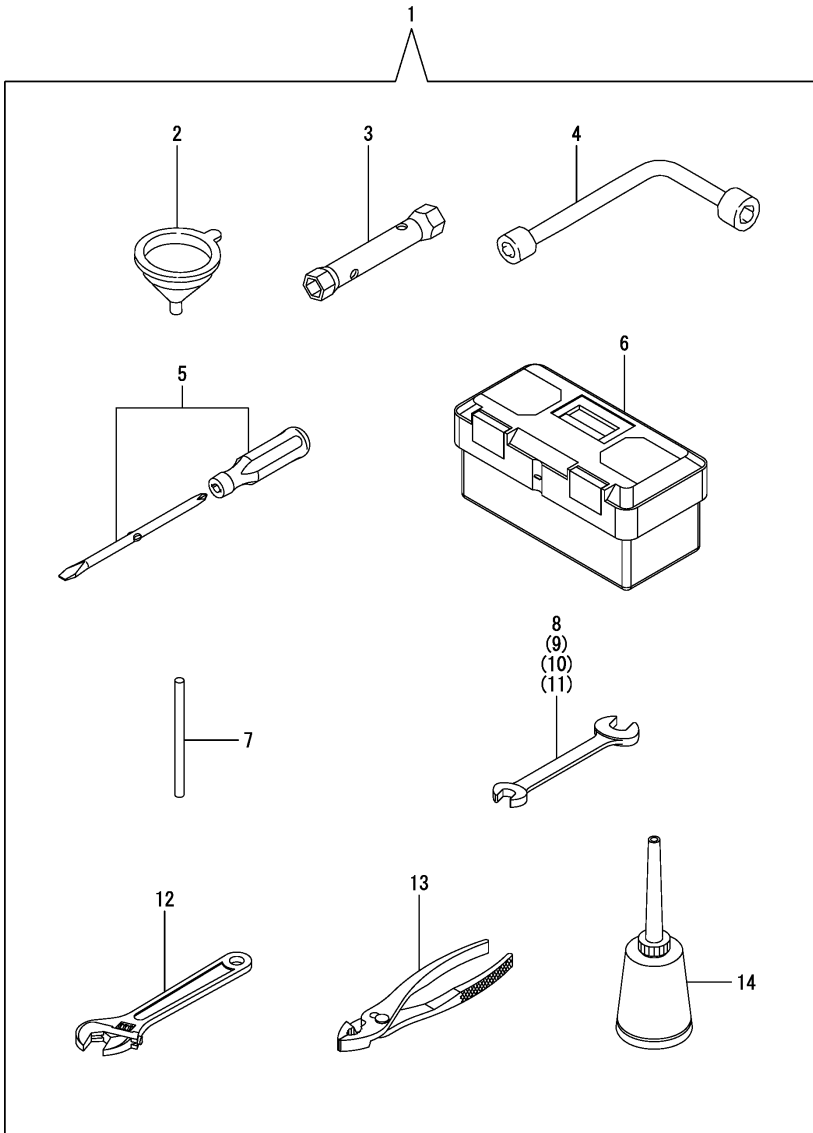


No.	Lev.	Parts No.	Description	Q'ty						I	R
				(A)	(B)	(C)	(D)	(E)	(F)		
1	1	1E6C80-96950	LABEL,WARN. LOAD ID	1	1						
2	1	1E6C45-97260	LABEL, CAUTION TANK	1	1						
3	1	1E6C45-97290	LABEL, WARNING CHECK	1	1						
4	1	1E6B30-97580	LABEL, CAUT. ROOM ID	1	1						
5	1	1E6B30-97591	LABEL, DANG. FIRE ID	1	1						
6	1	1E6B30-97610	LABEL, DANGER RAD ID	1	1						
7	1	1E6B30-97620	LABEL, WARN. OPEN ID	1	1						
8	1	1E6B30-97634	LABEL, OPE. CHECK ID	1	1						
9	1	1E6B30-97660	LABEL, CAUTION MUFF.	1	1						
10	1	1E6B30-97670	LABEL, WARN. OPEN ID	1	1						
11	1	1E6B30-97680	LABEL, WARN.GUARD ID	1	1						
12	1	1E6B30-97690	LABEL, WARN. PAD. ID	1	1						
13	1	1E6B30-97771	LABEL, CAUTION FO ID	1	1						
14	1	1E6B30-97800	LABEL, SUB TANK ID	1	1						
15	1	1E6B30-97870	LABEL, CAUT.VISOR ID	1	1						

Fig.157. TOOL

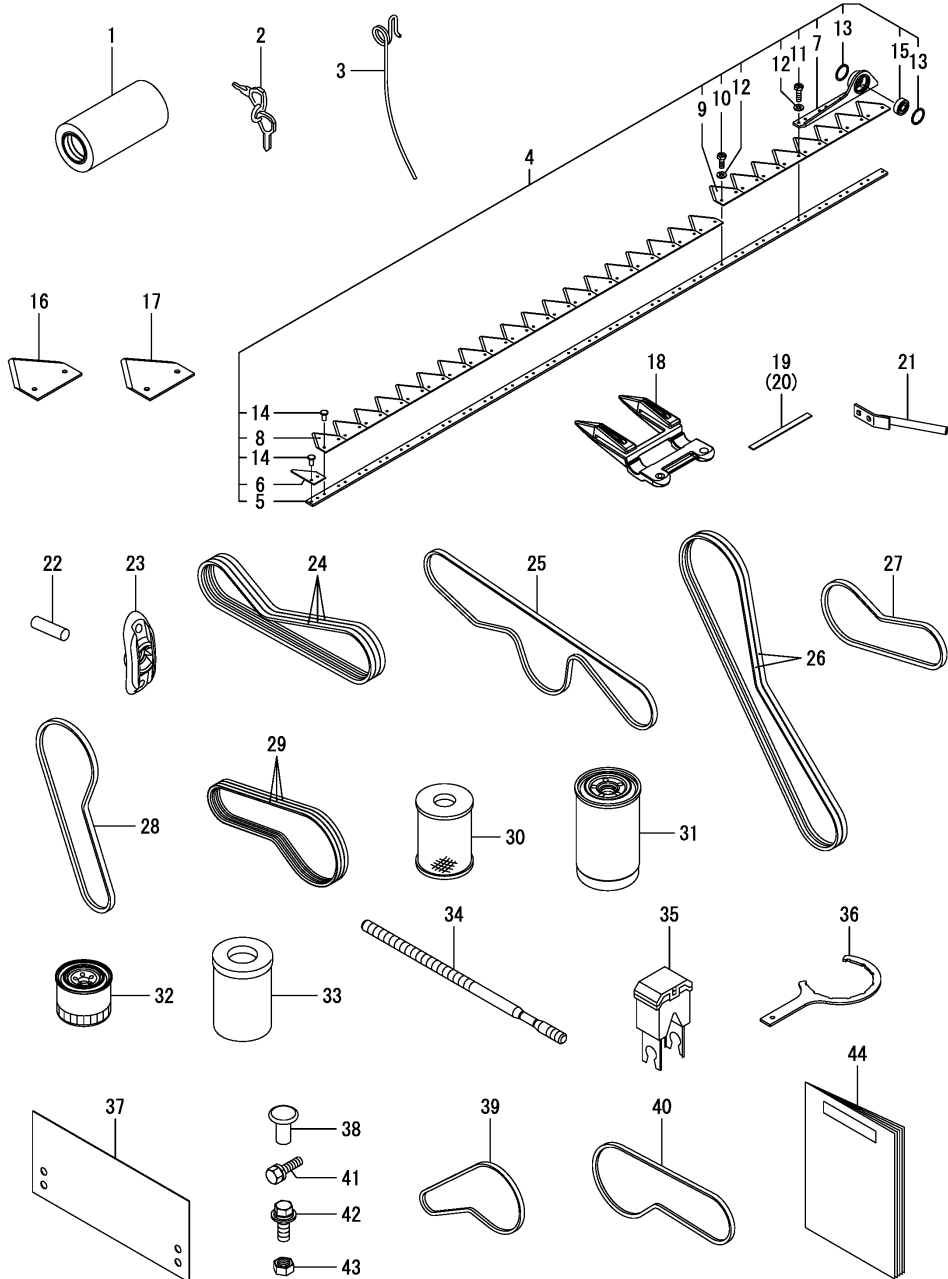
(A)=AW70V,SX-ID
 (B)=AW82V,SX-ID
 (C)=

(D)=
 (E)=
 (F)=



No.	Lev.	Parts No.	Description	Q'ty						I	R
				(A)	(B)	(C)	(D)	(E)	(F)		
1	1	7E6B30-98100	TOOL, ASSEMBLY	1	1						
2	2	192010-09050	FUNNEL	1	1						
3	2	1E8559-98020	WRENCH, SOCKET 17X19	1	1						
4	2	1E8559-98050	WRENCH, SOCKET 12X12	1	1						
5	2	1E8559-98060	DRIVER, SCREW	1	1						
6	2	1E6B30-98100	BOX, TOOL	1	1						
7	2	23061-120300	PIPE, 12X 300	1	1						
8	2	28110-100120	SPANNER, 10X12	1	1						
9	2	28110-120140	SPANNER, 12X14	1	1						
10	2	28110-170190	SPANNER, 17X19	1	1						
11	2	28110-220240	SPANNER, 22X24	1	1						
12	2	28120-002000	WRENCH, 200	1	1						
13	2	28170-001500	PLIER	1	1						
14	2	28210-000140	OILER	1	1						

Fig.158. ACCESSORY

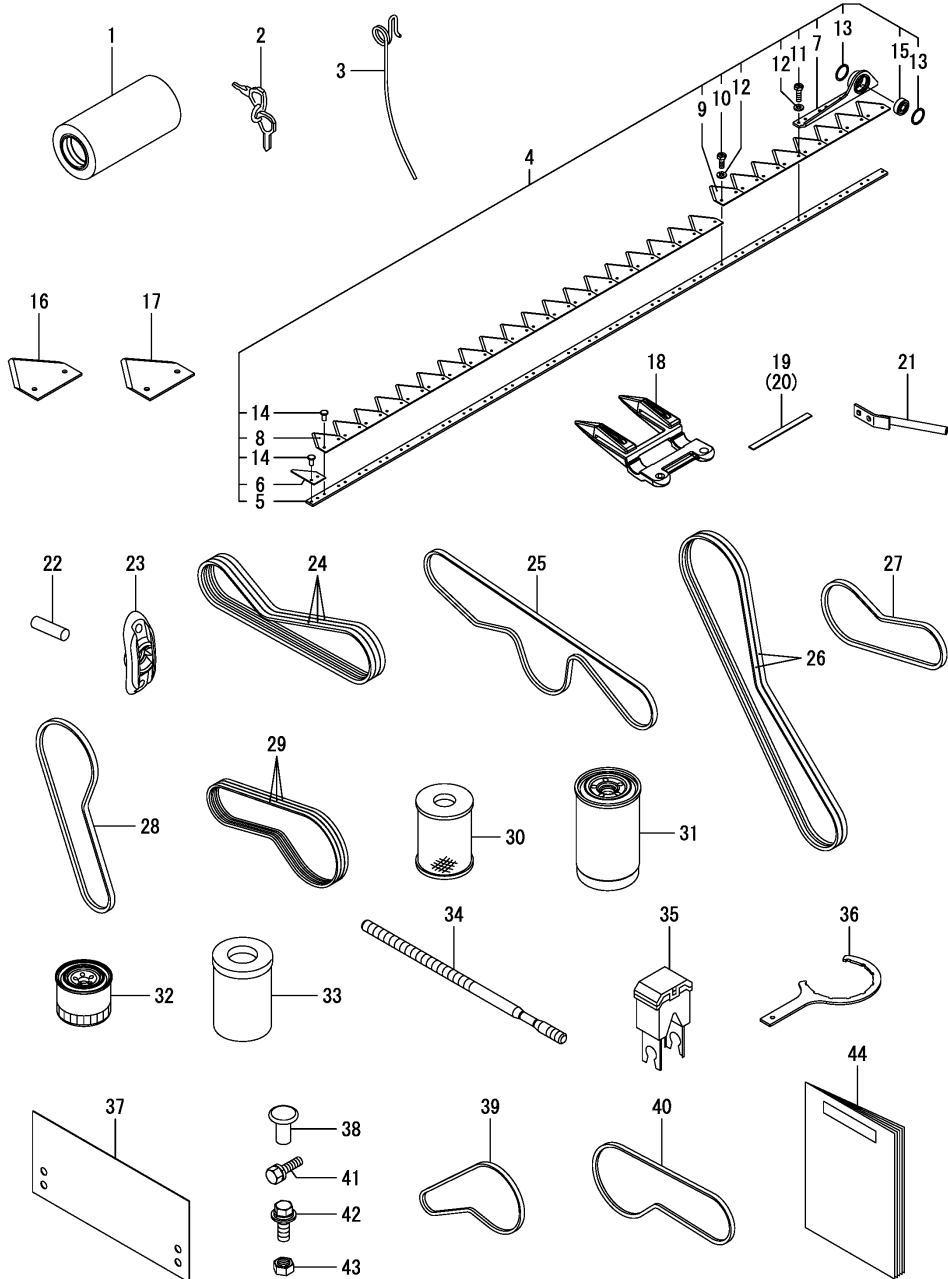


(A)=AW70V,SX-ID
(B)=AW82V,SX-ID
(C)=

(D)=
(E)=
(F)=

No.	Lev.	Parts No.	Description	Q'ty						I	R
				(A)	(B)	(C)	(D)	(E)	(F)		
1	1	1E6B30-04020	ELEMENT, AIRCLE, 7.5	1							
2	1	1C7020-06440	KEY ASSY, REVERSE	1							
3	1	1E6B30-13060	TINE	5							
4	1	1E6C40-17013	REAPING EDGE ASSY,S	1							
5	2	1E6B30-17021	BAR, KNIFE S	1							
6	2	1E6B30-17030	GUIDE, L	1							
7	2	1E6C40-17040	HEAD, KNIFE	1							
8	2	1E6B30-17070	REAPING EDGE	19							
9	2	1S7596-17071	REAPING EDGE, N	8							
10	2	1S7596-17080	BOLT, M6X16 11T	8							
11	2	1E6B30-17290	BOLT, M6X20 11T	8							
12	2	22217-060000	WASHER, SPRING 6	16							
13	2	22252-000421	CIRCLIP 42	2							
14	2	22641-500160	RIVET, 5.0X16	40							
15	2	24104-063024	BEARING, BALL 6302UU	1							
16	1	1E6B30-17070	REAPING EDGE	4							
17	1	1S7596-17071	REAPING EDGE, N	2							
18	1	1E6B30-17101	BACKING EDGE,A	6							
19	1	1E6B30-17920	SHIM,0.4	3							
20	1	1E6B30-17930	SHIM,0.8	3							
21	1	1E6B30-18100	DIVIDER,INNER	1							
22	1	1E6B30-21370	PIN,6X21 TL	9							
23	1	1E6B30-22400	GUIDE, FINGER	10							
24	1	1E8300-35050	V-BELT, LB58-AG8	3							
25	1	1E6B30-35290	V-BELT, LC109-AG6	1							
26	1	1E6C80-35510	V-BELT, LC109-AG8	2							
27	1	1E6C80-36180	V-BELT, LC58-AG8	1							
28	1	1E6C80-36370	V-BELT, LC70-AG8	2							
29	1	1E6C80-51340	V-BELT, LB62 AG8	3							
30	1	129A00-55730	ELEMENT	1							
31	1	129907-55801	FILTER, FUEL	2							
32	1	1E6B00-66050	FILTER, 80X80L	1							
33	1	1E8560-66370	ELEMENT ASSY	1							
34	1	1E9060-73031	BOLT, TENSION 350	2							
35	1	1E8540-83220	FUSE, SLOW BLOW 60A	2							
36	1	1E6C40-92750	WRENCH, PRE FILTER	1							
37	1	1E6B30-98140-1	SHUTTER, WINNOWER B	2							
38	1	22641-500160	RIVET, 5.0X16	8							
39	1	25123-004602	V-BELT, B46H	1							
40	1	25123-005802	V BELT, SB 58 H2	1							
41	1	26013-080162	BOLT, M8X 16	4							
42	1	26014-080202	BOLT, M8X 20	2							
43	1	26717-080002	NUT, M8	2							
44	1	0A341-ID0019	OPERATION MANUAL	1							

Fig.159. ACCESSORY



(A)=AW70V,SX-ID
 (B)=AW82V,SX-ID
 (C)=

(D)=
 (E)=
 (F)=

No.	Lev.	Parts No.	Description	Q'ty						I	R
				(A)	(B)	(C)	(D)	(E)	(F)		
1	1	1E6C40-04021	ELEMENT, AIRCLE. 8.5	1							
2	1	1C7020-06440	KEY ASSY, REVERSE	1							
3	1	1E6B30-13060	TINE	5							
4	1	1E6C40-17013	REAPING EDGE ASSY,S	1							
5	2	1E6B30-17021	BAR, KNIFE S	1							
6	2	1E6B30-17030	GUIDE, L	1							
7	2	1E6C40-17040	HEAD, KNIFE	1							
8	2	1E6B30-17070	REAPING EDGE	19							
9	2	1S7596-17071	REAPING EDGE, N	8							
10	2	1S7596-17080	BOLT, M6X16 11T	8							
11	2	1E6B30-17290	BOLT, M6X20 11T	8							
12	2	22217-060000	WASHER, SPRING 6	16							
13	2	22252-000421	CIRCLIP 42	2							
14	2	22641-500160	RIVET, 5.0X16	40							
15	2	24104-063024	BEARING, BALL 6302UU	1							
16	1	1E6B30-17070	REAPING EDGE	4							
17	1	1S7596-17071	REAPING EDGE, N	2							
18	1	1E6B30-17101	BACKING EDGE,A	6							
19	1	1E6B30-17920	SHIM,0.4	3							
20	1	1E6B30-17930	SHIM,0.8	3							
21	1	1E6B30-18100	DIVIDER,INNER	1							
22	1	1E6B30-21370	PIN,6X21 TL	9							
23	1	1E6B30-22400	GUIDE, FINGER	10							
24	1	1E8300-35050	V-BELT, LB58-AG8	3							
25	1	1E6B30-35290	V-BELT, LC109-AG6	1							
26	1	1E6C80-35510	V-BELT, LC109-AG8	2							
27	1	1E6C80-36180	V-BELT, LC58-AG8	1							
28	1	1E6C80-36370	V-BELT, LC70-AG8	2							
29	1	1E6C80-51350	V-BELT, LB63 AG8	3							
30	1	129A00-55730	ELEMENT	1							
31	1	129907-55801	FILTER, FUEL	2							
32	1	1E6B00-66050	FILTER, 80X80L	1							
33	1	1E8560-66370	ELEMENT ASSY	1							
34	1	1E9060-73031	BOLT, TENSION 350	2							
35	1	1E8540-83220	FUSE, SLOW BLOW 60A	2							
36	1	1E6C40-92750	WRENCH, PRE FILTER	1							
37	1	1E6B30-98140-1	SHUTTER, WINNOWER B	2							
38	1	22641-500160	RIVET, 5.0X16	8							
39	1	25123-004602	V-BELT, B46H	1							
40	1	25123-005802	V BELT, SB 58 H2	1							
41	1	26013-080162	BOLT, M8X 16	4							
42	1	26014-080202	BOLT, M8X 20	2							
43	1	26717-080002	NUT, M8	2							
44	1	0A341-ID0019	OPERATION MANUAL	1							

Parts No. Index

Parts No.	Fig. No.	Ref. No.
0A341-ID0019	158	44
	159	44
101504-55101	6	19
106990-44660	6	15
		16
		17
	11	16
	12	18
119225-52102	6	18
119934-55611	6	20
129211-77920	142	7
129242-55740	6	28
129907-55801	6	31
	158	31
	159	31
129A00-55720	6	26
129A00-55730	6	27
	158	30
	159	30
129A00-55740	6	29
129A00-55751	6	23
129A00-55760	6	24
129A00-55770	6	30
129E00-55710	6	22
129E22-55700	6	21
158557-61720	86	7
158805-85420	101	10
	102	10
158810-85503	102	16
158810-85703	102	19
158830-85070	101	2
	102	2
158856-85502	101	16
158856-85580	101	18
	102	18
158856-85702	101	19
1683J3-02200	122	6
168HM7-29020	101	1
168HM7-29180	101	9
	102	9
168HM7-29910	101	8
	102	8
168HN5-29210	101	4
	102	4
168HN6-29020	102	1
168HP1-85570	101	17
	102	17
168HQ0-85710	101	3
	102	3
172141-76900	119	25

Parts No.	Fig. No.	Ref. No.
172141-76900	120	17
172510-74410	122	7
172645-76570	120	15
192010-09050	157	2
195295-13210	24	1
1A1120-28170	24	16
1A6260-25150	105	1
1A6750-29850	101	7
	102	7
1B1604-14840	98	1
1C6141-43971	5	6
1C7020-06400	107	1
	108	1
1C7020-06440	158	2
	159	2
1C726C-35910	5	5
1C726C-47910	115	2
1C727C-26480	117	1
1C728C-54470	94	7
1C730C-36280	81	2
	85	2
1C730C-63240	113	2
1C731C-47130	115	1
1E4110-24010	24	15
1E4760-43090	113	1
1E6140-51170	24	17
1E6192-53660	92	9
1E6470-29630	41	9
1E6470-29640	41	10
1E6480-52141	92	5
1E6650-54850	92	10
1E6680-13890	24	2
1E6680-17100	24	6
1E6680-17110	24	7
1E6680-17130	24	8
1E6680-17150	24	10
1E6680-35021	105	2
1E6680-73031	131	4
		19
1E6680-73040	131	5
		20
1E6681-51082-1	59	13
1E6681-83430	146	7
1E6682-17053	24	3
1E6682-17070	24	4
1E6682-17080	24	5
1E6682-17140	24	9
1E6B00-03280	43	1
1E6B00-52460	93	4
1E6B00-52480	93	5

Parts No.	Fig. No.	Ref. No.
1E6B00-52800	103	2
1E6B00-52840	103	3
1E6B00-53050	91	3
1E6B00-53060	91	4
1E6B00-53090	91	6
1E6B00-53180	104	1
1E6B00-53350	91	7
1E6B00-53361	91	8
1E6B00-54420	94	2
1E6B00-54440	94	4
1E6B00-54560	94	10
1E6B00-55090	96	4
1E6B00-55110	96	1
1E6B00-55140	96	8
1E6B00-55380	97	6
	98	2
1E6B00-55450	98	6
1E6B00-55470	98	7
1E6B00-56110	99	2
1E6B00-56120	99	3
1E6B00-56130	99	4
1E6B00-56200	99	5
1E6B00-56300	100	1
1E6B00-56310	100	2
1E6B00-56400	100	4
1E6B00-62350	39	17
	99	6
1E6B00-63070	87	10
	88	10
1E6B00-66050	158	32
	159	32
1E6B00-68100	125	1
1E6B00-68500	126	2
1E6B00-83200	146	4
1E6B30-00150	1	1
1E6B30-01200	4	4
1E6B30-02050	5	2
1E6B30-03060	6	1
1E6B30-03080	6	2
1E6B30-03131	6	5
1E6B30-03180	6	4
1E6B30-03340	6	6
1E6B30-03500	11	1
	12	1
1E6B30-03531	6	9
1E6B30-03560	6	10
1E6B30-04010	7	2
1E6B30-04020	7	4
	158	1
1E6B30-04030	7	5

Parts No.	Fig. No.	Ref. No.
1E6B30-04120	11	5
	12	5
1E6B30-04132	11	6
	12	6
1E6B30-04260	7	8
	8	10
1E6B30-04360	7	11
	8	12
1E6B30-04381	7	12
	8	13
1E6B30-04430	11	10
	12	12
1E6B30-04450	11	11
	12	13
1E6B30-04480	11	12
	12	14
1E6B30-04530	10	2
1E6B30-04701	10	4
1E6B30-04730-1	7	14
	8	15
1E6B30-04751-1	10	5
1E6B30-04930	11	14
	12	16
1E6B30-04960	7	16
	8	16
1E6B30-13060	16	3
		8
	158	3
	159	3
1E6B30-13300	14	4
	15	4
1E6B30-13350	14	5
	15	5
1E6B30-13480	16	5
1E6B30-13540	16	10
1E6B30-13550	17	1
1E6B30-13600	17	2
1E6B30-13611	17	3
1E6B30-13621	17	4
1E6B30-13631	17	5
1E6B30-13680	17	7
1E6B30-13701	17	8
1E6B30-13711	17	9
1E6B30-13951	18	2
1E6B30-14050	19	2
	20	1
1E6B30-14061-1	19	3
1E6B30-14070	19	4
1E6B30-14280	20	6
1E6B30-15041	21	2

Parts No. Index

Parts No.	Fig. No.	Ref. No.
1E6B30-16801	21	3
1E6B30-17021	22	4
	158	5
	159	5
1E6B30-17030	22	5
	158	6
	159	6
1E6B30-17070	22	7
	158	8
		16
	159	8
		16
1E6B30-17101	22	15
	158	18
	159	18
1E6B30-17120	22	16
1E6B30-17130	22	17
1E6B30-17140	22	18
1E6B30-17151	22	19
1E6B30-17170	22	20
1E6B30-17200	22	21
1E6B30-17290	22	10
	158	11
	159	11
1E6B30-17870	22	29
	23	11
1E6B30-17890	22	30
	23	12
1E6B30-17920	158	19
	159	19
1E6B30-17930	158	20
	159	20
1E6B30-18004	25	1
1E6B30-18100	158	21
	159	21
1E6B30-18203	25	2
1E6B30-21350	28	3
1E6B30-21360	28	4
1E6B30-21370	28	5
	158	22
	159	22
1E6B30-22230	29	4
1E6B30-22280	29	5
1E6B30-22400	29	7
	158	23
	159	23
1E6B30-22410	29	8
1E6B30-22421	29	9
1E6B30-22530	29	11
1E6B30-22600	29	16

Parts No.	Fig. No.	Ref. No.
1E6B30-22612	29	17
1E6B30-22621	29	18
1E6B30-22850	30	6
1E6B30-22900	31	1
1E6B30-26040-1	32	1
1E6B30-26102	32	2
1E6B30-26160	32	4
1E6B30-26170	32	5
1E6B30-26180	32	6
1E6B30-26230	33	2
1E6B30-26240	33	3
1E6B30-26280	33	5
1E6B30-26600	43	2
1E6B30-26610	40	1
1E6B30-26652	39	1
1E6B30-26680	39	2
1E6B30-26690	39	3
1E6B30-26703	40	2
1E6B30-26821	40	4
1E6B30-26841	39	4
1E6B30-26902	39	5
1E6B30-26912	39	6
1E6B30-26924	39	7
1E6B30-26951	39	8
1E6B30-26960	39	9
1E6B30-27020	32	8
1E6B30-27610	36	2
1E6B30-27620	36	3
1E6B30-27630	36	4
1E6B30-27640	36	5
1E6B30-27712	37	2
1E6B30-28570-2	38	2
1E6B30-28690	38	3
1E6B30-28901	39	10
1E6B30-28911	39	11
1E6B30-28960	39	12
1E6B30-28970	39	13
1E6B30-29280	41	7
1E6B30-29310	41	8
		16
1E6B30-29430	41	18
1E6B30-31360	42	1
1E6B30-32103	46	1
1E6B30-32153	46	2
1E6B30-32250	46	3
1E6B30-32261	45	6
1E6B30-32270	45	7
1E6B30-32640	43	7
1E6B30-33511	43	8
1E6B30-33521	43	9

Parts No.	Fig. No.	Ref. No.
1E6B30-34142-1	51	1
1E6B30-34170	70	1
1E6B30-34470	145	1
1E6B30-34490	51	5
1E6B30-34700	50	1
1E6B30-34731	50	2
1E6B30-34903-1	51	7
1E6B30-35100	56	1
	59	1
	60	1
1E6B30-35120	55	10
	105	3
1E6B30-35130	55	12
	105	4
1E6B30-35230	57	4
1E6B30-35290	57	5
	158	25
	159	25
1E6B30-35350	57	10
1E6B30-35411	58	2
1E6B30-35451	58	3
1E6B30-35580	59	9
	60	10
1E6B30-35600	59	10
	60	11
1E6B30-35620	57	12
	59	11
	60	12
	61	3
1E6B30-35640	59	12
	60	13
1E6B30-35720	58	4
1E6B30-35760	58	6
	78	3
1E6B30-35780	58	7
	78	4
1E6B30-35800	58	8
1E6B30-36041	63	3
1E6B30-36400	39	14
1E6B30-36501	65	3
1E6B30-36530	28	9
	33	6
1E6B30-36560	13	5
	23	14
	28	10
	33	7
1E6B30-36590	65	4
1E6B30-36610	65	5
1E6B30-36630	39	16
1E6B30-38220	66	5

Parts No.	Fig. No.	Ref. No.
1E6B30-38230	66	6
1E6B30-38260	66	17
1E6B30-38270	66	7
1E6B30-38650	67	3
1E6B30-38700-1	67	7
1E6B30-38790	67	9
1E6B30-38830	67	10
1E6B30-39001	68	1
1E6B30-39250-1	69	1
1E6B30-39260-1	69	2
1E6B30-39351-1	70	5
1E6B30-39430	70	6
1E6B30-39480	70	7
1E6B30-39980	70	12
1E6B30-39990	70	13
1E6B30-42011	71	1
1E6B30-42030	71	3
1E6B30-42051	72	1
1E6B30-42101	72	2
1E6B30-42190	75	2
1E6B30-42200	75	3
1E6B30-42240	71	6
1E6B30-42250	71	7
1E6B30-42470	76	2
1E6B30-42730	74	3
1E6B30-42740	74	4
1E6B30-42750	76	3
1E6B30-42761	74	5
1E6B30-42771	74	6
1E6B30-42780	74	7
1E6B30-42790	76	4
1E6B30-42830	74	9
1E6B30-42911	74	13
1E6B30-42920	74	14
1E6B30-42930	74	16
1E6B30-42940	74	18
1E6B30-42951	74	19
1E6B30-42961	74	21
1E6B30-43712	77	1
1E6B30-45104-1	81	3
	85	3
1E6B30-45110	81	4
	85	4
1E6B30-45130	81	5
	85	5
1E6B30-45191-1	81	9
	85	9
1E6B30-45201	81	10
	85	10
1E6B30-45302	81	11

Parts No. Index

Parts No.	Fig. No.	Ref. No.
1E6B30-45680	82	5
1E6B30-45700-2	83	1
1E6B30-45750	80	4
	84	2
1E6B30-46406	85	11
1E6B30-46480-1	85	12
1E6B30-46571	86	3
1E6B30-46582	86	4
1E6B30-46600	86	5
1E6B30-46720	86	6
1E6B30-51010	88	4
1E6B30-51040	87	5
	88	5
1E6B30-51051-1	87	6
	88	6
1E6B30-51100	89	1
	90	1
1E6B30-51151	87	7
	88	7
1E6B30-51800	87	9
	88	9
1E6B30-52410	93	2
1E6B30-52450	93	3
1E6B30-53171	105	6
1E6B30-53180	105	7
1E6B30-53600	91	9
1E6B30-53650	91	10
1E6B30-54411	94	1
1E6B30-54430	94	3
1E6B30-54440	94	5
1E6B30-54450	94	6
1E6B30-54500	95	1
1E6B30-55030	96	3
1E6B30-55110	93	7
1E6B30-55121	96	5
1E6B30-55150	96	6
1E6B30-55210	97	1
1E6B30-55221	97	2
1E6B30-55260	97	4
1E6B30-55270	97	5
1E6B30-55300	96	9
1E6B30-55430	98	5
1E6B30-61301	107	4
	108	4
1E6B30-61350	107	5
	108	5
1E6B30-61410	107	7
	108	7
1E6B30-61990	109	5
1E6B30-62211	109	9

Parts No.	Fig. No.	Ref. No.
1E6B30-62310-1	110	5
1E6B30-62350	110	6
1E6B30-62360	110	7
1E6B30-62950	119	1
1E6B30-63001	112	6
1E6B30-63051	112	7
1E6B30-63101-2	112	8
1E6B30-63160-1	112	10
1E6B30-64000	114	7
1E6B30-64051	114	8
1E6B30-64620	114	17
1E6B30-64630	114	18
1E6B30-65300	116	3
	117	7
1E6B30-66000	118	1
1E6B30-66220	120	2
1E6B30-66230	119	2
1E6B30-66260	120	3
1E6B30-66290	119	5
1E6B30-66360	119	6
1E6B30-66370	119	7
1E6B30-66380	119	8
1E6B30-66390	119	9
1E6B30-66400	118	6
1E6B30-66430	119	10
1E6B30-66450	120	10
1E6B30-66480	119	12
1E6B30-66490	119	13
1E6B30-66503	121	1
1E6B30-66510	121	2
1E6B30-66520	121	3
1E6B30-66530	121	4
1E6B30-66610	121	5
1E6B30-66620	121	6
1E6B30-67231	123	2
1E6B30-67450	123	6
1E6B30-67490	123	7
1E6B30-67500	123	9
1E6B30-67570	123	11
1E6B30-67810	123	8
1E6B30-67820	123	10
1E6B30-67830	123	13
1E6B30-68101	124	3
1E6B30-68401-2	126	1
1E6B30-68501	126	3
1E6B30-68602-1	126	4
1E6B30-69002	127	1
1E6B30-69200	127	2
1E6B30-69950	127	7
1E6B30-69960	127	8

Parts No.	Fig. No.	Ref. No.
1E6B30-69970	127	9
1E6B30-73040-1	131	34
1E6B30-73070	132	6
	133	5
1E6B30-73200	132	1
1E6B30-73210	133	1
1E6B30-73250	132	9
	133	8
1E6B30-73260	132	13
	133	13
1E6B30-73410	129	2
1E6B30-73440	129	3
1E6B30-75180	144	3
1E6B30-75800	143	23
1E6B30-75810	143	25
1E6B30-75852	143	30
1E6B30-75950	143	34
1E6B30-77101-1	145	2
1E6B30-77201-1	145	3
1E6B30-81880	148	2
1E6B30-82300	108	11
1E6B30-83170	146	2
1E6B30-83180	146	3
1E6B30-84950	149	2
1E6B30-91500-1	150	3
1E6B30-91701-1	150	4
1E6B30-91750-1	150	5
1E6B30-91801	150	6
1E6B30-91830	150	7
1E6B30-91920	150	9
1E6B30-91930	150	10
1E6B30-91980	150	11
1E6B30-92420	151	4
1E6B30-92440	151	5
1E6B30-97151	154	6
1E6B30-97201	154	7
1E6B30-97281	154	9
1E6B30-97291	154	10
1E6B30-97480	153	9
1E6B30-97490	154	12
1E6B30-97510	155	1
1E6B30-97520	155	2
		3
1E6B30-97530	155	4
		5
1E6B30-97541	155	6
		7
		8
		9
1E6B30-97550	155	10

Parts No.	Fig. No.	Ref. No.	
1E6B30-97550	155	11	
		12	
		13	
1E6B30-97560	155	14	
		15	
		16	
		17	
		18	
1E6B30-97580	156	4	
1E6B30-97591	156	5	
1E6B30-97610	156	6	
1E6B30-97620	156	7	
1E6B30-97634	156	8	
1E6B30-97651	155	19	
		20	
1E6B30-97660	156	9	
1E6B30-97670	156	10	
1E6B30-97680	156	11	
1E6B30-97690	156	12	
1E6B30-97710	153	10	
1E6B30-97741	153	11	
1E6B30-97760	153	12	
1E6B30-97771	156	13	
1E6B30-97781	153	13	
1E6B30-97790	153	14	
1E6B30-97800	156	14	
1E6B30-97810	154	14	
1E6B30-97830	154	15	
1E6B30-97860	154	17	
1E6B30-97870	156	15	
1E6B30-97881	154	18	
1E6B30-98100	157	6	
1E6B30-98140-1	158	37	
		159	37
1E6B31-45402	82	2	
1E6B31-75460	7	17	
	8	17	
1E6B31-94180	124	7	
1E6B31-94580-1	150	13	
1E6B35-04530	9	2	
1E6B35-04551	9	3	
1E6B35-04800	9	6	
1E6B35-04851	9	9	
1E6B35-18500-2	25	3	
1E6B35-18700-2	25	4	
1E6B35-31481	47	1	
1E6B35-31640	43	5	
1E6B35-31680	43	6	
1E6B35-33110-1	48	3	
1E6B35-33130-1	48	4	

Parts No. Index

Parts No.	Fig. No.	Ref. No.
1E6B35-33170-1	48	5
1E6B35-44300	79	1
1E6B35-44500	79	2
1E6B35-44550	79	3
1E6B35-44602	43	11
1E6B35-45480	82	3
1E6B35-45580	82	4
1E6B35-45600	81	13
1E6B35-69301	127	3
1E6B35-74201	138	3
1E6B35-74271-1	139	1
1E6B35-74300-1	140	2
1E6B35-74502-1	141	3
1E6B35-74552-1	141	5
1E6B35-74610	141	6
1E6B35-74700	140	3
1E6B35-82300	107	11
1E6B35-92051	152	6
1E6B35-92420	152	7
1E6B35-92504	152	8
1E6C30-82000	142	8
1E6C40-01171	4	3
1E6C40-01200	4	5
1E6C40-02000	5	1
1E6C40-03403	6	7
1E6C40-03500	6	8
1E6C40-03590	6	11
1E6C40-03660	6	12
1E6C40-04001	8	1
1E6C40-04010	8	2
1E6C40-04021	8	3
	159	1
1E6C40-04030	8	4
1E6C40-04041	8	5
1E6C40-04100	11	4
	12	4
1E6C40-04151	11	7
	12	7
1E6C40-04170	7	6
	8	6
1E6C40-04181	8	7
1E6C40-04190	8	8
1E6C40-04200-1	12	8
1E6C40-04210-1	12	9
1E6C40-04250-1	8	9
1E6C40-04280	6	13
		14
	7	10
	8	11
1E6C40-04311	11	8

Parts No.	Fig. No.	Ref. No.
1E6C40-04311	12	10
1E6C40-04400	11	9
	12	11
1E6C40-04480	11	13
	12	15
1E6C40-04500	10	1
1E6C40-04830	9	8
	10	8
1E6C40-04890	9	10
		11
	10	9
		10
1E6C40-17003	22	2
1E6C40-17013	22	3
	158	4
	159	4
1E6C40-17040	22	6
	158	7
	159	7
1E6C40-19850	27	2
1E6C40-22570	29	15
1E6C40-26150	32	3
1E6C40-26260	33	4
1E6C40-27010	32	7
1E6C40-27040	32	9
1E6C40-27300	35	4
1E6C40-27600	36	1
1E6C40-27650	36	7
1E6C40-29530	41	25
1E6C40-29550	41	26
1E6C40-29680	41	28
1E6C40-32281-1	47	2
1E6C40-33650	43	10
1E6C40-36580	39	15
1E6C40-38001	66	1
1E6C40-38010	66	2
1E6C40-38150	66	3
1E6C40-38190	66	4
1E6C40-38281	66	8
1E6C40-38301	66	9
1E6C40-38400	66	18
1E6C40-38471	66	19
1E6C40-38490	66	20
1E6C40-38690-1	67	6
1E6C40-39300	70	4
1E6C40-39600	70	9
1E6C40-39610	70	10
1E6C40-39630	70	11
1E6C40-42130	73	1
1E6C40-42170	73	2

Parts No.	Fig. No.	Ref. No.
1E6C40-43150	74	23
1E6C40-52910	93	6
1E6C40-53000	91	2
1E6C40-53160	105	5
1E6C40-53200	105	8
1E6C40-55410	98	3
1E6C40-55420	98	4
1E6C40-55550	93	8
1E6C40-61000-1	107	2
	108	2
1E6C40-61190-1	107	3
	108	3
1E6C40-61410	107	8
	108	8
	110	1
		2
1E6C40-61870	109	3
1E6C40-61900	109	4
1E6C40-62140-1	109	7
1E6C40-62180	109	8
1E6C40-62700-1	110	9
1E6C40-63140	112	9
1E6C40-64140	114	10
1E6C40-64221	115	4
1E6C40-64260	115	5
1E6C40-64550	114	14
1E6C40-64560	114	15
1E6C40-64600	114	16
1E6C40-66070	113	3
1E6C40-66161-1	113	4
1E6C40-66200	120	1
1E6C40-66210	113	5
1E6C40-66260	119	3
		4
1E6C40-66300	120	4
1E6C40-66310	120	5
1E6C40-66341	113	6
1E6C40-66390	120	9
1E6C40-66410	113	7
1E6C40-66440	113	8
1E6C40-66500	113	9
1E6C40-66530	122	1
1E6C40-66650	113	10
1E6C40-66670-1	113	11
1E6C40-66700	120	12
1E6C40-66710	113	12
1E6C40-66760	119	15
1E6C40-66771	122	2
1E6C40-66800	119	16
1E6C40-66830	119	17

Parts No.	Fig. No.	Ref. No.
1E6C40-66850	119	18
1E6C40-66860	119	19
1E6C40-66870	119	20
1E6C40-66890	119	21
1E6C40-66930	119	22
1E6C40-66961	113	13
1E6C40-66971	113	14
1E6C40-67260	123	3
1E6C40-67410	123	5
1E6C40-67800	123	4
1E6C40-68051	124	1
1E6C40-69150	119	23
1E6C40-69550	127	5
1E6C40-72710	130	2
1E6C40-73020	131	3
		18
1E6C40-73080	131	7
		22
1E6C40-73152	131	8
		23
1E6C40-73162	131	9
		24
1E6C40-73360	135	2
1E6C40-73400	129	1
1E6C40-73500	134	1
1E6C40-73950	137	1
1E6C40-75301-1	143	3
1E6C40-75381	143	4
1E6C40-75400-1	143	5
1E6C40-75450	143	8
1E6C40-75471	143	9
1E6C40-75501-1	143	12
1E6C40-75550-1	143	13
1E6C40-75611	143	15
1E6C40-75621	143	16
1E6C40-75631	143	17
1E6C40-75641	143	18
1E6C40-75670-1	143	19
1E6C40-75700-1	143	20
1E6C40-75750	143	21
1E6C40-75771	143	22
1E6C40-75801	143	24
1E6C40-75810	143	26
1E6C40-75820	143	27
1E6C40-75830	143	28
1E6C40-75840	143	29
1E6C40-75850	143	31
1E6C40-75861	143	32
1E6C40-75870	143	33
1E6C40-75970	142	2

Parts No. Index

Parts No.	Fig. No.	Ref. No.
1E6C40-81500	110	13
	145	8
		10
	152	2
1E6C40-81510		4
	110	14
	145	9
		11
	152	3
		5
1E6C40-81840	149	1
1E6C40-81950-1	148	3
1E6C40-83151-1	146	1
1E6C40-83200	146	5
1E6C40-92750	158	36
	159	36
1E6C43-00150	2	1
1E6C43-38500	67	2
1E6C43-38510	67	1
1E6C43-61500	109	2
1E6C43-62050	110	4
1E6C43-62110	109	6
1E6C43-62250	109	10
1E6C43-62450	110	8
1E6C43-62910	110	10
1E6C43-64200	115	3
1E6C43-65460	110	11
1E6C43-67210	123	1
1E6C43-68350	124	6
1E6C43-76000	142	3
1E6C43-76400	142	4
1E6C43-97010	153	3
1E6C43-97020	153	4
	154	2
1E6C43-97030	153	5
1E6C43-97090	153	7
1E6C43-97360	154	11
1E6C45-04002	7	1
1E6C45-04010	7	3
1E6C45-04190	7	7
1E6C45-04270	7	9
1E6C45-04400	7	13
	8	14
1E6C45-04501	9	1
1E6C45-04790	7	15
1E6C45-33002-1	48	2
1E6C45-33502-1	48	1
1E6C45-45501-1	81	12
1E6C45-51010	87	4
1E6C45-61360	107	6

Parts No.	Fig. No.	Ref. No.
1E6C45-61360	108	6
1E6C45-62001	110	3
1E6C45-68200	124	5
1E6C45-69600	127	6
1E6C45-73060	131	6
		21
1E6C45-73520	134	2
1E6C45-75401	143	6
1E6C45-75481	143	10
1E6C45-83220	146	6
1E6C45-97140	154	5
1E6C45-97220	154	8
1E6C45-97260	156	2
1E6C45-97290	156	3
1E6C48-00100	3	1
1E6C48-51700	90	5
1E6C48-65300	111	1
1E6C48-71001	128	1
1E6C48-84000	147	1
1E6C48-96060	154	1
1E6C48-97060	153	6
	154	3
1E6C48-97120	153	8
1E6C48-97130	154	4
1E6C49-97850	154	16
1E6C80-04600	9	4
	10	3
1E6C80-04760	9	5
	10	6
1E6C80-04810	9	7
	10	7
1E6C80-12200	13	2
1E6C80-13450	16	4
1E6C80-13520	16	9
1E6C80-14250	20	5
1E6C80-14290	20	7
1E6C80-16850	21	4
1E6C80-21550	28	8
1E6C80-22000	29	3
1E6C80-22360	29	6
1E6C80-22500	29	10
1E6C80-22540	29	12
1E6C80-22550	29	13
1E6C80-22560	29	14
1E6C80-22720	30	2
1E6C80-22730	30	3
1E6C80-22760	30	4
1E6C80-22800	30	5
1E6C80-23000	29	1
1E6C80-26500	34	1

Parts No.	Fig. No.	Ref. No.
1E6C80-26740	40	3
1E6C80-27100	35	1
1E6C80-27130	35	2
1E6C80-27200	35	3
1E6C80-27350	35	5
1E6C80-27380	35	6
1E6C80-27700	37	1
1E6C80-28001	38	1
1E6C80-28700	38	4
1E6C80-29100	41	1
1E6C80-29150	41	2
1E6C80-29200-1	41	3
1E6C80-29210-1	41	4
1E6C80-29220-1	41	5
		15
1E6C80-29250	41	6
1E6C80-29400-1	41	14
1E6C80-29410-1	41	17
1E6C80-29450	41	19
1E6C80-29650	41	27
1E6C80-31002	43	3
1E6C80-31400	44	1
1E6C80-31450	44	2
1E6C80-31470	43	4
1E6C80-32000	45	1
1E6C80-32020	45	2
1E6C80-32180	45	3
1E6C80-32190	45	4
1E6C80-32200	45	5
1E6C80-32320	45	8
1E6C80-33750	45	9
1E6C80-33800	45	10
1E6C80-33930	49	1
1E6C80-33940	49	2
1E6C80-33950	49	3
1E6C80-34200	53	1
1E6C80-34230	51	2
1E6C80-34250	52	1
1E6C80-34300	51	3
1E6C80-34340	51	4
1E6C80-34350	52	2
1E6C80-34360	52	3
1E6C80-34370	52	4
1E6C80-34400	54	1
1E6C80-34450	54	2
1E6C80-34500	70	2
1E6C80-34650	51	6
1E6C80-34900	51	8
1E6C80-34910	51	9
1E6C80-35020	55	1

Parts No.	Fig. No.	Ref. No.
1E6C80-35030	55	2
1E6C80-35040	55	3
1E6C80-35050	55	4
1E6C80-35060	55	5
1E6C80-35080	55	6
1E6C80-35090	55	7
1E6C80-35102	55	8
1E6C80-35111	55	9
1E6C80-35120	55	11
1E6C80-35130	55	13
1E6C80-35140	59	2
	60	2
1E6C80-35151	59	3
	60	3
1E6C80-35200	60	4
1E6C80-35211	56	2
1E6C80-35220	56	3
1E6C80-35230	59	5
1E6C80-35250	60	5
	59	6
	60	6
1E6C80-35300	57	7
1E6C80-35310	57	8
1E6C80-35330	60	7
1E6C80-35400	57	11
1E6C80-35500	59	7
	60	8
1E6C80-35510	59	8
	60	9
	158	26
	159	26
1E6C80-35740	58	5
1E6C80-36000	61	4
1E6C80-36010	61	5
1E6C80-36020	62	1
1E6C80-36030	56	4
1E6C80-36100	61	6
1E6C80-36140	61	7
1E6C80-36150	61	8
1E6C80-36180	61	9
	158	27
	159	27
1E6C80-36200	78	5
1E6C80-36240	63	4
1E6C80-36250	62	2
1E6C80-36301	63	5
1E6C80-36370	23	13
	62	3
	158	28
	159	28

Parts No. Index

Parts No.	Fig. No.	Ref. No.
1E6C80-36400	62	4
1E6C80-36450	65	2
1E6C80-36550	64	1
1E6C80-36600	64	2
1E6C80-38730	67	8
1E6C80-39500	70	8
1E6C80-42020	71	2
1E6C80-42800	74	8
1E6C80-42891	74	10
1E6C80-42920	74	15
1E6C80-42930	74	17
1E6C80-42950	74	20
1E6C80-42960	74	22
1E6C80-42970	75	4
1E6C80-42980	75	5
1E6C80-42990	75	6
1E6C80-43000	75	7
1E6C80-43010	75	8
1E6C80-43050	75	9
1E6C80-43100	75	10
1E6C80-43160	75	11
1E6C80-43180	75	12
1E6C80-43190	75	13
1E6C80-43200	75	14
1E6C80-44250	78	6
1E6C80-44310	78	7
1E6C80-44320	56	5
1E6C80-44330	78	8
1E6C80-44350	56	6
1E6C80-45080	80	3
1E6C80-46090	84	3
1E6C80-46830	43	12
1E6C80-51340	89	2
	158	29
1E6C80-51350	90	2
	159	29
1E6C80-51501	89	3
	90	3
1E6C80-51600	89	4
	90	4
1E6C80-51700	89	5
1E6C80-65000	117	2
1E6C80-65030	117	3
1E6C80-65060	117	4
1E6C80-65070	117	5
1E6C80-65090	117	6
1E6C80-65200	116	1
1E6C80-65250	116	2
1E6C80-65390	111	2
1E6C80-65400	111	3

Parts No.	Fig. No.	Ref. No.
1E6C80-65410	111	4
1E6C80-65430	111	5
1E6C80-65440	111	6
1E6C80-65470	142	1
1E6C80-65480	111	7
1E6C80-69500	127	4
1E6C80-76400	142	5
1E6C80-76900	142	6
1E6C80-96160	153	1
1E6C80-96260	153	2
1E6C80-96950	156	1
1E6C80-97600	154	13
1E6C80-97890	154	19
1E6C85-12100	13	1
1E6C85-12300	13	3
1E6C85-12400	13	4
1E6C85-13000	14	1
1E6C85-13200	15	1
1E6C85-13230	14	2
	15	2
	15	3
1E6C85-13250	14	3
	15	3
1E6C85-13640	17	6
1E6C85-13800	18	1
1E6C85-14000	19	1
1E6C85-14100	19	5
1E6C85-14200	20	2
1E6C85-14220	20	3
1E6C85-14230	20	4
1E6C85-14310	20	8
1E6C85-14400	20	9
1E6C85-15000	21	1
1E6C85-17100	22	1
1E6C85-17420	24	12
1E6C85-17430	23	2
1E6C85-17440	24	13
1E6C85-17450	23	3
1E6C85-17490	23	4
1E6C85-17500	23	5
1E6C85-17521	23	6
1E6C85-17530	23	7
1E6C85-17540	24	14
1E6C85-17550	23	8
1E6C85-17570	23	9
1E6C85-17850	23	10
1E6C85-17860	22	28
1E6C85-19300	26	1
1E6C85-19500	26	2
1E6C85-19800	27	1
1E6C85-21040	28	1

Parts No.	Fig. No.	Ref. No.
1E6C85-21300	30	1
1E6C85-21320	28	2
1E6C85-21400	28	6
1E6C85-21500	28	7
1E6C85-26200	33	1
1E6C85-31440	76	1
1E6C85-35200	59	4
1E6C85-42402	74	1
1E6C85-42501	74	2
1E6C85-42890	74	11
1E6C85-42900	74	12
1E6C85-43350	75	18
1E8050-52230	92	7
1E8050-66590	119	14
1E8050-66790	118	7
1E8130-66220	118	4
1E8230-14400	75	1
1E8230-85503	122	3
1E8230-85511	122	4
1E8230-85520	122	8
1E8230-85530	122	9
1E8230-85540	122	10
1E8235-52050	92	3
1E8235-52090	92	4
1E8235-52210	92	6
1E8235-84910	147	6
1E8255-81180	114	20
	117	12
1E8270-29510	41	20
1E8270-29520	41	21
1E8300-35050	87	3
	88	3
	158	24
	159	24
1E8300-94780	123	14
1E8330-85530	119	29
1E8361-35430	132	2
1E8379-54580	94	11
	95	2
1E8380-01200	4	6
1E8380-73020	131	32
1E8420-73150	136	6
1E8420-73160	136	7
1E8440-52013	92	1
1E8440-52020	92	2
1E8450-55230	97	3
1E8450-73770-1	136	10
1E8530-42900	103	1
1E8540-35070	144	1
1E8540-66770	120	13

Parts No.	Fig. No.	Ref. No.
1E8540-82100	110	15
1E8540-82210	110	16
1E8540-83220	147	4
	158	35
	159	35
1E8540-84101	1	3
1E8550-00160	1	2
1E8550-63800	114	4
1E8550-66150-1	118	3
1E8550-68060	124	2
1E8550-75440	143	7
1E8550-77400-2	145	4
1E8550-84220	114	22
	117	14
1E8550-85760	67	4
1E8550-91980	150	12
1E8550-97880	147	10
		11
1E8552-65650	117	9
1E8552-75110	143	2
1E8555-54330	106	2
1E8555-54340	106	4
1E8559-01220	4	7
1E8559-02200	5	3
1E8559-02400	5	4
1E8559-03080	6	3
1E8559-11060	91	1
1E8559-12500	23	1
	57	1
		2
	58	1
	65	1
	130	1
1E8559-17110	136	1
		4
1E8559-22220	57	3
	61	1
	63	1
	78	1
	112	1
1E8559-24150	87	1
	88	1
1E8559-29130	9	12
		13
	10	11
		12
	87	2
	88	2
1E8559-32940	11	15
	12	17

Parts No. Index

Parts No.	Fig. No.	Ref. No.
1E8559-35161	61	2
	63	2
1E8559-35170	78	2
	112	2
1E8559-35290	9	14
	57	6
1E8559-35310-1	57	9
1E8559-35380	80	1
	82	1
	84	1
	86	1
1E8559-35700	70	3
	112	3
		4
	141	1
1E8559-48150	38	5
	140	1
1E8559-51670	112	5
1E8559-61970	107	9
	108	9
1E8559-63130	39	18
1E8559-63481	114	1
		2
1E8559-63660	112	11
1E8559-63860	114	5
1E8559-64220	114	11
1E8559-64230	114	12
1E8559-64250-1	114	13
1E8559-65690	117	10
1E8559-65700	117	11
1E8559-66300	118	5
1E8559-66770	120	14
1E8559-68160	124	4
1E8559-73030	132	4
	133	3
1E8559-73060	132	5
	133	4
1E8559-73080	132	7
	133	6
1E8559-73100	132	8
	133	7
1E8559-73130	136	5
1E8559-73200	136	2
1E8559-73280	59	14
		15
	60	14
		15
	87	11
	88	11
1E8559-73500	136	8

Parts No.	Fig. No.	Ref. No.
1E8559-73530	136	9
1E8559-73540	132	10
	133	9
1E8559-74350-1	141	2
1E8559-74500	141	4
1E8559-75030	23	15
	35	7
	123	16
1E8559-75040	144	2
1E8559-75320-2	144	4
1E8559-75340	144	5
1E8559-75370	144	6
1E8559-75390	144	7
1E8559-75580	143	14
1E8559-81240	145	7
1E8559-83090	6	32
1E8559-84960	1	4
	11	18
	12	20
	113	16
	119	27
		28
	120	19
	147	7
		8
1E8559-84970	1	5
	6	33
		34
	41	29
	109	11
	116	4
	147	9
	149	3
1E8559-91300	150	2
1E8559-91850	150	8
1E8559-92230	151	1
1E8559-92370	151	2
1E8559-92410	151	3
1E8559-92450	151	6
1E8559-92760	151	7
1E8559-98020	157	3
1E8559-98050	157	4
1E8559-98060	157	5
1E8560-66350	120	6
1E8560-66360	120	7
1E8560-66370	120	8
	158	33
	159	33
1E8560-81740	150	1
1E8665-81300	107	10

Parts No.	Fig. No.	Ref. No.
1E8665-81300	108	10
	110	12
1E8665-83150	147	2
1E8665-83170	147	3
1E8770-81320	112	12
1E8809-04010	11	2
	12	2
1E8809-13010	99	1
1E8809-83900	146	8
1E8915-81450	114	21
	117	13
1E8923-81300	152	1
1E8941-73350	135	1
1E8970-84820	147	5
1E8990-42150	71	4
1E8990-42170	71	5
1E8990-42250	71	8
1E9060-01150	4	2
1E9060-51720	17	10
	61	10
	62	5
	67	11
	87	8
	88	8
	131	1
1E9060-52280	92	8
1E9060-53080	91	5
1E9060-54480	94	8
1E9060-54490	94	9
1E9060-55490	98	8
1E9060-55560	98	9
1E9060-55570	98	10
1E9060-61420	109	1
1E9060-63700	114	3
1E9060-63990	114	6
1E9060-64101	114	9
1E9060-65500	117	8
1E9060-73010	132	3
1E9060-73031	131	33
	158	34
	159	34
1E9060-73050	131	35
1E9060-74800	140	4
1E9060-75490	143	11
1E9061-66050	118	2
1E9061-73000	133	2
1E9061-74010	138	1
1E9061-74020	138	2
1E9062-04080	11	3
	12	3

Parts No.	Fig. No.	Ref. No.
1E9062-54330	106	3
1E9063-01110	4	1
1E9063-56320	100	3
1E9063-75000-1	143	1
1E9110-66490	120	11
1E9111-17150	24	11
1E9256-82600	107	12
		13
		14
		15
	108	12
		13
		14
		15
1E9265-84300	21	5
	113	15
	114	23
	121	7
1E9300-54320	106	1
1E9430-64800	114	19
1J5025-47010	11	17
	12	19
	43	13
1RF001-00114	148	1
1RF001-93010	149	4
1S7596-17071	22	8
	158	9
		17
	159	9
1S7596-17080	22	9
	29	2
	158	10
	159	10
1S7596-24170	22	22
22117-060000	5	7
	150	14
22117-080000	5	8
	116	5
22117-100000	75	15
	117	15
22117-120000	141	7
	144	8
22137-030000	114	24
	117	16
22137-050000	113	17
22137-060000	29	19
	66	10
	74	24
	113	18

Parts No. Index

Parts No.	Fig. No.	Ref. No.
22137-060000	151	8
22137-080000	7	18
	8	18
	35	8
	37	3
	40	5
	66	21
	73	3
	79	4
	81	14
	85	13
	112	13
	113	19
	118	8
	144	9
22137-100000	114	25
		26
22137-120000	17	11
	23	16
	71	9
	104	2
	117	17
	129	4
22137-140000	138	4
	42	2
	127	10
	132	14
	133	14
22137-160000	20	10
	41	30
	63	6
	127	11
22137-200000	20	11
	117	18
		19
22157-060000	122	18
	124	8
	143	35
		36
	150	15
22157-080000	1	6
	6	35
	9	15
		16
		17
		18
		19
		20
	10	13
		14

Parts No.	Fig. No.	Ref. No.
22157-080000	10	15
		16
		17
		18
		19
	11	19
	12	21
	17	12
	26	3
	27	3
	28	11
	38	6
	45	11
	53	2
	54	3
	70	14
	74	25
	77	2
	89	6
		7
		8
	90	6
		7
		8
	109	12
	112	14
	123	17
	127	12
	144	10
	146	9
	150	16
22157-100000	100	5
	126	5
	142	9
22157-120000	23	17
	28	12
22190-080000	91	11
	105	9
22190-120002	1	7
	6	36
22207-040320	98	11
22212-160000	131	10
		25
22217-030000	114	27
	117	20
22217-050000	152	9
22217-060000	21	6
	22	11
	29	20
	66	11
	74	26

Parts No.	Fig. No.	Ref. No.
22217-060000	80	5
	82	6
	84	5
	86	8
		9
	150	17
	151	9
	158	12
	159	12
22217-080000	1	8
	37	4
	45	12
	47	3
	66	22
	67	5
	70	15
	71	10
	72	3
	73	4
	74	27
	75	19
	79	5
	81	15
	82	7
		8
	85	14
	113	20
	115	6
	118	9
	125	2
	145	5
	146	10
22217-100000	22	23
	87	12
	88	12
	89	9
	90	9
	91	12
	100	6
	103	4
	114	28
	126	6
	136	11
		16
22217-120000	4	8
	23	18
	29	21
	33	8
	57	13
		14

Parts No.	Fig. No.	Ref. No.
22217-120000	58	9
	65	6
	71	11
		12
	104	3
	129	5
	130	3
22217-140000	17	13
	22	31
	23	19
	42	3
	61	11
	62	6
	67	12
	87	13
	88	13
	132	15
	133	15
22217-160000	38	7
	40	6
	59	16
	60	16
	87	14
	88	14
	134	3
22217-200000	56	7
	59	17
	60	17
22242-000100	75	16
22242-000150	20	12
	58	10
	78	9
22242-000170	23	20
	75	20
22242-000180	92	13
22242-000200	19	6
	20	13
	24	18
	59	18
	60	18
	112	15
22242-000250	101	5
	102	5
22242-000300	32	10
	81	6
	85	6
22242-000350	96	10
22242-000400	55	14
22242-000450	78	10
22242-000551	66	23

Parts No. Index

Parts No.	Fig. No.	Ref. No.
22252-000350	19	7
	20	14
	57	15
	58	11
	87	15
	88	15
22252-000360	101	20
	102	20
22252-000401	24	19
	28	13
	33	9
	65	7
	71	13
22252-000420	136	12
22252-000421	19	8
	22	12
	23	21
	158	13
	159	13
22252-000470	59	19
	60	19
22252-000471	57	16
	61	12
	63	7
	71	14
22252-000521	23	22
	24	20
	35	9
	59	20
	60	20
	61	13
	80	6
	84	6
	87	16
	88	16
22252-000551	59	21
	60	21
22252-000620	132	11
	133	10
22252-000621	13	6
	32	11
	67	13
	81	7
	85	7
22252-000650	101	21
	102	21
22252-000721	24	21
		22
	30	7
	55	15

Parts No.	Fig. No.	Ref. No.
22252-000721	56	8
	105	10
	131	11
		26
22252-000751	78	11
22252-000801	39	19
	98	12
22252-000901	55	16
22272-000040	5	9
22272-000060	113	21
22272-000090	122	11
22272-000100	17	14
22272-000120	41	31
	115	7
22272-000150	57	17
	61	14
	63	8
	70	16
	78	12
	113	22
	117	21
		22
22272-000190	59	22
	60	22
22312-080250	55	17
22351-030016	144	11
22351-030020	114	29
22351-030032	39	20
	40	7
22351-030040	24	23
	71	15
22351-035032	99	7
22351-050032	39	21
	40	8
22351-050040	24	24
	71	16
22351-060032	99	8
22372-060000	131	36
22372-080000	17	15
	123	18
22372-100000	20	15
	126	7
		8
22417-160160	5	10
	113	23
	150	18
22417-160200	113	24
22417-200100	36	6
22417-200150	75	17
22417-200160	40	9

Parts No.	Fig. No.	Ref. No.
22417-200160	112	16
		17
22417-200200	113	25
	114	30
	116	6
	117	23
	144	12
22417-250250	63	9
	114	31
	138	5
22417-320200	141	8
22417-400320	41	32
22487-050160	113	26
22487-060400	131	37
22487-080200	11	20
	12	22
	17	16
22487-080700	20	16
22487-100350	138	6
22487-120450	112	18
22550-050300	56	9
22550-070250	59	23
22550-120450	60	23
	58	12
22551-050150	57	18
22551-050200		19
	117	24
22551-050250	71	17
22551-070201	24	25
22551-070250	13	7
	23	23
	33	10
	39	22
22551-070300	13	8
	23	24
	32	12
22551-070301	87	17
	88	17
22551-070350	59	24
	60	24
22551-070500	64	3
22641-500160	22	13
	158	14
		38
	159	14
		38
22693-320641	32	13
22695-320321	154	20
22695-320481	143	37
22697-400321	49	4

Parts No.	Fig. No.	Ref. No.
22697-400321	75	21
22857-600160	151	10
23000-013000	6	37
	11	21
	12	23
23000-019000	6	38
23000-022000	1	9
	119	30
23000-028000	119	31
	120	20
23000-035000	119	32
	120	21
23000-048000	11	22
		23
	12	24
		25
23000-060000	8	19
23000-090000	7	19
23000-102000	7	20
		21
	8	20
23000-115000	8	21
		22
23000-127000	7	22
	8	23
23061-120300	157	7
23391-020000	41	33
23393-020000	119	33
23393-030000	119	34
23394-020000	41	34
23394-030000	119	35
23414-160000	131	12
		27
23490-120002	55	18
23490-200002	24	26
23980-730550	11	24
	12	26
24101-060044	136	13
24101-062034	24	27
24101-062054	24	28
	105	11
24101-062064	133	11
24101-062074	24	29
		30
	131	13
		28
24101-063024	24	31
24101-063044	24	32
24101-063050	101	6
	102	6

Parts No. Index

Parts No.	Fig. No.	Ref. No.
24104-060034	58	13
	87	18
	88	18
24104-060044	19	9
24104-060064	59	25
	60	25
24104-060084	39	23
24104-060094	78	13
24104-062024	19	10
	20	17
	57	20
24104-062034	28	14
	33	11
	65	8
	71	18
	75	22
	82	9
24104-062044	59	26
	60	26
	71	19
24104-062054	23	25
	29	22
	35	10
	61	15
24104-062064	13	9
	32	14
	67	14
	81	8
	85	8
24104-062074	39	24
	55	19
24104-062084	39	25
24104-062114	55	20
	66	24
24104-063014	74	28
24104-063024	22	14
	23	26
	158	15
	159	15
24104-063034	57	21
	61	16
	63	10
	71	20
		21
24104-063044	59	27
	60	27
	80	7
	84	7
	87	19
	88	19

Parts No.	Fig. No.	Ref. No.
24104-063064	30	8
	56	10
		11
24104-063084	55	21
24190-100002	99	9
24190-120001	39	26
24311-000100	122	12
24311-000110	6	25
24311-000140	39	27
	99	10
	122	13
24311-000160	91	13
	118	10
24311-000180	41	11
24311-000210	91	14
24311-000224	41	22
24311-000360	41	12
		23
24315-000140	101	11
	102	11
	119	11
	120	16
24315-000180	101	12
	102	12
	119	26
	120	18
24315-000240	119	24
	120	22
24321-000350	122	14
24321-000650	101	13
	102	13
	105	12
24321-000700	91	15
	118	11
24321-000950	55	22
	93	9
24325-000600	123	15
24341-000125	92	11
24341-000400	98	13
24341-000550	101	14
	102	14
24341-000560	101	22
	102	22
24351-020280	91	16
24421-254208	24	33
24421-305208	24	34
24421-457212	55	23
	105	13
24421-609011	55	24
24423-254208	95	3

Parts No.	Fig. No.	Ref. No.
24430-204206	22	32
	23	27
24550-012150	23	28
24550-015150	114	32
24550-016120	122	15
24550-018100	113	27
		28
24550-018200	39	28
24550-020150	29	23
	116	7
	117	25
		26
24550-020200	57	22
	78	14
24550-020250	20	18
	61	17
	63	11
24550-025300	59	28
	60	28
24550-045300	123	12
24550-070300	39	29
24761-060000	123	19
	131	14
		29
	132	12
	133	12
	136	14
25123-004602	58	14
	158	39
	159	39
25123-005802	78	15
	158	40
	159	40
25210-600621	64	4
26013-060162	114	33
	124	9
	143	38
26013-060252	144	13
26013-080162	29	24
	74	29
	77	3
	118	12
	158	41
	159	41
26013-080202	7	23
		24
	8	24
		25
	9	21
		22

Parts No.	Fig. No.	Ref. No.
26013-080202	9	23
		24
		25
		26
	10	19
		20
		21
		22
		23
		24
	11	25
	12	27
	17	17
	28	15
	54	4
	57	23
		24
	61	18
		19
	63	12
	71	22
	78	16
	89	10
	90	10
	109	13
	144	14
	150	19
26013-080252	22	24
	26	4
	27	4
	53	3
	55	25
	70	17
	80	8
	84	8
	89	11
		12
	90	11
		12
	112	19
26013-080302	92	14
	93	10
26013-080352	55	26
26013-080402	20	19
	91	17
26013-080552	91	18
26013-080702	122	19
26013-100202	4	9
	89	13
	90	13

Parts No. Index

Parts No.	Fig. No.	Ref. No.
26013-100202	115	8
26013-100252	13	10
	22	34
	30	9
		10
	56	12
	78	17
	105	14
	122	20
	142	10
26013-100302	4	10
	35	11
	105	15
26013-100352	20	20
26013-100502	24	35
26013-120302	2	2
	3	2
	30	11
		12
	56	13
26013-120352	55	27
26013-120402	66	25
	91	19
26014-060122	70	18
	124	10
	140	5
26014-060162	6	39
	11	26
		27
		28
	12	28
		29
		30
		31
	39	30
		31
		32
	86	10
	109	14
		15
		16
		17
		17
		27
	110	17
		18
		19
		20
	111	8
	120	23
	128	3

Parts No.	Fig. No.	Ref. No.
26014-060162	143	39
		40
		41
	150	20
		21
		22
26014-060202	32	15
	110	21
	148	4
26014-080162	9	27
	10	25
	26	5
	34	2
	38	8
	43	14
		15
		16
	44	3
		4
	51	10
		11
	64	5
	66	12
	67	15
	69	3
		4
	74	30
		31
		32
		33
	75	23
		24
	79	6
		7
	81	16
		17
	83	2
	85	15
		16
		17
	107	16
		17
		17
		18
		18
	109	18
	110	22
	113	29
	121	8

Parts No.	Fig. No.	Ref. No.
26014-080162	131	38
	143	42
		43
	144	15
	147	12
		13
	150	23
26014-080202	6	40
	11	29
		30
	12	32
		33
	14	6
		7
	15	6
		7
	16	6
		11
	17	18
		19
	21	7
	35	12
	40	10
	43	17
	45	13
		14
		15
	46	4
		5
	48	6
	49	5
	51	12
		13
	52	5
	54	5
	61	20
	62	7
		8
	66	26
	67	16
	68	2
	75	25
	76	5
	81	18
		19
		20
	85	18
		19
		20
	109	19

Parts No.	Fig. No.	Ref. No.
26014-080202	109	20
		21
		22
		23
		24
		25
	111	9
	123	20
		21
	124	11
	127	13
		14
	142	11
		12
		13
	144	16
	145	12
		13
	146	11
		12
	148	5
	150	24
		25
		26
	152	10
		11
	158	42
	159	42
26014-080252	7	25
	8	26
	23	29
	35	13
	81	21
		22
	85	21
	107	19
	108	19
	110	23
	120	24
26014-080302	6	41
	24	36
26014-080352	39	33
26014-080502	24	37
26014-080552	18	3
26014-080602	65	9
26014-081002	6	42
26014-100202	4	11
	54	6
	66	13
	67	17

Parts No. Index

Parts No.	Fig. No.	Ref. No.
26014-100202	70	19
	81	23
	120	25
	127	15
	146	13
26014-100252	25	5
		6
	27	5
	47	4
	48	7
	66	14
	67	18
	142	14
		15
	152	12
		13
26014-100302	24	38
	30	13
	55	28
26014-100352	66	15
	130	4
26014-100452	19	11
26014-120302	42	4
26016-060252	122	16
26016-060402	122	17
26022-050122	112	20
26022-060162	143	44
26023-050122	146	14
26033-060162	138	7
26106-080162	6	43
26106-080202	9	28
	10	26
		27
26106-080302	9	29
26106-100252	10	28
26116-080162	36	8
	71	23
	91	20
	105	16
26116-080252	86	11
26116-080304	75	26
26116-080404	118	13
26116-080452	127	16
26116-080704	7	26
	8	27
26116-080904	6	44
26116-100552	114	34
26116-100602	103	5
26116-100654	30	14
		15

Parts No.	Fig. No.	Ref. No.
26116-100654	30	16
26116-101002	89	14
	90	14
26116-101052	91	21
26116-120404	141	9
26116-120552	65	10
26116-120602	23	30
26116-120654	141	10
26116-120702	33	12
26116-120802	129	6
26116-120902	129	7
26116-121002	129	8
26116-121702	130	5
26116-121802	104	4
26116-122002	104	5
26117-050252	152	14
26156-100252	136	15
		17
26156-140302	42	5
	61	21
	62	9
	67	19
26156-140352	17	20
	132	16
	133	16
26156-160352	38	9
26156-160452	40	11
26156-160552	134	4
26216-080202	119	36
26306-080002	9	30
	10	29
	119	37
26306-100002	9	31
		32
	10	30
26346-080002	36	9
	74	34
		35
		36
		37
26346-100002	100	7
	103	6
26347-080002	127	17
26367-050002	142	16
	150	27
26367-060002	31	2
	109	26
	142	17
	147	14
	148	6

Parts No.	Fig. No.	Ref. No.
26367-060002	150	28
	151	11
26367-080002	25	7
		8
	38	10
	43	18
	44	5
	45	16
		17
	50	3
	67	20
		21
	74	38
	76	6
	86	12
	110	24
		25
	145	14
	146	15
		16
	152	15
26367-100002	25	9
		10
26367-120002	41	35
	23	31
	28	16
26450-060162	66	16
	143	45
26476-060142	91	22
		23
	99	11
26487-080202	25	11
		12
26487-100253	25	13
		14
26487-100353	22	25
26487-100403	22	26
26587-030202	114	35
	117	27
26587-060122	143	46
26636-060002	21	8
26677-160002	131	15
		30
26716-080002	92	12
26716-120002	104	6
26717-060002	74	39
	86	13
	122	21
	150	29
	151	12

Parts No.	Fig. No.	Ref. No.
26717-080002	1	10
	5	11
	6	45
	7	27
	8	28
	14	8
	15	8
	18	4
	35	14
	37	5
	45	18
	47	5
	58	15
	66	27
	70	20
	71	24
		25
	72	4
	73	5
	74	40
	75	27
	78	18
	79	8
	81	24
	82	10
		11
	85	22
	86	14
	112	21
	113	30
		31
	115	9
		10
	125	3
	146	17
	158	43
	159	43
26717-100002	20	21
	22	27
	30	17
		18
		19
	33	13
	57	25
	59	29
	60	29
	61	22
	65	11
	87	20
		21

Parts No. Index

Parts No.	Fig. No.	Ref. No.	
26717-100002	88	20	
		21	
	114	36	
		37	
		38	
26717-120002	4	12	
	23	32	
		33	
	29	25	
	117	28	
	129	9	
	130	6	
	141	11	
	26717-140002	22	33
		23	34
26737-120002	24	39	
	57	26	
		27	
	58	16	
26737-140002	71	26	
	87	22	
	88	22	
26737-160002	13	11	
	23	35	
	28	17	
	33	14	
	39	34	
	59	30	
	60	30	
	87	23	
	88	23	
	114	39	
	131	16	
		31	
	26737-200002	56	14
		59	31
		60	31
26737-240002	135	3	
26757-080002	75	28	
	145	6	
26757-100002	32	16	
26757-160002	141	12	
26776-100002	122	5	
26777-120002	24	40	
26777-160002	13	12	
	23	36	
	28	18	
	29	26	
	33	15	
	39	35	

Parts No.	Fig. No.	Ref. No.
26777-160002	41	13
		24
	114	40
26911-120122	39	36
27260-250000	91	24
27260-420002	94	12
27260-620000	101	15
	102	15
	157	8
28110-100120	157	9
28110-120140	157	10
28110-170190	157	11
28110-220240	157	12
28120-002000	157	13
28170-001500	157	14
28210-000140	120	26
29311-124000	43	19
29311-254000	154	21
41802-310040	128	2
7E6150-83301	81	1
7E6B30-45100-1	85	1
	96	2
7E6B30-55120	96	7
7E6B30-55300	157	1
7E6B30-98100	93	1
7E6C40-52550	136	3
7E6C40-73500	131	2
7E6C45-73000	131	17
7E6C45-73010	16	1
7E6C80-13400	16	2
7E6C80-13450	16	7
7E6C80-13520	80	2
7E6C80-45000	84	4
7E6C80-46100	86	2
7E6C80-46500		

Parts No.	Fig. No.	Ref. No.
-----------	----------	----------

Parts No.	Fig. No.	Ref. No.
-----------	----------	----------