

MH 610.0

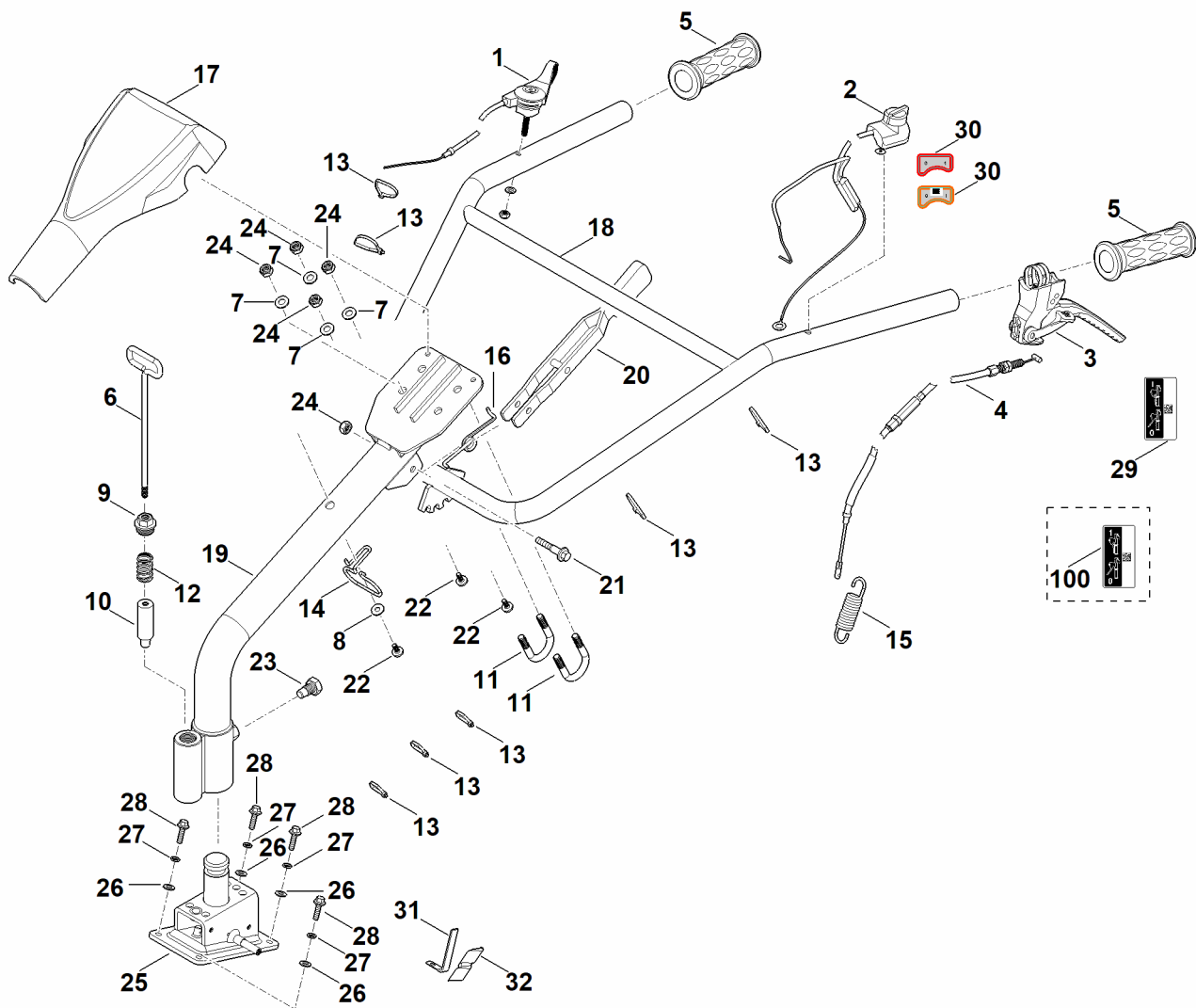
Spare Parts List
02/08/2023
Indonesia, English

Performance

Contents

A - Handle	2
B - Engine	5
C - Cover, Chassis	7
D - Drive	10
E - Gear head	13
F - Hoe assy.	16
G - Tyres	18
H - Lubricants	20
I - Tools	22
J - Special tool	24

A - Handle



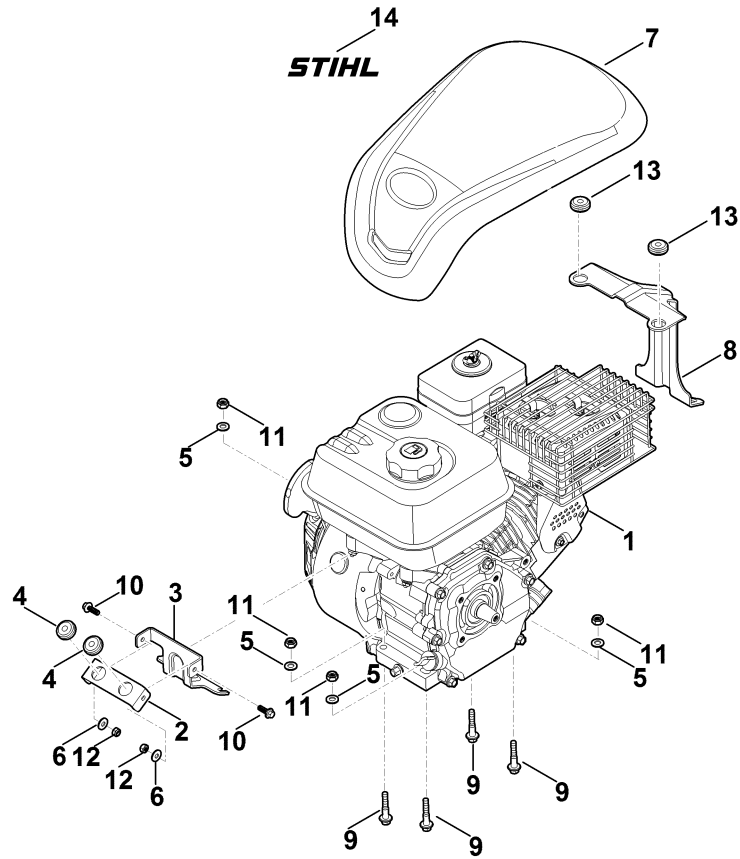
A - Handle

#	Part Number	Description	Quantity	Contains Item(s)	Remarks
1	6250 180 1100	Throttle cable	1		
2	6250 430 0200	Stop switch	1	30	
3	6250 710 3500	Lever (clutch)	1	29	
4	6250 710 9900	Clutch cable	1		
5	6250 711 4400	Knob	2		
6	6250 711 4401	Knob	1		
7	6250 716 0200	Washer	4		
8	6250 716 0201	Washer	1		
9	6250 716 0300	Nut	1		
10	6250 716 2000	Bolt	1		
11	6250 716 2200	Bow	2		
12	6250 716 2400	Compression spring	1		
13	6250 716 4400	Lead retainer	7		
14	6250 716 4401	Lead retainer	1		
15	6250 716 4900	Tension spring	1		
16	6250 716 5600	Torsion spring	1		
17	6250 717 3600	Cover	1		
18	6250 740 5200	Upper handlebar	1		
19	6250 740 6100	Steering handle	1		
20	6250 820 1200	Handle (height adjustment)	1		
21	6250 951 0800	Hexagon head screw	1		
22	6250 951 2600	Lens-head screw	4		
23	6250 951 3500	Flat head screw	1		
24	6250 955 1100	Hexagon nut with clamping element M8	5		
25	6250 740 0200	Bracket	1		
26	6250 716 0200	Washer	4		
27	6250 716 2700	Snap ring	4		

A - Handle

#	Part Number	Description	Quantity	Contains Item(s)	Remarks
28	6250 951 0801	Hexagon head screw M8x30	4		
29	6250 967 4417	Label	1		
30	6250 967 4413	Label	1		
30	6250 967 4416	Label	1		PRC
31	6250 716 4402	Lead retainer	1		
32	6250 711 7200	Hose	1		
100	6250 967 4401	Label Up to Serial Number: 999626147	1		

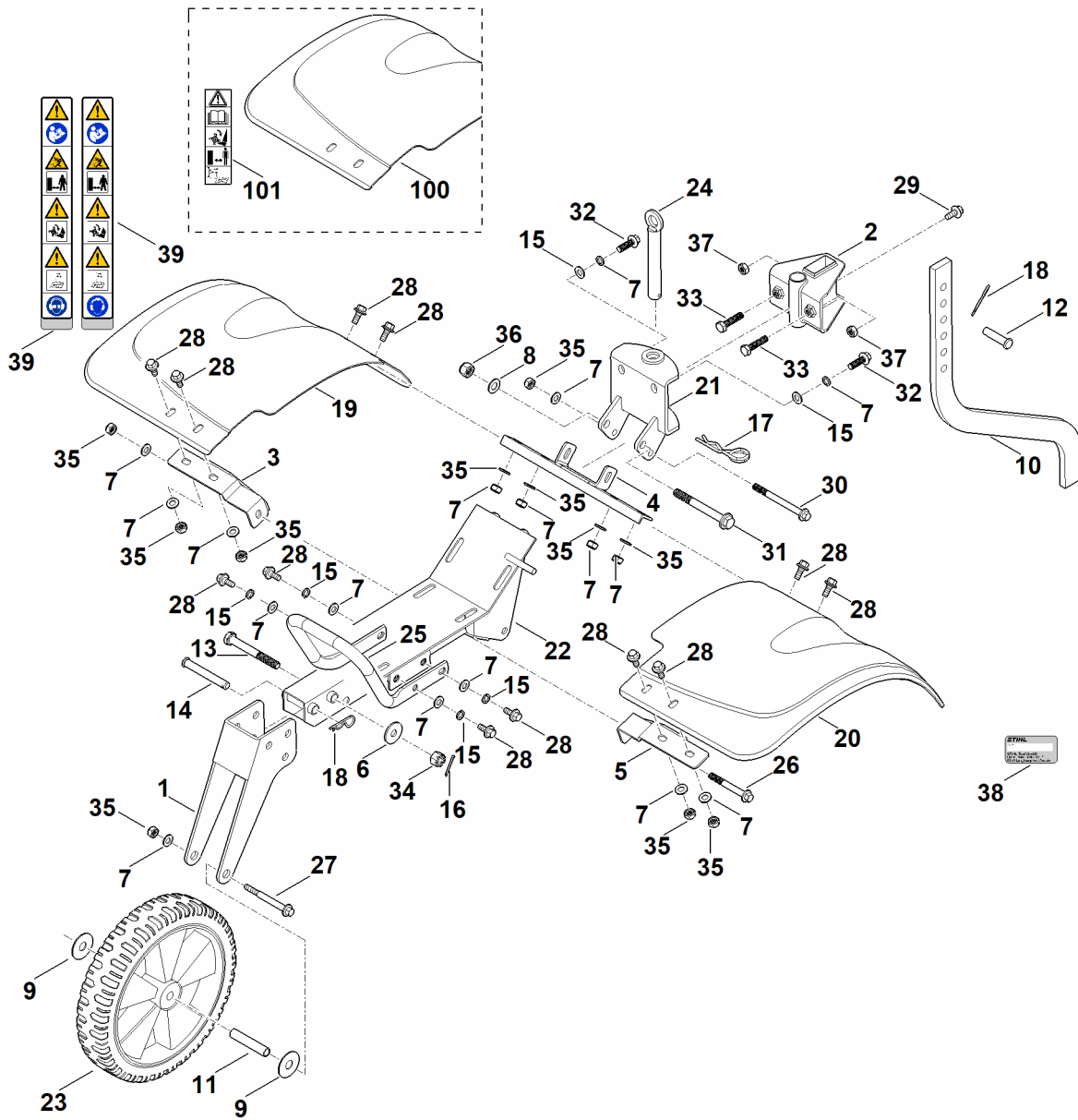
B - Engine



B - Engine

#	Part Number	Description	Quantity	Contains Item(s)	Remarks
1	6250 011 1805	4-stroke engine EHC 600.0 (EHC600-0004)	1		Read data on engine/motor, for spare parts see heading "Engines/motors"
1	6250 011 1800	4-stroke engine EHC 600.0 (EHC600-0001) Up to Serial Number: 999626147	1		Read data on engine/motor, for spare parts see heading "Engines/motors"
2	6251 710 4504	Holder (protective cover)	1	4	
3	6250 711 1100	Bracket (front cover)	1		
4	6250 711 8100	Grommet	2		
5	6250 716 0200	Washer	4		
6	6250 716 0202	Washer	2		
7	6250 080 0400	Cover	1	14	
8	6250 740 0100	Bracket (cover)	1	13	
9	6250 951 0800	Hexagon head screw	4		
10	6250 951 0813	Hexagon head screw M6x18	2		
11	6250 955 1100	Hexagon nut with clamping element M8	4		
12	6250 955 1101	Hexagon nut with clamping element M6	2		
13	6250 711 8100	Grommet	2		
14	6250 967 4406	Label	1		

C - Cover, Chassis



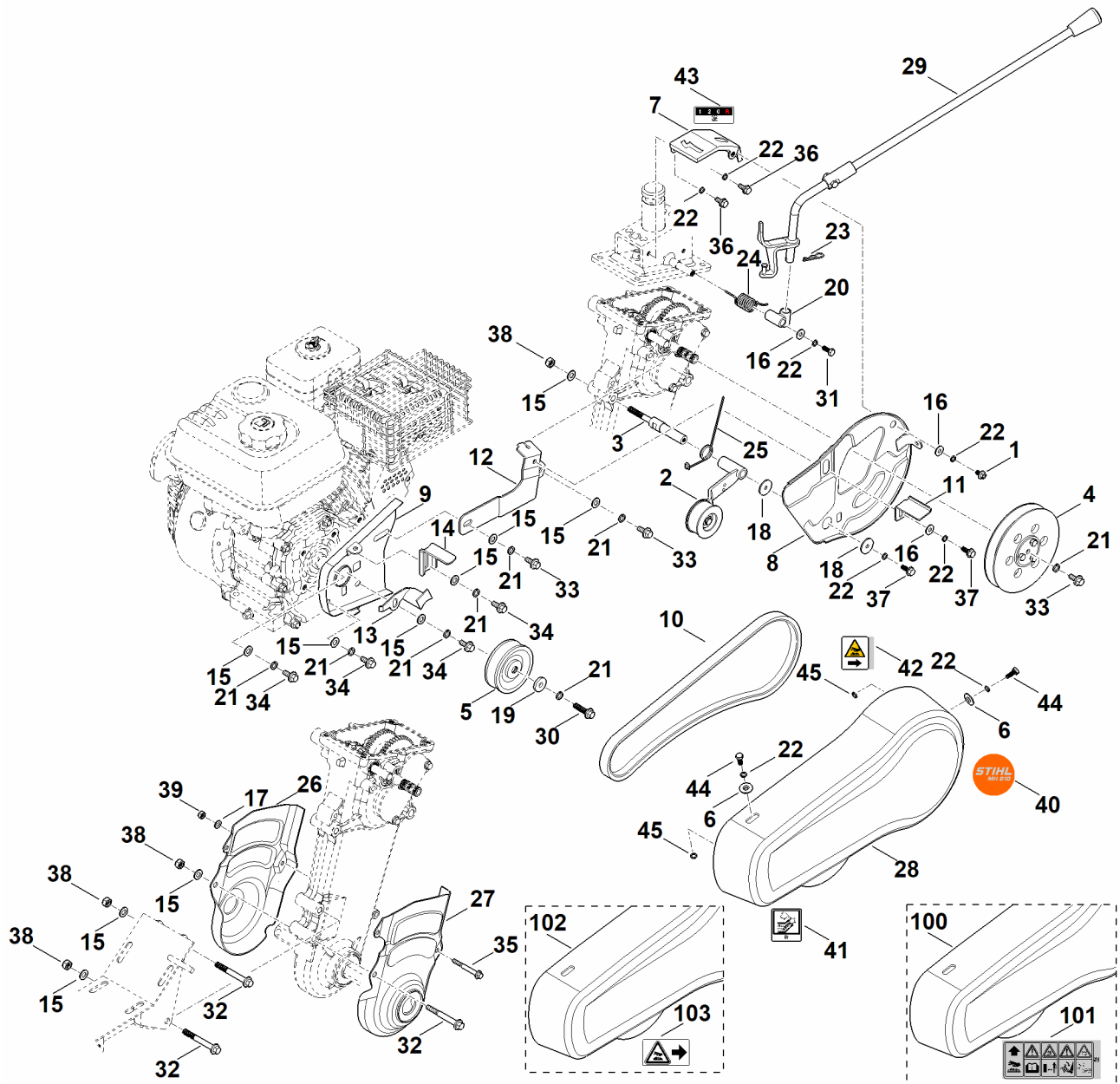
C - Cover, Chassis

#	Part Number	Description	Quantity	Contains Item(s)	Remarks
1	6250 710 2800	Fork for depth wheel	1		
2	6250 710 4500	Bracket (brake spur)	1		
3	6250 710 4501	Support	1		
4	6250 710 4502	Support	1		
5	6250 710 4503	Support	1		
6	6250 711 5800	Washer	1		
7	6250 716 0200	Washer	17		
8	6250 716 0204	Washer	1		
9	6250 716 0205	Washer	2		
10	6250 716 1400	Brake spur	1		
11	6250 716 1500	Sleeve	1		
12	6250 716 2001	Bolt	1		
13	6250 716 2002	Bolt	1		
14	6250 716 2003	Bolt	1		
15	6250 716 2700	Snap ring	6		
16	6250 716 3700	Pin	1		
17	6250 716 5001	Spring clip	1		
18	6250 716 5002	Spring clip	2		
19	6250 820 0205	Right protector strip	1	39	
20	6250 717 3501	Left protector strip	1		
21	6250 740 0201	Bracket (brake spur)	1		
22	6250 740 0202	Bracket (engine)	1		
23	6250 740 1400	Wheel	1		
24	6250 740 8500	Socket bolt	1		
25	6250 791 5700	Handle	1		
26	6250 951 0803	Hexagon head screw M8x65	1		
27	6250 951 0804	Hexagon head screw M8x75	1		

C - Cover, Chassis

#	Part Number	Description	Quantity	Contains Item(s)	Remarks
28	6250 951 0805	Hexagon head screw M8x20	12		
29	6250 951 0806	Hexagon head screw M8x16	1		
30	6250 951 0807	Hexagon head screw M8x90	1		
31	6250 951 0810	Hexagon head screw M10x90	1		
32	6250 951 0811	Hexagon head screw M8x25	2		
33	6250 951 0812	Hexagon head screw M8x35	2		
34	6250 955 0900	Nut M10	1		
35	6250 955 1100	Hexagon nut with clamping element M8	11		
36	6250 955 1103	Hexagon nut with clamping element M10	1		
37	6250 955 1104	Hexagon nut M8	2		
38	0000 967 3454	Warning sign with machine number	1		
38	6250 967 1800	Rating plate MH 610.0	1		
39	6250 967 4414	Label	1		
100	6250 820 0200	Right protector strip Up to Serial Number: 999626147	1	101	
101	6250 967 4407	Label Up to Serial Number: 999626147	1		

D - Drive



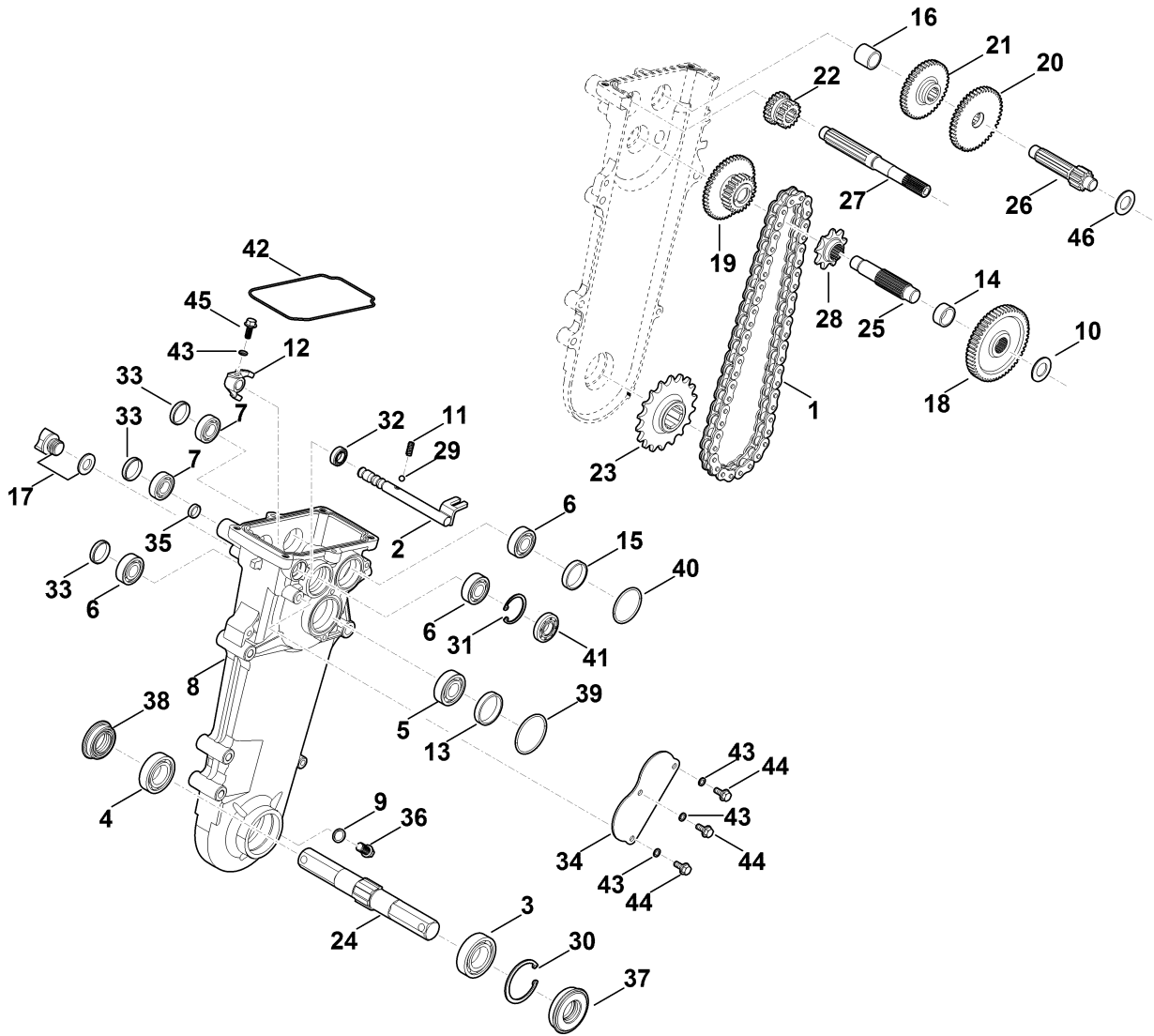
D - Drive

#	Part Number	Description	Quantity	Contains Item(s)	Remarks
1	6250 951 0814	Hexagon screw with flange M6x10	1		
2	6250 710 9200	Tension roller arm	1		
3	6250 711 1000	Shaft (tension shaft)	1		
4	6250 711 1200	V-belt pulley	1		
5	6250 711 1201	V-belt pulley	1		
6	6250 711 2400	Bushing	2		
7	6250 711 3600	Gear shifting gate	1	43	
8	6250 711 4100	Belt guard	1		
9	6250 711 4101	Belt guard	1		
10	6250 711 5000	V-belt	1		
11	6250 711 6301	Clamping arm	1		
12	6250 711 6302	Clamping arm	1		
13	6250 711 6303	Clamping arm	1		
14	6250 711 6304	Clamping arm	1		
15	6250 716 0200	Washer	10		
16	6250 716 0202	Washer	3		
17	6250 716 0203	Washer	1		
18	6250 716 0206	Washer	2		
19	6250 716 0207	Washer	1		
20	6250 716 2500	Support	1		
21	6250 716 2700	Snap ring	8		
22	6250 716 2701	Snap ring	8		
23	6250 716 5000	Spring clip	1		
24	6250 716 5601	Torsion spring	1		
25	6250 716 5602	Torsion spring	1		
26	6250 717 3601	Cover	1		
27	6250 717 3602	Cover left	1		

D - Drive

#	Part Number	Description	Quantity	Contains Item(s)	Remarks
28	6250 820 4001	Cover	1	42	
29	6250 740 3400	Switch lever assy.	1		
30	6250 951 0801	Hexagon head screw M8x30	1		
31	6250 951 0802	Hexagon head screw M6x16	1		
32	6250 951 0803	Hexagon head screw M8x65	3		
33	6250 951 0805	Hexagon head screw M8x20	3		
34	6250 951 0805	Hexagon head screw M8x20	4		
35	6250 951 0809	Hexagon head screw M6x50	1		
36	6250 951 9700	Hexagon screw with flange M6x14	2		
37	6250 951 9701	Hexagon screw with flange M6x16	2		
38	6250 955 1100	Hexagon nut with clamping element M8	4		
39	6250 955 1101	Hexagon nut with clamping element M6	1		
40	6250 967 1500	Model plate MH 610	1		
41	6250 967 4409	Label	1		
42	6250 967 4415	Label	1		
43	6250 967 4400	Label	1		
44	6250 951 0600	Hexagon head screw M6	2		
45	6251 641 2610	Washer	2		
100	6250 820 4000	Cover Up to Serial Number: 999608136	1	101	
101	6250 967 4412	Label Up to Serial Number: 999608136	1		
102	6250 820 4002	Cover Up to Serial Number: 999626147	1	103	
103	6250 967 4405	Label Up to Serial Number: 999626147	1		

E - Gear head



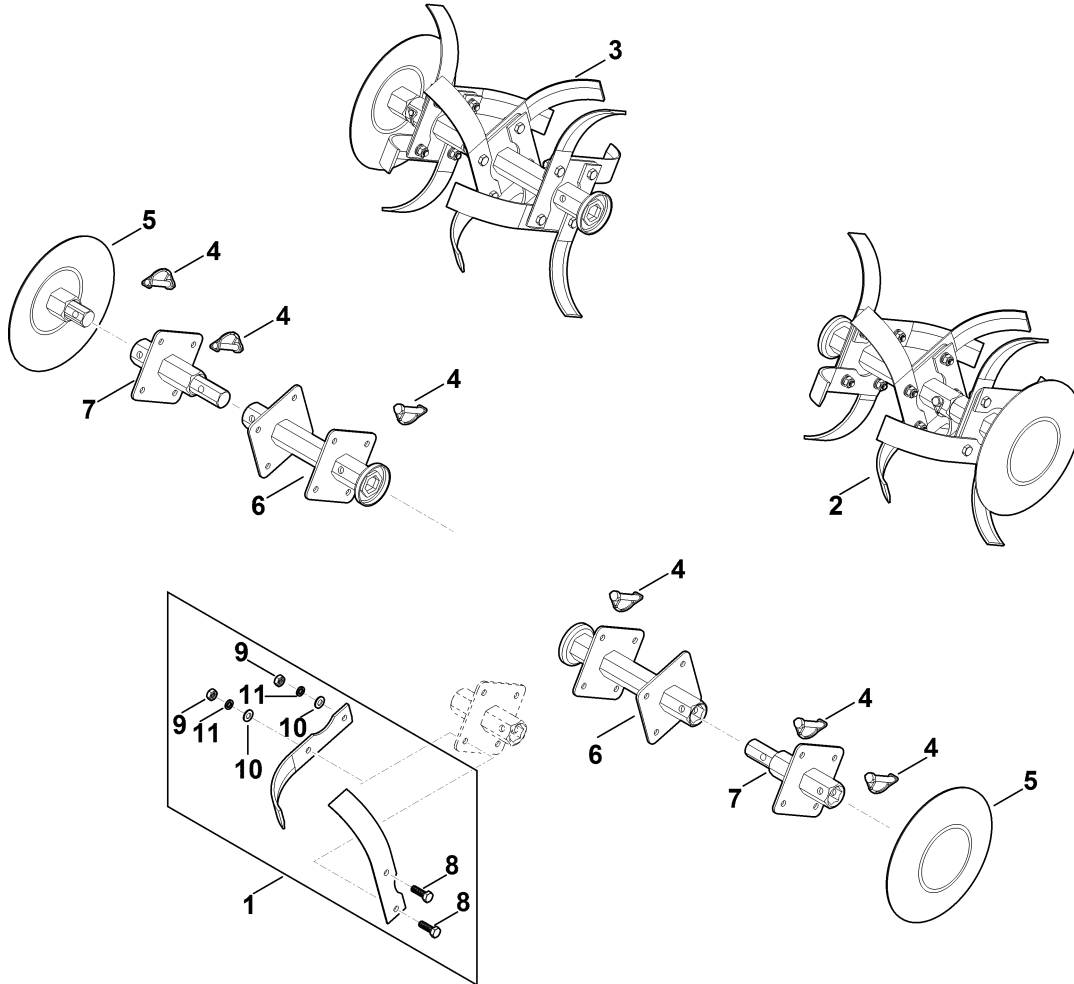
E - Gear head

#	Part Number	Description	Quantity	Contains Item(s)	Remarks
	6250 640 0100	Gear box	1	1-45	
	0004 007 1602	Set of gaskets (Gear box)	1	33,37-42	
1	6250 640 2100	Drive chain	1		
2	6250 640 2600	Shaft (control shaft)	1		
3	6250 640 5100	Grooved ball bearing	1		
4	6250 640 5101	Grooved ball bearing	1		
5	6250 640 5102	Grooved ball bearing	1		
6	6250 640 5103	Grooved ball bearing	3		
7	6250 640 5104	Grooved ball bearing	2		
8	6250 641 0300	Gear housing	1		
9	6250 641 2600	Washer	1		
10	6250 641 2601	Washer	1		
11	6250 641 3100	Spring	1		
12	6250 641 4100	Lever	1		
13	6250 641 4900	Sleeve	1		
14	6250 641 4901	Sleeve	1		
15	6250 641 4902	Sleeve	1		
16	6250 641 4903	Sleeve	1		
17	6250 641 6500	Plug screw	1		
18	6250 642 0100	Gear wheel (forward gear wheel)	1		
19	6250 642 0101	Gear wheel	1		
20	6250 642 0102	Gear wheel	1		
21	6250 642 0103	Gear wheel	1		
22	6250 642 0104	Gear wheel	1		
23	6250 642 1200	Spur sprocket	1		
24	6250 642 2200	Drive shaft	1		
25	6250 642 2201	Drive shaft	1		

E - Gear head

#	Part Number	Description	Quantity	Contains Item(s)	Remarks
26	6250 642 2600	Shaft	1		
27	6250 642 2601	Shaft	1		
28	6250 642 2900	Chain pinion	1		
29	6250 643 0300	Ball	1		
30	6250 643 1000	Circlip	1		
31	6250 643 1001	Circlip	1		
32	6250 643 1002	Circlip	1		
33	6250 643 1300	Cover	3		
34	6250 643 1301	Cover	1		
35	6250 643 1302	Cover	1		
36	6250 646 4800	Oil drain screw	1		
37	6250 647 5600	Sealing ring	1		
38	6250 649 0200	Sealing ring	1		
39	6250 649 0201	Seal ring (O-ring)	1		
40	6250 649 0202	O-ring	1		
41	6250 649 0203	Sealing ring	1		
42	6250 649 0204	Sealing ring	1		
43	6250 716 2701	Snap ring	4		
44	6250 951 9700	Hexagon screw with flange M6x14	3		
45	6250 951 9701	Hexagon screw with flange M6x16	1		
46	6250 641 2602	Washer	1		

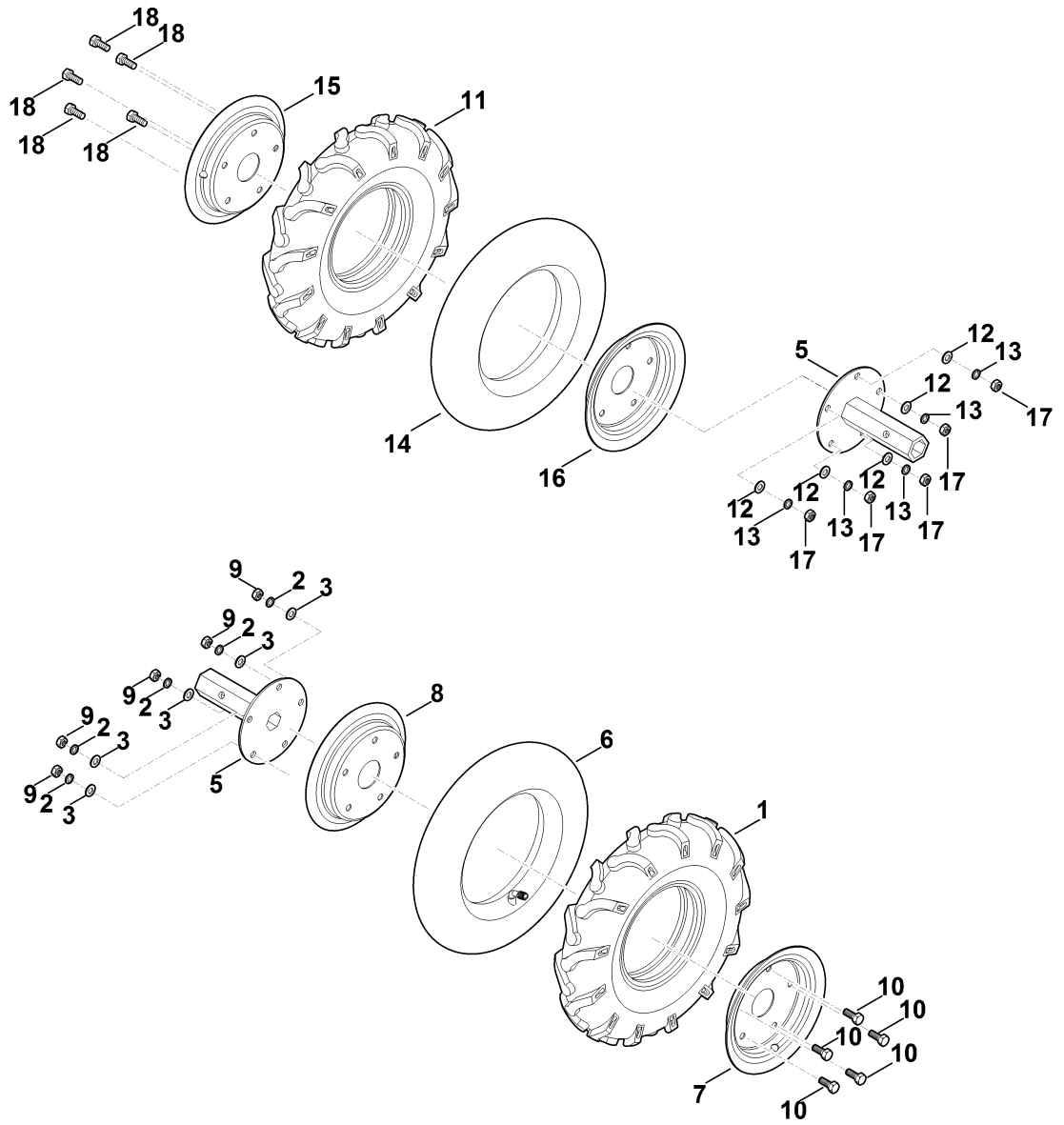
F - Hoe Assy.



F - Hoe assy.

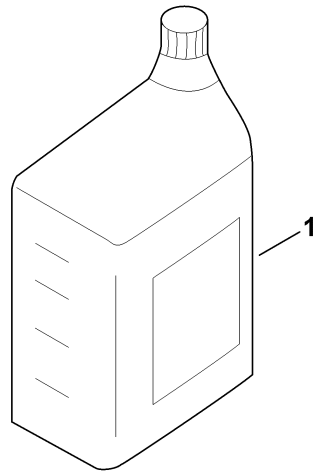
#	Part Number	Description	Quantity	Contains Item(s)	Remarks
1	6250 007 1800	Repair kit (blades)	12	8-11	One left and one right blade included
2	6250 710 0200	Hoe assy. left	1	1, 4-11	
3	6250 710 0201	Hoe assy. right	1	1, 4-11	
4	6250 716 4800	Linch pin	6		
5	6250 740 3900	Protection disk	2		
6	6250 740 7400	Axle	2		
7	6250 740 7401	Axle	2		
8	6250 951 0808	Hexagon head screw M8x25	24		
9	6250 955 1102	Hexagon nut M8	24		
10	6250 716 0200	Washer	24		
11	6250 716 2702	Snap ring	24		

G - Tyres



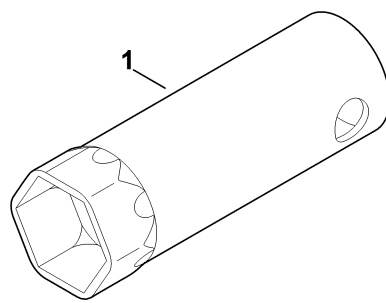
G - Tyres

#	Part Number	Description	Quantity	Contains Item(s)	Remarks
	6250 740 1402	Wheel, left	1	1-3,6-10	
	6250 740 1403	Wheel, right	1	11-18	
1	6250 711 8801	Tyre	1		
2	6250 716 0200	Washer	5		
3	6250 716 2700	Snap ring	5		
5	6250 740 7403	Axle	2		
6	6250 740 9902	Hose	1		
6	6250 740 9901	Hose Up to Serial Number: 999609013	1		
7	6250 744 2002	Rim (outer)	1		
8	6250 744 2003	Rim (inner)	1		
9	6250 955 1104	Hexagon nut M8	5		
10	6251 951 0806	Hexagon head screw	5		
11	6250 711 8801	Tyre	1		
12	6250 716 0200	Washer	5		
13	6250 716 2700	Snap ring	5		
14	6250 740 9902	Hose	1		
14	6250 740 9901	Hose Up to Serial Number: 999609013	1		
15	6250 744 2002	Rim (outer)	1		
16	6250 744 2003	Rim (inner)	1		
17	6250 955 1104	Hexagon nut M8	5		
18	6251 951 0806	Hexagon head screw	5		



H - Lubricants

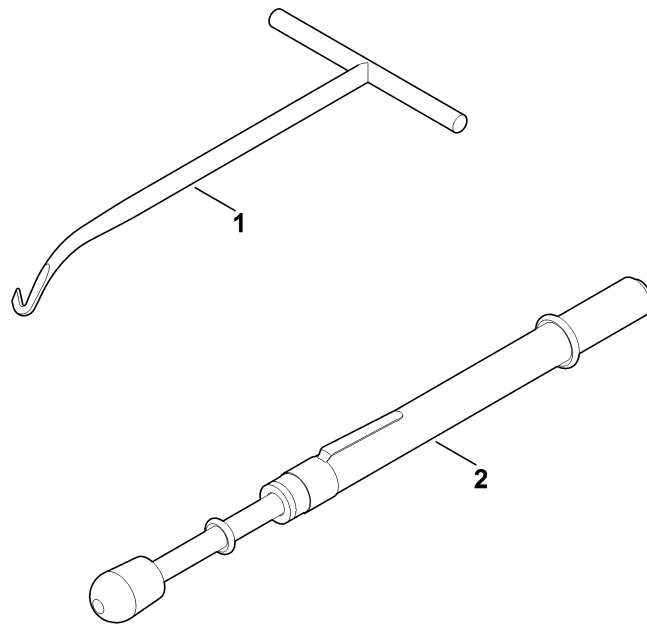
#	Part Number	Description	Quantity	Contains Item(s)	Remarks
1		Use an engine oil in the gearbox: SAE10W-30 or SAE30	1		



I - Tools

#	Part Number	Description	Quantity	Contains Item(s)	Remarks
1	0812 190 1005	Spark plug wrench	1		

J - Special tool



J - Special tool

#	Part Number	Description	Quantity	Contains Item(s)	Remarks
1	0000 890 2800	Installation hook	1		
2	0000 850 7000	V-belt tension tester	1		