

0CNP6-M07960EN

Contents

OCNP6-M07960

Fig. No. Fig. Name

Fig. No. Fig. Name

ENGINE

1. CYLINDER BLOCK
2. GEAR HOUSING
3. MOUNTING FLANGE & OIL SUMP
4. CYLINDER HEAD & BONNET
5. SUCTION MANIFOLD
6. EXHAUST MANIFOLD & SILENCER
7. CAMSHAFT & DRIVING GEAR
8. CRANKSHAFT & PISTON
9. BALANCER
10. LUB. OIL SYSTEM
11. COOLING WATER SYSTEM
12. FUEL INJECTION PUMP
13. GOVERNOR
14. FUEL INJECTION VALVE
15. FUEL PIPE
16. STARTER MOTOR
17. GENERATOR

Fig.1. CYLINDER BLOCK

(A)=4TNV94L-PITL

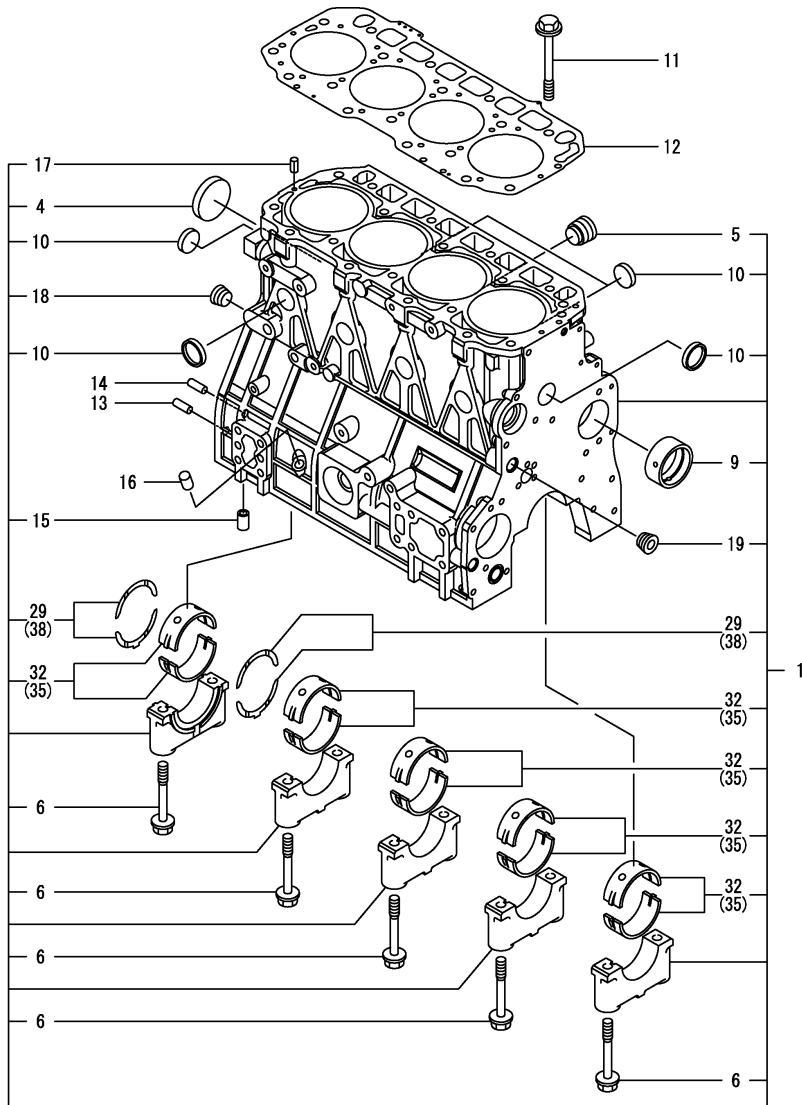
(B)=

(C)=

(D)=

(E)=

(F)=

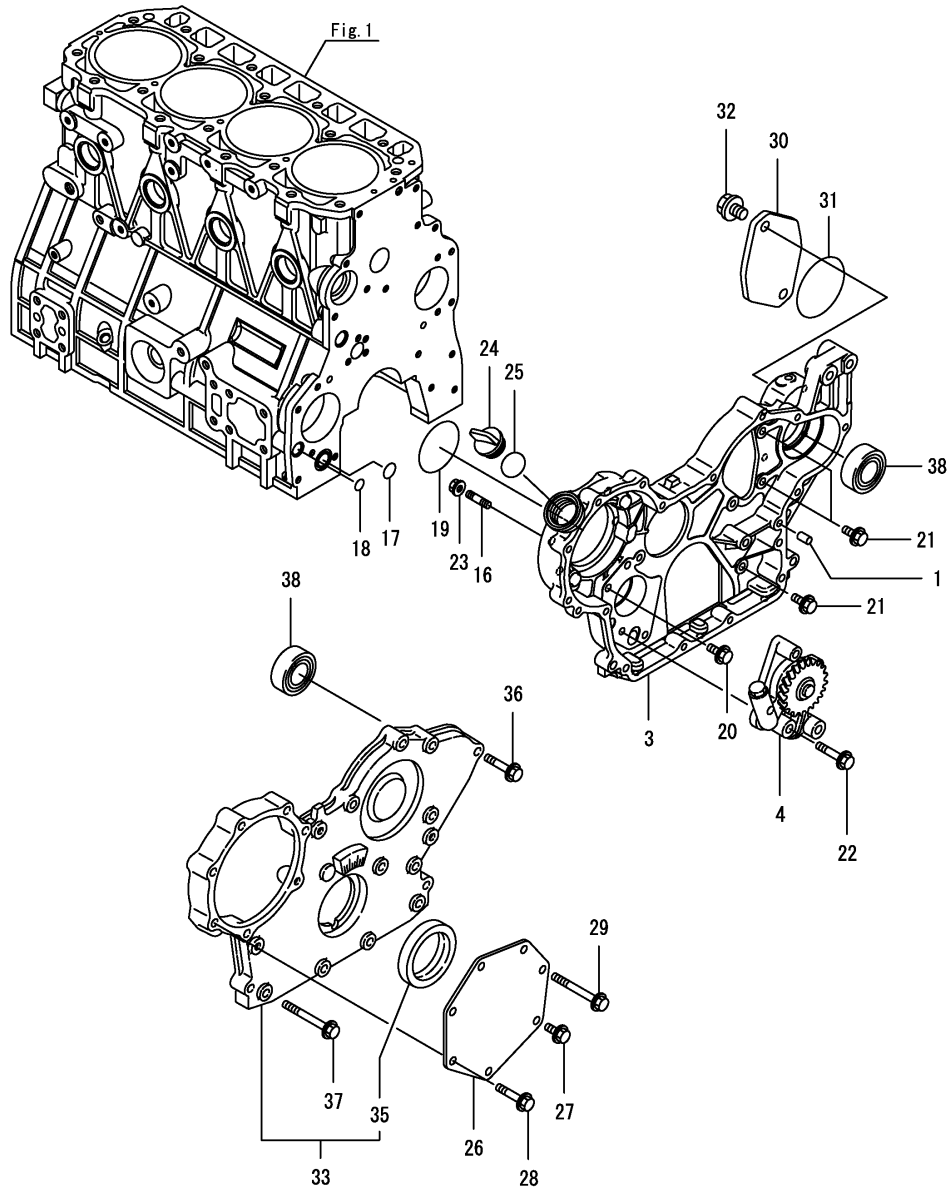


No.	Lev.	Parts No.	Description	Q'ty						I	R
				(A)	(B)	(C)	(D)	(E)	(F)		
1	1	729962-01560	BLOCK ASSY, CYLINDER	1							
4	2	129900-01250	PLUG, 55	1							
5	2	171051-01921	PLUG, NPTF1	1							
6	2	129900-02020	BOLT, METAL CAP	10							
9	2	129900-02410	BUSH, CAMSHAFT	1							
10	2	27241-300000	PLUG 30	8							
11	1	129900-01200	BOLT, CYLINDER HEAD	18							
12	1	129906-01350	GASKET, HEAD	1							
13	1	129100-01580	PIN, PARALLEL 8X16	2							
14	1	129100-01580	PIN, PARALLEL 8X16	2							
15	2	129956-01710	PIPE, KNOCK L=25	1							
16	1	119309-01810	PLUG	1							
17	2	22351-060012	PIN, SPRING 6.0X12	2							
18	2	23876-030000	PLUG, R03	1							
19	2	23876-030000	PLUG, R03	1							
29	2	129927-02930	BEARING ASSY, THRUST	2							
32	1	729927-02800	BEARING ASSY, MAIN	5							1
35	1	129927-02340	BEARING ASSY, MAIN US	5							2
38	1	129927-02940	BEARING, THRUST0.25OS	2							3

Remarks

- (1) Spare parts.
- (2) Under-sized (U.S.=0.25) parts.
- (3) Over-sized (O.S.=0.25) parts.

Fig.2. GEAR HOUSING

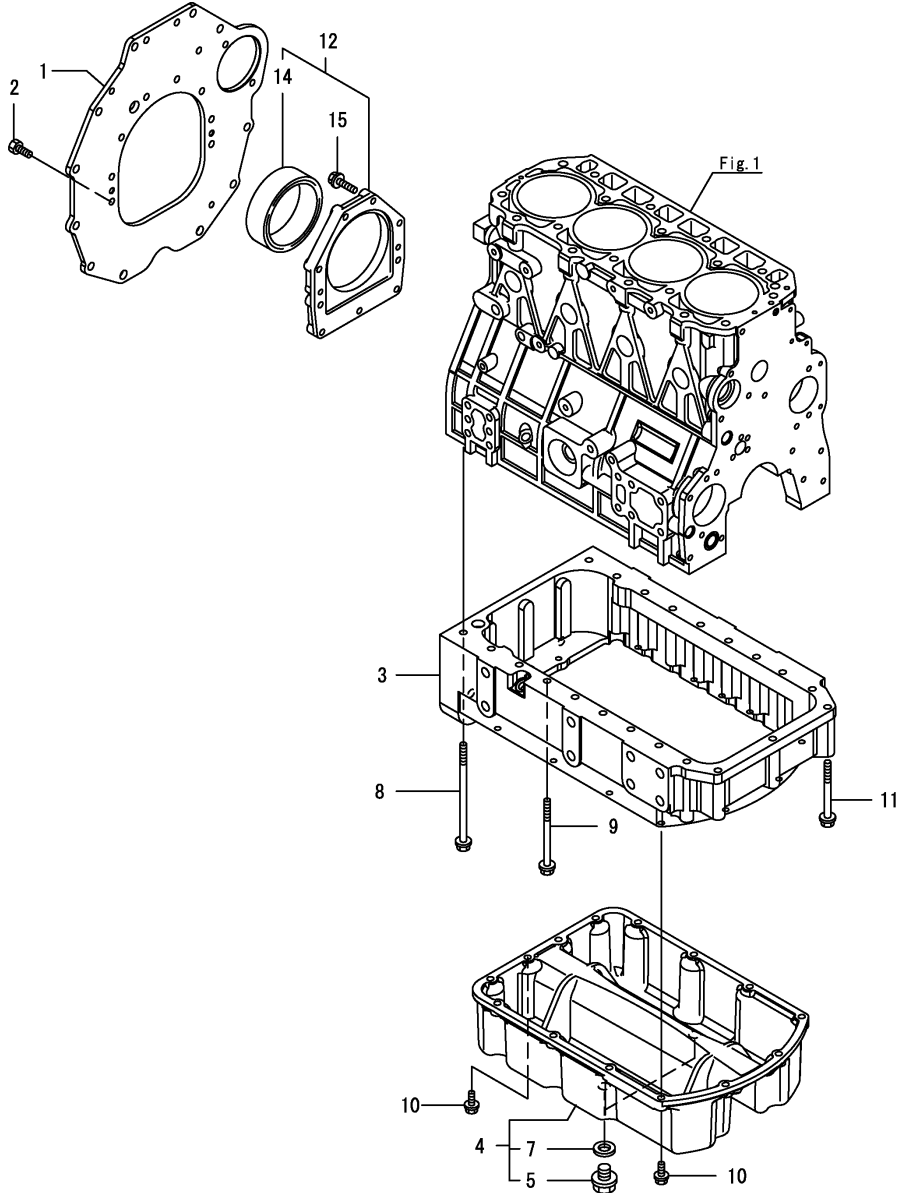


(A)=4TNV94L-PITL
(B)=
(C)=

(D)=
(E)=
(F)=

No.	Lev.	Parts No.	Description	Q'ty						I	R
				(A)	(B)	(C)	(D)	(E)	(F)		
1	1	129100-01580	PIN, PARALLEL 8X16	4							
3	1	129936-01500	CASE, GEAR	1							
4	1	129956-32001	PUMP ASSY, OIL	1							
16	1	26216-100302	STUD, M10X 30	4							
17	1	129900-32030	O-RING, P20	1							
18	1	129900-32040	O-RING, P14	1							
19	1	24351-030750	O-RING, 1A3075	1							
20	1	26106-080162	BOLT, M8X 16 PLATED	1							
21	1	26106-080202	BOLT, M8X 20 PLATED	3							
22	1	26106-080452	BOLT, M8X 45 PLATED	3							
23	1	26306-100002	NUT, M10	4							
24	1	124160-01751	CAP, FILLER	1							
25	1	24311-000320	O-RING, 1AP32.0	1							
26	1	129951-01740	COVER, PUMP TIMING	1							
27	1	26106-080202	BOLT, M8X 20 PLATED	1							
28	1	26106-080452	BOLT, M8X 45 PLATED	5							
29	1	26106-080752	BOLT, M8X 75 PLATED	1							
30	1	121023-26071	COVER, PUMP	1							
31	1	24321-000850	O-RING, 1AG85.0	1							
32	1	26106-100202	BOLT, M10X 20 PLATED	2							
33	1	729906-01550	COVER ASSY, CASE	1							
35	2	129916-01800	SEAL, OIL	1							
36	1	26106-080402	BOLT, M8X 40 PLATED	5							
37	1	26106-080702	BOLT, M8X 70 PLATED	6							
38	1	129900-26250	BEARING, BALL 6206C3	2							

Fig.3. MOUNTING FLANGE & OIL SUMP

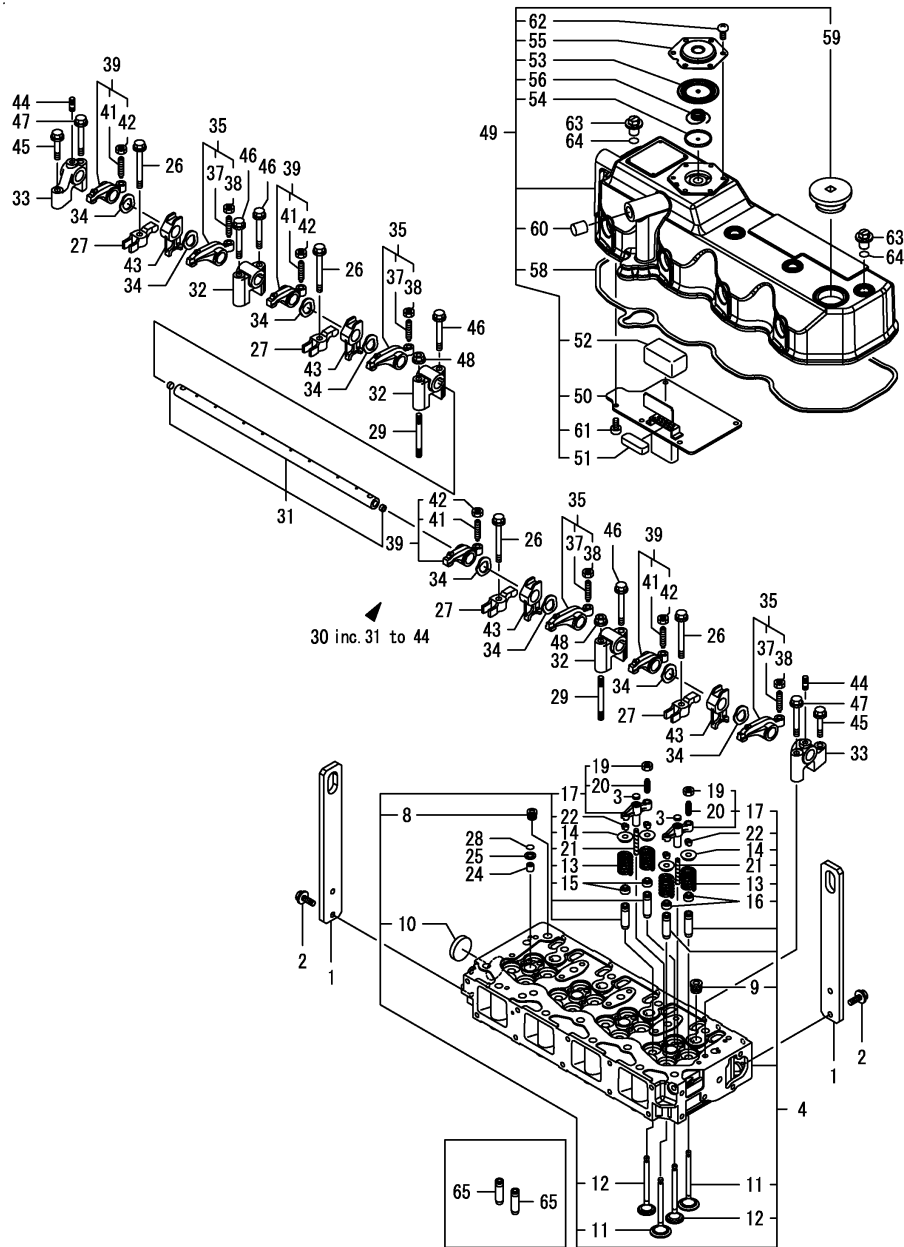


(A)=4TNV94L-PITL
(B)=
(C)=

(D)=
(E)=
(F)=

No.	Lev.	Parts No.	Description	Q'ty						I	R
				(A)	(B)	(C)	(D)	(E)	(F)		
1	1	129962-01610	FLANGE, MOUNTING	1							
2	1	26206-100202	BOLT, M10X 20 PLATED	9							
3	1	129956-01731	OIL PAN	1							
4	1	129962-01730	COVER ASSY,OIL PAN	1							
5	2	105425-01690	PLUG, DRAIN M16	2							
7	2	22190-160002	WASHER, SEAL 16	2							
8	1	129972-01731	BOLT, M8X150	2							
9	1	129693-44310	BOLT, COOLER	16							
10	1	26106-080252	BOLT, M8X 25 PLATED	14							
11	1	26106-080852	BOLT, M8X 85 PLATED	3							
12	1	129968-01640	CASE ASSY, OIL SEAL	1							
14	2	129916-01790	SEAL, D115/95XT11	1							
15	1	26106-080302	BOLT, M8X 30 PLATED	9							

Fig.4. CYLINDER HEAD & BONNET



(A)=4TNV94L-PITL
(B)=
(C)=

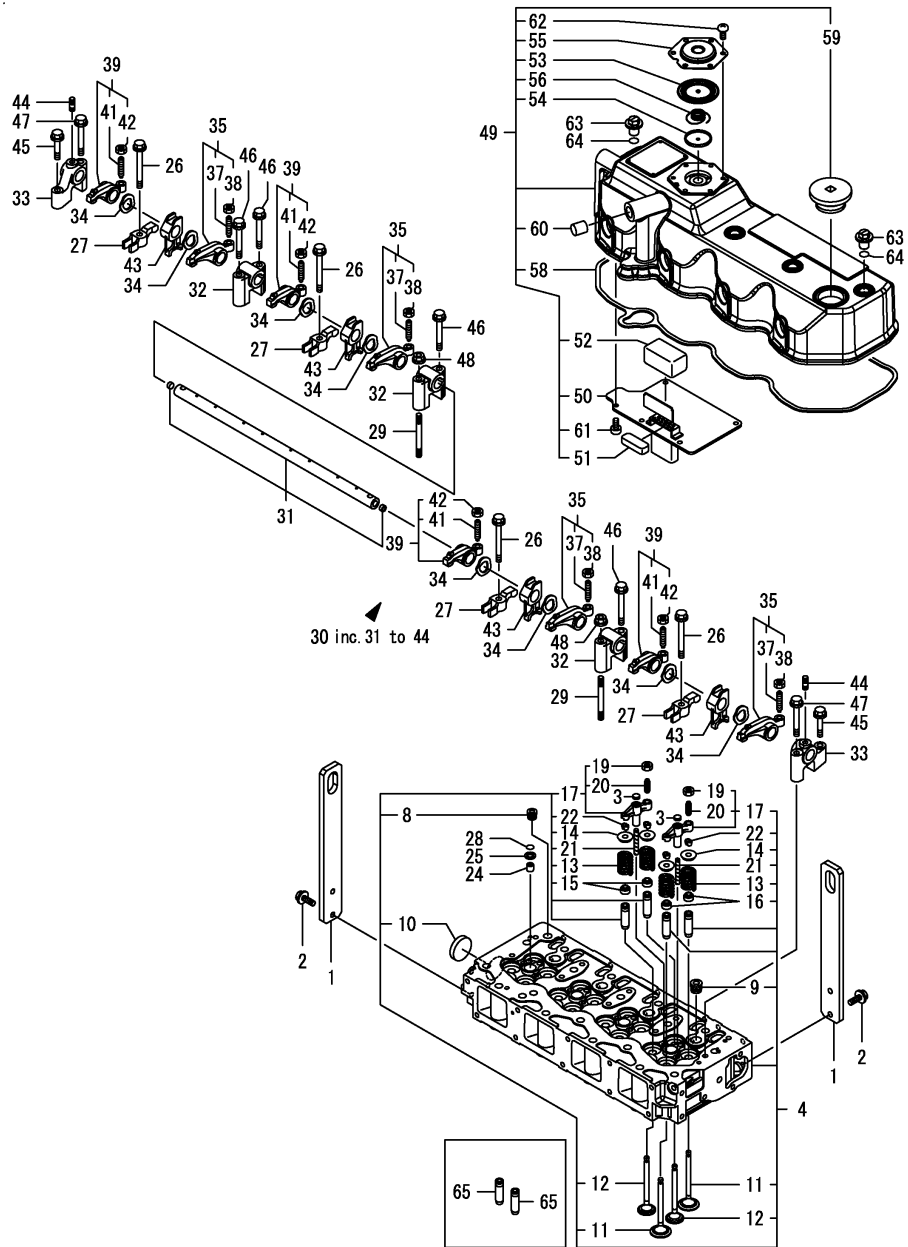
(D)=
(E)=
(F)=

No.	Lev.	Parts No.	Description	Q'ty						I	R
				(A)	(B)	(C)	(D)	(E)	(F)		
1	1	129973-07910	LIFTER	2							
2	1	26106-080202	BOLT, M8X 20 PLATED	4							
3	1	123907-11550	SEAT, VALVE BRIDGE	8							
4	1	129907-11700	HEAD ASSY, CYLINDER	1							
8	2	23876-020000	PLUG, R02	1							
9	2	23876-030000	PLUG, R03	4							
10	2	27241-400000	PLUG, 40	1							
11	2	129907-11100	VALVE, INTAKE	8							
12	2	129907-11110	VALVE, EXHAUST	8							
13	2	129907-11120	SPRING, VALVE	16							
14	2	119620-11180	RETAINER, SPRING	16							
15	2	119803-11340	SEAL, VALVE STEM	8							
16	2	124160-11340	SEAL, VALVE STEM	8							
17	2	129907-11510	BRIDGE ASSY, VALVE	8							
19	3	129150-11750	NUT, M8XP1.0	8							
20	3	123907-11830	ADJUSTER, BRIDGE	8							
21	2	123907-11820	GUIDE, BRIDGE	8							
22	2	27310-070001	COTTER, 7	16							
24	1	119802-11870	PROTECTOR, NOZZLE	4							
25	1	119625-11880	SEAT, NOZZLE	4							
26	1	129907-11950	BOLT, VALVE HOLDER	4							
27	1	129907-11960	RETAINER, NOZZLE	4							
28	1	24311-000120	O-RING, 1AP12.0	4							
29	1	119593-11301	STUD, M8X80	2							
30	1	129907-11341	SUPPORT ASSY, ROCKER	1							
31	2	129907-11250	SHAFT, ROCKER ARM	1							
32	2	129907-11260	SUPPORT, ROCKER A	3							
33	2	129907-11270	SUPPORT, ROCKER B	2							
34	2	123907-11280	WASHER, WAVE	8							
35	2	129907-11650	ARM ASSY, ROCKER INT	4							
37	3	129150-11230	SCREW, VALVE ADJUST	4							
38	3	129150-11750	NUT, M8XP1.0	4							
39	2	129907-11660	ARM ASSY, ROCKER EXH	4							
41	3	129150-11230	SCREW, VALVE ADJUST	4							
42	3	129150-11750	NUT, M8XP1.0	4							
43	2	129907-11920	RETAINER, NOZZLE	4							
44	2	26226-080222	STUD, M8X 22	2							
45	1	26106-080402	BOLT, M8X 40 PLATED	2							
46	1	26106-080602	BOLT, M8X 60 PLATED	4							
47	1	26106-080602	BOLT, M8X 60 PLATED	2							
48	1	26306-080002	NUT, M8	2							
49	1	129962-11300	BONNET ASSY	1							
50	2	129907-03011	PLATE, BAFFLE	1							
51	2	129907-03061	BAFFLE, BREATHER	1							
52	2	129907-03070	BAFFLE, BREATHER	1							
53	2	123907-03100	DIAPHRAGM, BREATHER	1							
54	2	123907-03110	PLATE, CENTER	1							
55	2	123907-03120	PLATE, BREATHER	1							
56	2	123907-03140	SPRING, DIAPHRAGM	1							
58	2	129933-11310	GASKET, BONNET	1							
59	2	119807-11770	PLUG, FILLER	1							

Remarks

(1) Spare parts.

Fig.4. CYLINDER HEAD & BONNET



(A)=4TNV94L-PITL
(B)=
(C)=

(D)=
(E)=
(F)=

No.	Lev.	Parts No.	Description	Q'ty						I	R
				(A)	(B)	(C)	(D)	(E)	(F)		
60	2	119640-61400	PLUG	1							
61	2	22857-500100	SCREW, 5X10	6							
62	2	22857-500100	SCREW, 5X10	6							
63	1	124160-11360	KNOB, BONNET	4							
64	1	24311-000120	O-RING, 1AP12.0	4							
65	1	129907-11800	GUIDE, VALVE	16							1

Remarks

(1) Spare parts.

N:Old $\xrightarrow{\text{Yes}}$ New, Q:Old $\xrightarrow{\text{No}}$ New, R:Old $\xrightarrow{\text{Yes}}$ New, S:Old $\xrightarrow{\text{No}}$ New, W:Add, Z:Discontinued, F:Interchangeable by set, K:Q'ty Change

Fig.5. SUCTION MANIFOLD

(A)=4TNV94L-PITL
(B)=
(C)=

(D)=
(E)=
(F)=

No.	Lev.	Parts No.	Description	Q'ty						I	R
				(A)	(B)	(C)	(D)	(E)	(F)		
1	1	129907-12100	MANIFOLD, INTAKE	1							
2	1	129907-12110	GASKET, MANIFOLD	1							
3	1	26106-080552	BOLT, M8X 55 PLATED	9							
4	1	26106-080852	BOLT, M8X 85 PLATED	1							
5	1	121850-77021	GASKET, AIR HEATER	1							
6	1	129962-77500	BEND, INTAKE H73	1							
7	1	26106-080252	BOLT, M8X 25 PLATED	2							
8	1	26106-081102	BOLT, M8X110 PLATED	2							

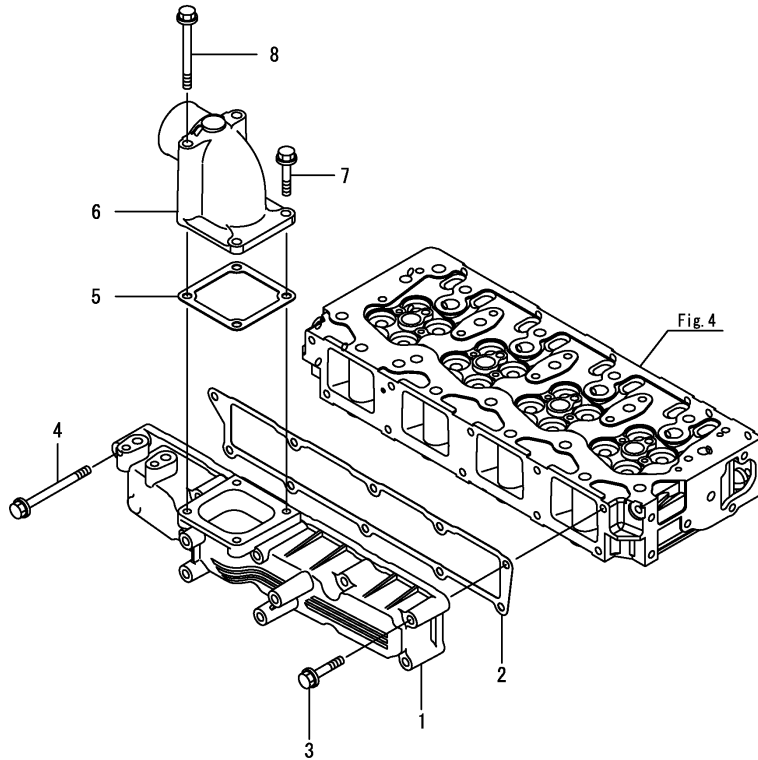
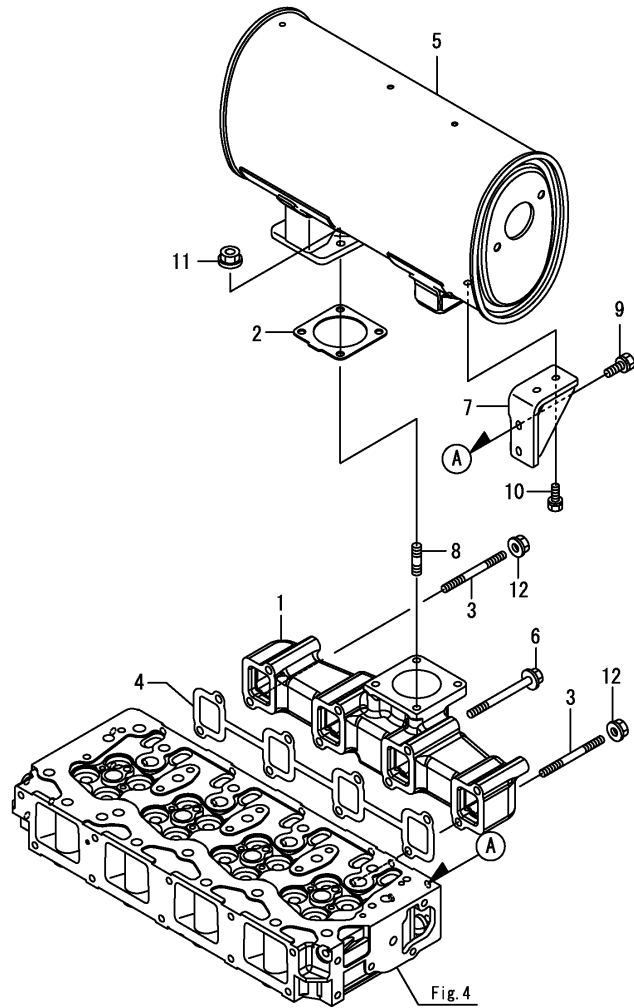


Fig.6. EXHAUST MANIFOLD & SILENCER



(A)=4TNV94L-PITL
(B)=
(C)=

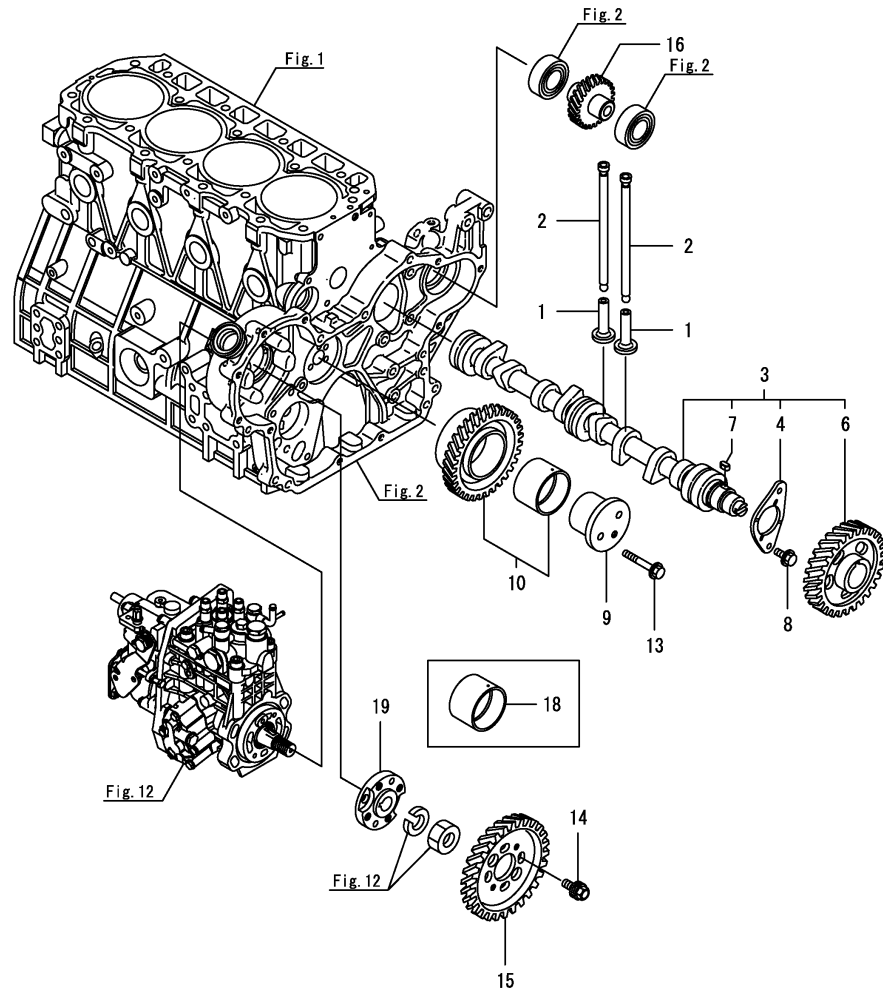
(D)=
(E)=
(F)=

No.	Lev.	Parts No.	Description	Q'ty						I	R
				(A)	(B)	(C)	(D)	(E)	(F)		
1	1	129900-13200	MANIFOLD, EXHAUST	1							
2	1	129930-13201	GASKET, SILENCER	1							
3	1	129263-13220	STUD, M8X95	2							
4	1	129900-13251	GASKET, MANIFOLD	1							
5	1	129968-13580	SILENCER	1							
6	1	129E00-13640	BOLT, M8X80 10.9T	6							
7	1	129968-13691	STAY, SILENCER	1							
8	1	119131-18320	STUD, M8X22	4							
9	1	26014-080222	BOLT, M8X 22	2							
10	1	26014-080252	BOLT, M8X 25	2							
11	1	26306-080002	NUT, M8	4							
12	1	26306-080002	NUT, M8	2							

Fig.7. CAMSHAFT & DRIVING GEAR

(A)=4TNV94L-PITL
(B)=
(C)=

(D)=
(E)=
(F)=



No.	Lev.	Parts No.	Description	Q'ty						I	R
				(A)	(B)	(C)	(D)	(E)	(F)		
1	1	129150-14200	TAPPET	8							
2	1	129907-14400	ROD, PUSH	8							
3	1	129908-14590	CAMSHAFT ASSY	1							
4	2	129150-02450	METAL, THRUST	1							
6	2	129900-14110	GEAR, CAMSHAFT	1							
7	2	22512-070140	KEY, 7X 14	1							
8	1	26106-080142	BOLT, M8X 14 PLATED	2							
9	1	123900-25060	SHAFT, IDLE GEAR	1							
10	1	129927-25110	GEAR ASSY, IDLE	1							
13	1	26106-080552	BOLT, M8X 55 PLATED	3							
14	1	129953-25300	BOLT, PUMP BODY	4							
15	1	129907-25900	GEAR, PUMP	1							
16	1	129900-26020	GEAR ASSY, PUMP	1							
18	1	129927-25920	BUSH, IDLE GEAR	1							1
19	1	158563-51150	FLANGE	1							

Remarks

(1) Spare parts.

N:Old $\xrightarrow{\text{Yes}}$ New, Q:Old $\xrightarrow{\text{No}}$ New, R:Old $\xrightarrow{\text{Yes}}$ New, S:Old $\xrightarrow{\text{No}}$ New, W:Add, Z:Discontinued, F:Interchangeable by set, K:Q'ty Change

Fig.8. CRANKSHAFT & PISTON

(A)=4TNV94L-PITL

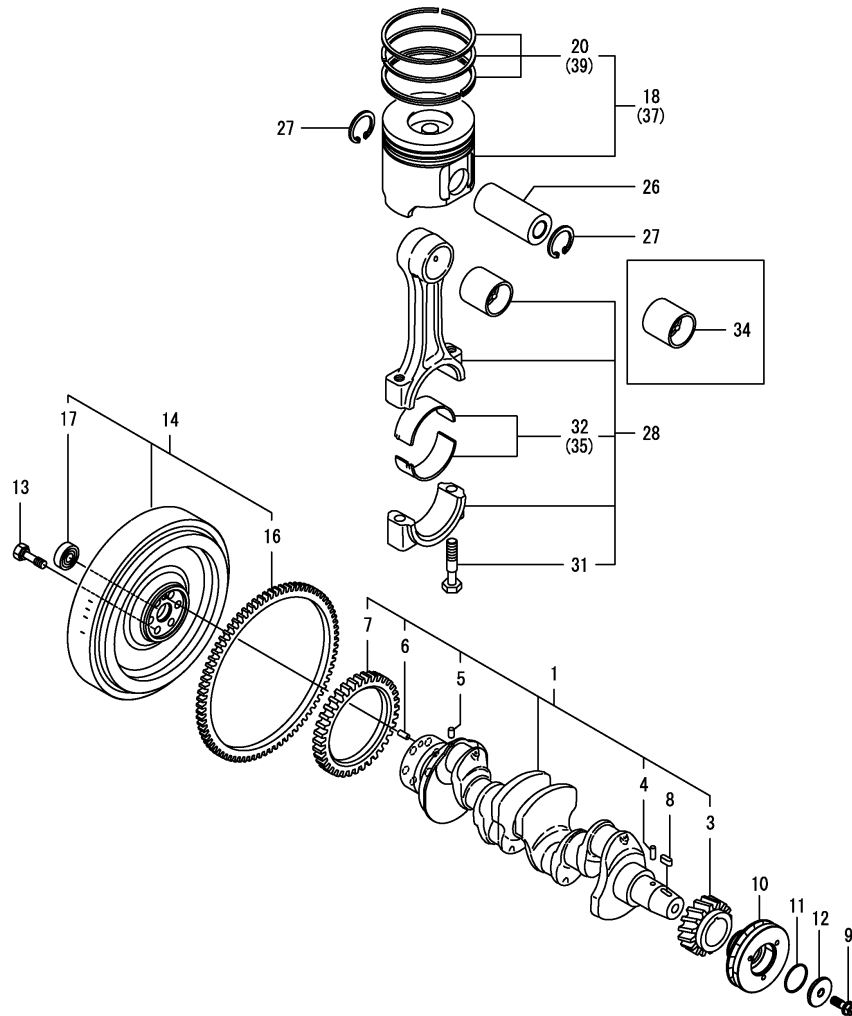
(B)=

(C)=

(D)=

(E)=

(F)=



No.	Lev.	Parts No.	Description	Q'ty						I	R
				(A)	(B)	(C)	(D)	(E)	(F)		
1	1	129942-21000	CRANKSHAFT ASSY	1							
3	2	129900-21220	GEAR, CRANKSHAFT	1							
4	2	121850-21290	PIN, CRANK GEAR	1							
5	2	121850-21290	PIN, CRANK GEAR	1							
6	2	121850-21920	PIN, PARALLEL 10X22	1							
7	2	129956-28321	GEAR, BALANCER DRIVE	1							
8	1	22512-070140	KEY, 7X 14	1							
9	1	129916-21610	BOLT, V-PULLEY	1							
10	1	129907-21650	V-PULLEY, CRANKSHAFT	1							
11	1	129960-21930	GASKET, WASHER	1							
12	1	129960-21940	WASHER, V-PULLEY	1							
13	1	121850-21130	BOLT, FLYWHEEL	6							
14	1	129962-21500	FLYWHEEL ASSY	1							
16	2	129968-21620	GEAR, RING	1							
17	2	121820-21690	BEARING, 6203DDUC4	1							
18	1	129962-22090	PISTON ASSY	4							
20	2	129906-22050	RING SET, PISTON	4							
26	1	120130-22301	PIN, PISTON	4							
27	1	22252-000300	RING, 30	8							
28	1	129900-23001	ROD ASSY, CONNECTING	4							
31	2	129900-23200	BOLT, CONNECTING ROD	8							
32	2	129927-23600	BEARING ASSY, PIN	4							
34	1	129900-23911	METAL, PISTON PIN	4							1
35	1	129927-23610	BEARING ASSY, PIN US	4							2
37	1	729928-22900	PISTON ASSY, 0.25 OS	4							3
39	2	729927-22950	RING SET, PISTON .25	4							3

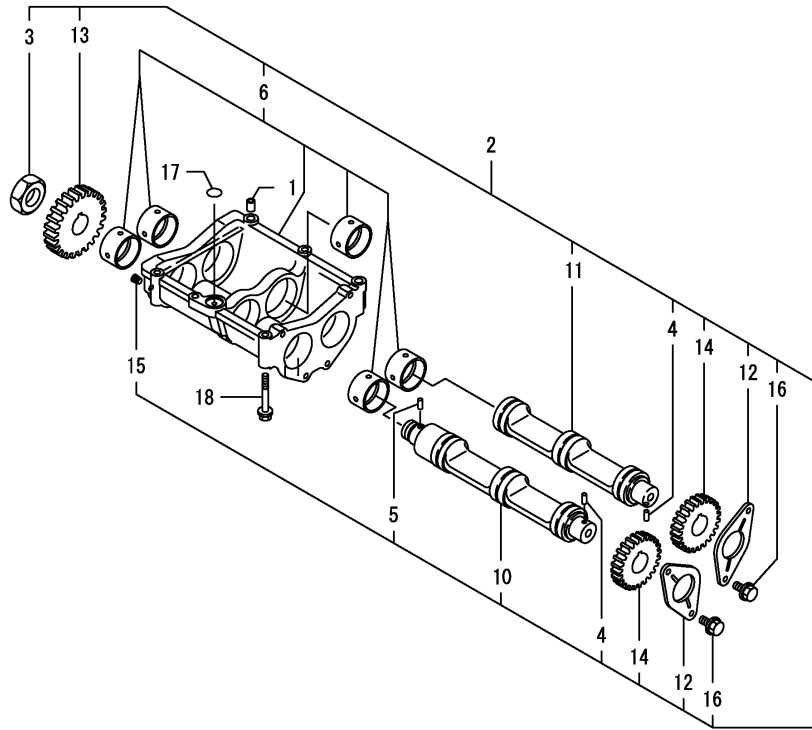
Remarks

- (1) Spare parts.
- (2) Under-sized (U.S.=0.25) parts.
- (3) Over-sized (O.S.=0.25) parts.

Fig.9. BALANCER

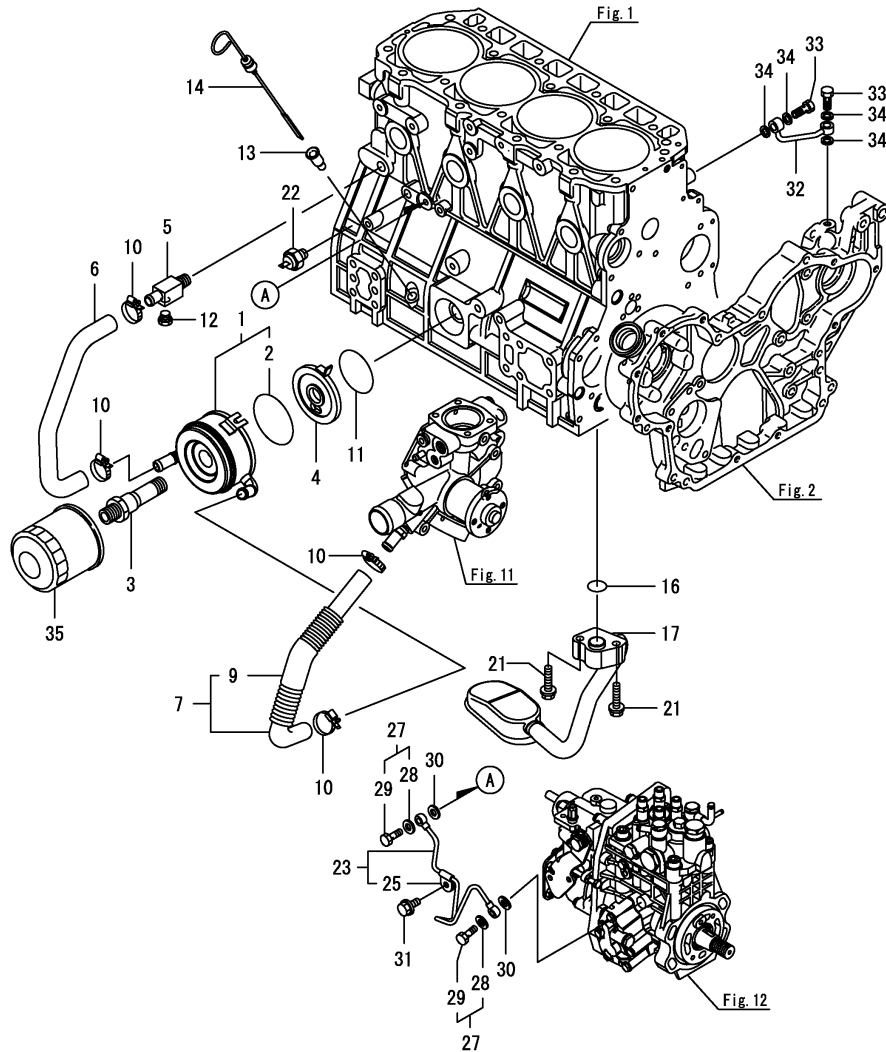
(A)=4TNV94L-PITL
(B)=
(C)=

(D)=
(E)=
(F)=



No.	Lev.	Parts No.	Description	Q'ty						I	R
				(A)	(B)	(C)	(D)	(E)	(F)		
1	1	129795-01960	PIPE, KNOCK 11X12	2							
2	1	129956-28009	BALANCER ASSY	1							
3	2	128610-14120	NUT, END	1							
4	2	121850-21290	PIN, CRANK GEAR	2							
5	2	121850-21290	PIN, CRANK GEAR	1							
6	2	129956-28019	CASE ASSY, BALANCER	1							
10	2	129956-28101	SHAFT, BALANCER A	1							
11	2	129956-28111	SHAFT, BALANCER B	1							
12	2	129956-28180	PLATE, THRUST	2							
13	2	129956-28332	GEAR, BALANCER DRIVE	1							
14	2	129956-28341	GEAR, BALANCER	2							
15	2	23876-005000	PLUG, R005	1							
16	2	26106-080142	BOLT, M8X 14 PLATED	4							
17	1	24311-000200	O-RING, 1AP20.0	1							
18	1	26106-080602	BOLT, M8X 60 PLATED	6							

Fig.10. LUB. OIL SYSTEM



(A)=4TNV94L-PITL

(B)=

(C)=

(D)=

(E)=

(F)=

No.	Lev.	Parts No.	Description	Q'ty						I	R
				(A)	(B)	(C)	(D)	(E)	(F)		
1	1	129908-33010	COOLER ASSY, OIL	1							
2	2	123912-33050	O-RING	1							
3	1	123912-33100	BOLT, COOLER	1							
4	1	129908-33101	BRACKET, COOLER	1							
5	1	129006-44480	JOINT, R02	1							
6	1	129908-49060	HOSE, WATER	1							
7	1	123910-49600	HOSE ASSY, WATER	1							
9	2	123910-49610	TUBE, CORRUGATED	1							
10	1	23000-025000	CLAMP, 25	4							
11	1	24321-000600	O-RING, 1AG60.0	1							
12	1	171056-49120	PLUG, DRAIN R1/4	1							
13	1	119860-34810	GUIDE, DIPSTICK	1							
14	1	129962-34810	DIPSTICK, LUB.OIL	1							
16	1	129900-32030	O-RING, P20	1							
17	1	129962-35330	PIPE ASSY, LO INLET	1							
21	1	26106-080352	BOLT, M8X 35 PLATED	2							
22	1	119761-39450	SWITCH, HYDRAULIC	1							
23	1	129907-39061	PIPE ASSY, OIL	1							
25	2	123907-39500	RETAINER, PIPE	1							
27	1	129005-59830	BOLT ASSY, JOINT M8	2							
28	2	22190-080002	WASHER, SEAL 8	2							
29	2	23857-030000	BOLT, JOINT 3	2							
30	1	22190-080002	WASHER, SEAL 8	2							
31	1	26106-080122	BOLT, M8X 12 PLATED	1							
32	1	129930-39050	PIPE, HO PUMP	1							
33	1	105010-39140	BOLT, PIPE JOINT M8	2							
34	1	22190-080002	WASHER, SEAL 8	4							
35	1	119005-35170	FILTER, OIL D80X100	1							1

Remarks

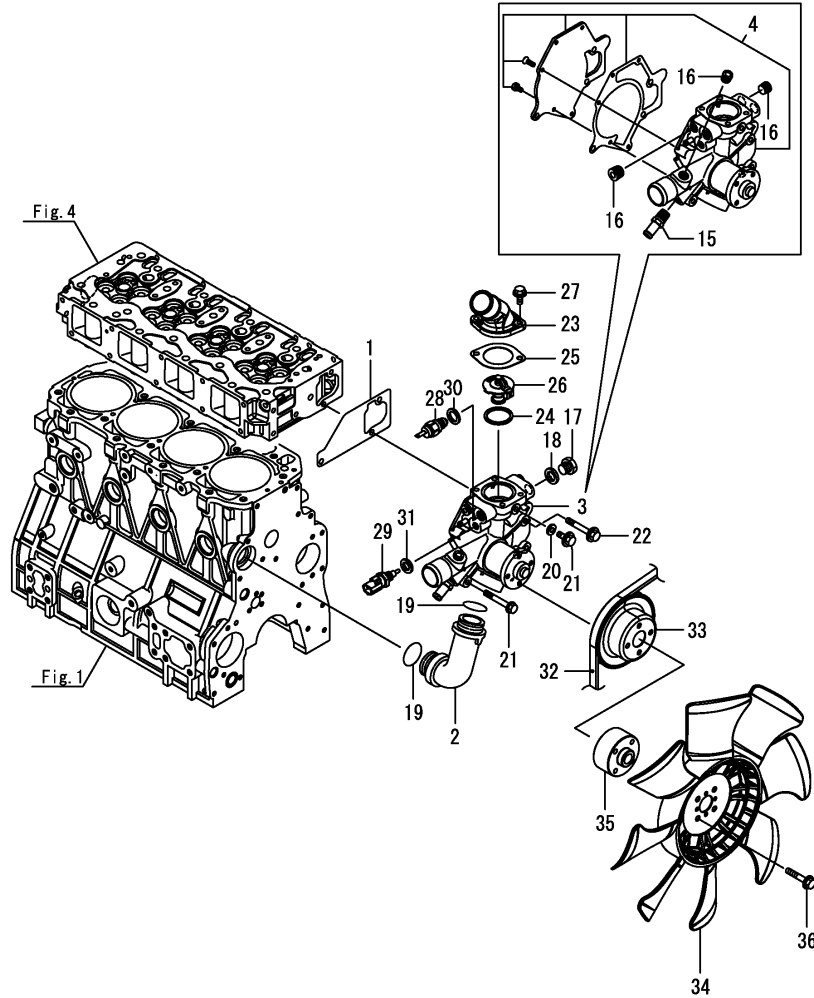
(1) Spare parts.

N:Old $\begin{matrix} \leftarrow \text{Yes} \\ \text{No} \end{matrix}$ New, Q:Old $\begin{matrix} \leftarrow \text{No} \\ \text{Yes} \end{matrix}$ New, R:Old $\begin{matrix} \leftarrow \text{Yes} \\ \text{Yes} \end{matrix}$ New, S:Old $\begin{matrix} \leftarrow \text{No} \\ \text{No} \end{matrix}$ New, W:Add, Z:Discontinued, F:Interchangeable by set, K:Q'ty Change

Fig.11. COOLING WATER SYSTEM

(A)=4TNV94L-PITL
(B)=
(C)=

(D)=
(E)=
(F)=

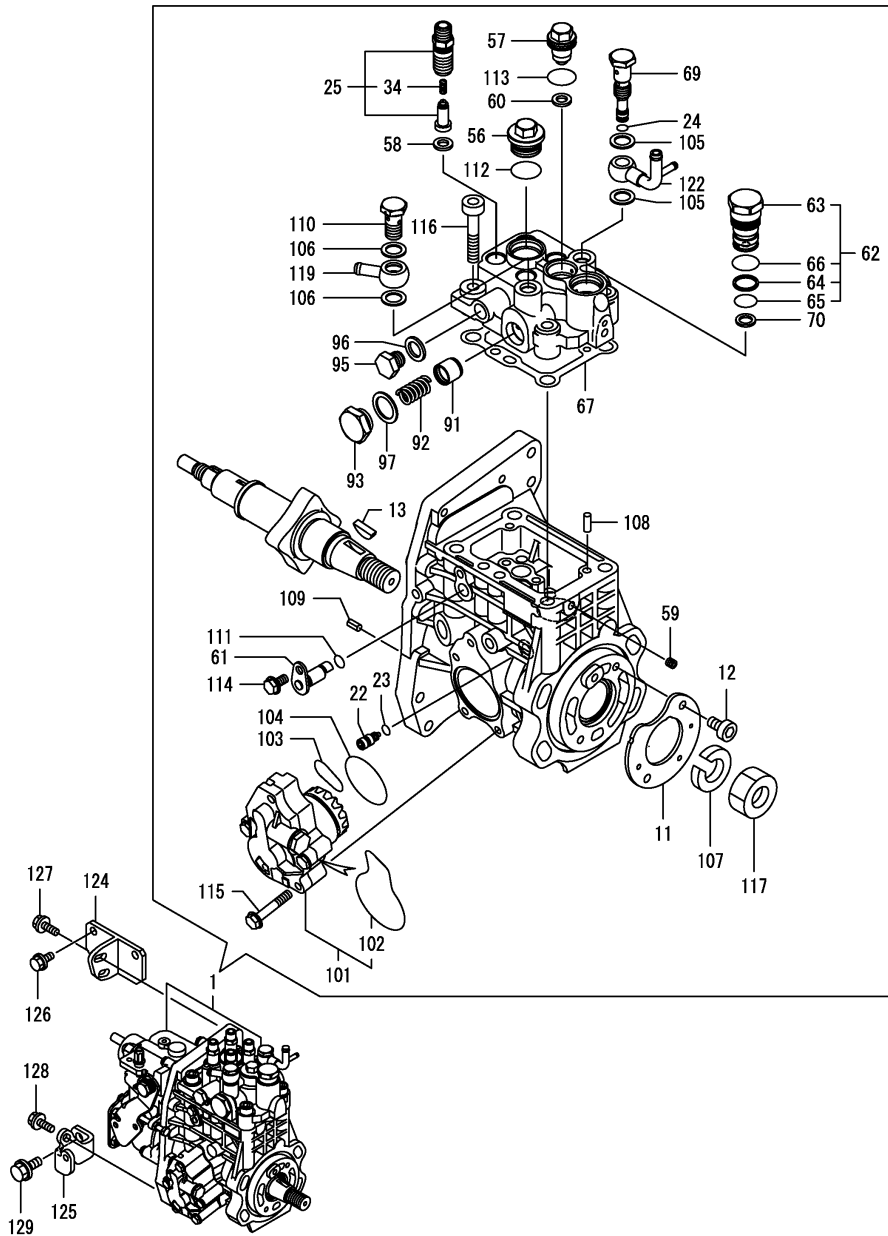


No.	Lev.	Parts No.	Description	Q'ty						I	R
				(A)	(B)	(C)	(D)	(E)	(F)		
1	1	129900-42061	GASKET, WATER PUMP	1							
2	1	129900-42070	PIPE, WATER PUMP	1							
3	1	129962-42110	PUMP ASSY, CW HIGH	1							
4	2	129E00-42100	PUMP ASSY, WATER	1							
15	2	129963-49300	JOINT, D14	1							
16	2	129916-49740	PLUG, R3/8	3							
17	1	121450-42450	PLUG, M16	1							
18	1	124465-44950	GASKET, 16	1							
19	1	129900-42140	O-RING, P36	2							
20	1	23414-080000	GASKET, 8X1.0	1							
21	1	26106-080122	BOLT, M8X 12 PLATED	1							
22	1	26106-080552	BOLT, M8X 55 PLATED	3							
23	1	129E26-49500	COVER, THERMOSTAT	1							
24	1	121850-49550	GASKET, THERMOSTAT	1							
25	1	129900-49560	GASKET, COVER	1							
26	1	121850-49811	THERMOSTAT, 71C	1							
27	1	26106-080222	BOLT, M8X 22 PLATED	2							
28	1	119761-44901	SWITCH, TEMPERATURE	1							
29	1	129927-44900	SENSOR, TEMPERATURE	1							
30	1	124465-44950	GASKET, 16	1							
31	1	22190-120002	WASHER, SEAL 12	1							
32	1	129671-42280	V-BELT, A45.5	1							
33	1	129930-42450	V-PULLEY, PUMP	1							
34	1	119130-44740	FAN, COOLING D=410	1							
35	1	119005-44761	SPACER, FAN	1							
36	1	26106-080452	BOLT, M8X 45 PLATED	4							

Fig.12. FUEL INJECTION PUMP

(A)=4TNV94L-PITL
(B)=
(C)=

(D)=
(E)=
(F)=



No.	Lev.	Parts No.	Description	Q'ty						I	R
				(A)	(B)	(C)	(D)	(E)	(F)		
1	1	729962-51340	FIE ASSY	1							1
11	2	129928-51900	COVER, OIL	1							
12	2	129008-51920	BOLT, M6X10	2							
13	2	144626-51090	KEY, FEATHER 5X19	1							
22	2	158600-51270	STOPPER, TAPPET	1							
23	2	158563-51281	O-RING, 4D S6	1							
24	2	158563-51281	O-RING, 4D S6	1							
25	2	129509-51390	VALVE ASSY, DELIVERY	4							
34	3	158563-51330	SPRING, DELIVERY	4							
56	2	158601-51550	PLUG, M22	1							
57	2	129907-51560	PLUG, M16	1							
58	2	158552-51571	GASKET, BARREL PLUG	4							
59	2	158557-51570	PLUG, RACK	1							
60	2	129906-51580	GASKET, BARREL PLUG	1							
61	2	158552-51580	LIFTER, LINK	1							
62	2	129271-51590	PLUG SET, TIMER	1							
63	3	129271-51600	PLUG, TIMER	1							
64	3	119802-51680	RING, BACKUP	1							
65	3	119802-51690	O-RING, 1016	1							
66	3	24356-190200	O-RING, 4D19020	1							
67	2	158560-51600	GASKET, HEAD	1							
69	2	158601-51650	JOINT, OVERFLOW	1							
70	2	158553-51680	GASKET, TIMER	1							
91	2	158601-51770	PISTON, ACCUMLATOR	1							
92	2	158552-51781	SPRING, ACCUMULATOR	1							
93	2	158601-51790	PLUG, ACCUMULATOR	1							
95	2	158553-51930	PLUG, M12	1							
96	2	22190-120002	WASHER, SEAL 12	1							
97	2	22190-180002	WASHER, SEAL 18	1							
101	2	158552-52100	PUMP ASSY, FUEL FEED	1							
102	3	158552-52500	O-RING, PUMP INNER	1							
103	2	158552-52311	O-RING, FEED PUMP	1							
104	2	158552-52400	O-RING, 4E S42	1							
105	2	22190-120002	WASHER, SEAL 12	2							
106	2	22190-120002	WASHER, SEAL 12	2							
107	2	22217-180000	WASHER, SPRING 18	1							
108	2	22312-050140	PIN, PARALLEL 5X14	2							
109	2	22351-050010	PIN, SPRING 5.0X10	2							
110	2	23857-060000	BOLT, JOINT 6	1							
111	2	24311-000070	O-RING, 1AP7.0	1							
112	2	24356-190200	O-RING, 4D19020	1							
113	2	24356-240210	O-RING, 4D24021	1							
114	2	26106-060102	BOLT, M6X 10 PLATED	1							
115	2	26106-060352	BOLT, M6X 35 PLATED	4							
116	2	26450-100452	BOLT, M10X 45	4							
117	2	26776-180002	NUT, LOCK M18	1							
119	2	129916-59020	JOINT, PIPE 12	1							
122	2	158552-51670	JOINT, OVERFLOW	1							
124	1	129907-01950	RETAINER, PUMP UPPER	1							
125	1	129907-01960	RETAINER, PUMP LOWER	1							
126	1	26106-080162	BOLT, M8X 16 PLATED	2							

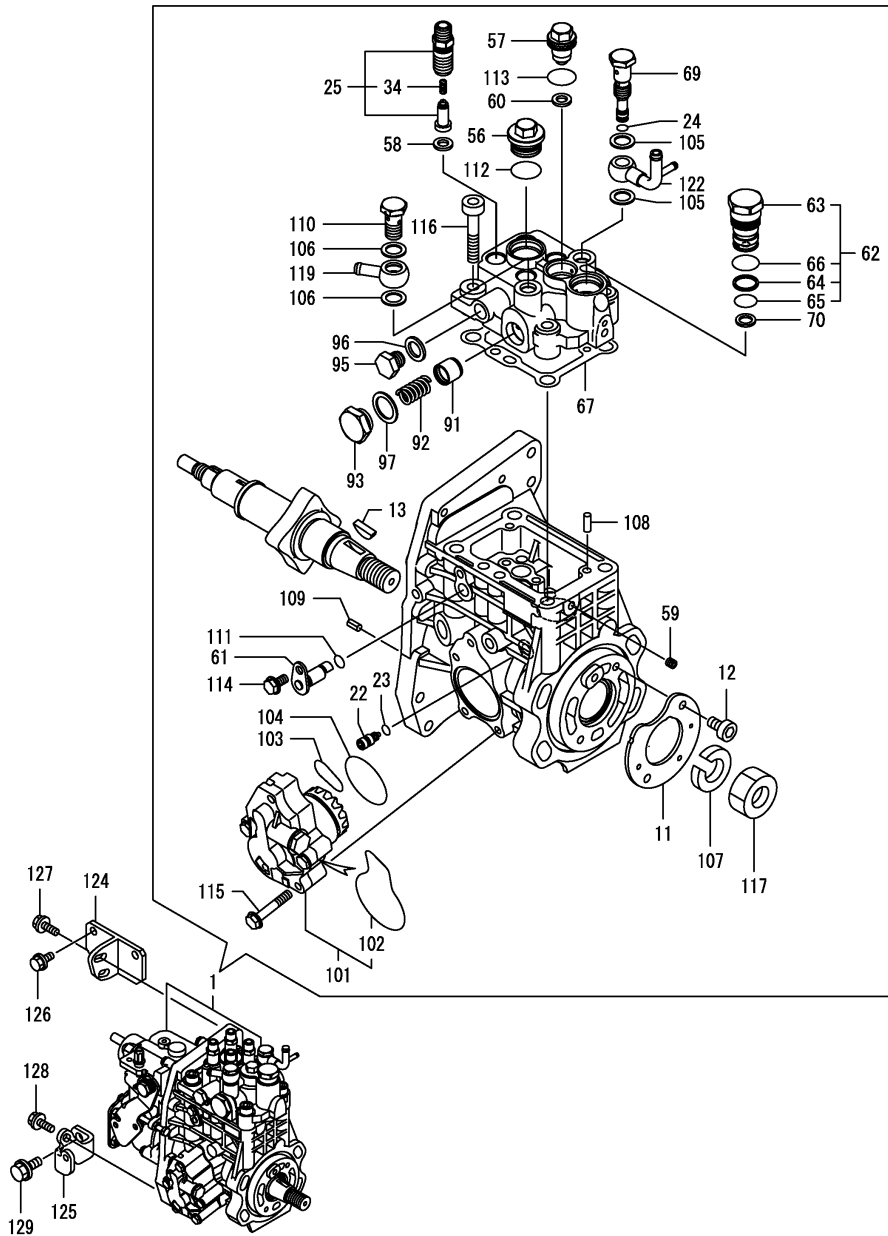
Remarks

(1)Governor(Fig.13) is incorporated in this Fuel Injection Pump(No.1).

Fig.12. FUEL INJECTION PUMP

(A)=4TNV94L-PITL
(B)=
(C)=

(D)=
(E)=
(F)=



No.	Lev.	Parts No.	Description	Q'ty						I	R
				(A)	(B)	(C)	(D)	(E)	(F)		
127	1	26106-080222	BOLT, M8X 22 PLATED	2							
128	1	26106-080222	BOLT, M8X 22 PLATED	1							
129	1	26106-100202	BOLT, M10X 20 PLATED	1							

Remarks

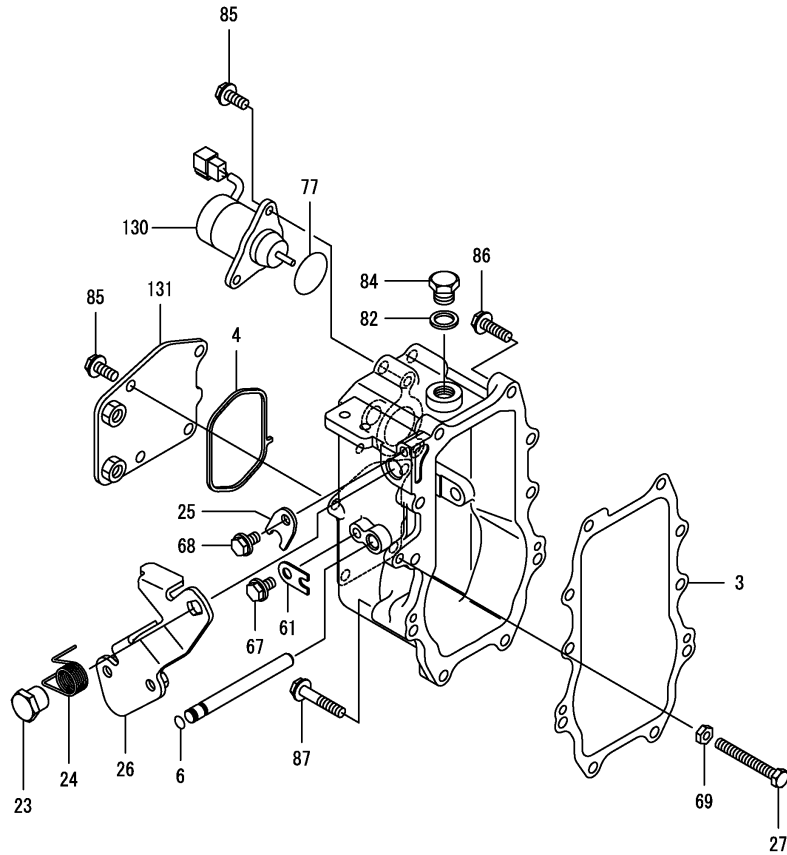
(1)Governor(Fig.13) is incorporated in this Fuel Injection Pump(No.1).

N:Old $\xrightarrow{\text{Yes}}$ New, Q:Old $\xrightarrow{\text{No}}$ New, R:Old $\xrightarrow{\text{Yes}}$ New, S:Old $\xrightarrow{\text{No}}$ New, W:Add, Z:Discontinued, F:Interchangeable by set, K:Q'ty Change

Fig.13. GOVERNOR

(A)=4TNV94L-PITL
(B)=
(C)=

(D)=
(E)=
(F)=



No.	Lev.	Parts No.	Description	Q'ty						I	R
				(A)	(B)	(C)	(D)	(E)	(F)		
3	2	158560-61050	GASKET, CASE	1							
4	2	158560-61071	GASKET, CASE	1							
6	2	129155-51280	O-RING, S6	1							
23	2	129255-61410	NUT, CONTROL LEVER	1							
24	2	119807-61420	SPRING, RETURN	1							
25	2	158560-61430	STOPPER, SHAFT	1							
26	2	129963-61440	LEVER, REGULATOR	1							
27	2	129155-61461	BOLT, IDLE LIMIT	1							
61	2	119660-61901	STOPPER, SHAFT	1							
67	2	26106-060102	BOLT, M6X 10 PLATED	1							
68	2	26106-060102	BOLT, M6X 10 PLATED	1							
69	2	119740-61470	NUT	1							
77	2	158552-61900	O-RING	1							
82	2	22190-160002	WASHER, SEAL 16	1							
84	2	23887-160002	PLUG, 16	1							
85	2	26106-060122	BOLT, M6X 12 PLATED	6							
86	2	26106-060252	BOLT, M6X 25 PLATED	8							
87	2	26106-060402	BOLT, M6X 40 PLATED	2							
130	2	129630-77900	SOLENOID, STOP	1							
131	2	123945-61060	COVER, GOVERNOR CASE	1							

Remarks

* This figure(Governor) is incorporated in the Fuel Injection Pump(Fig.12).

Fig.14. FUEL INJECTION VALVE

(A)=4TNV94L-PITL

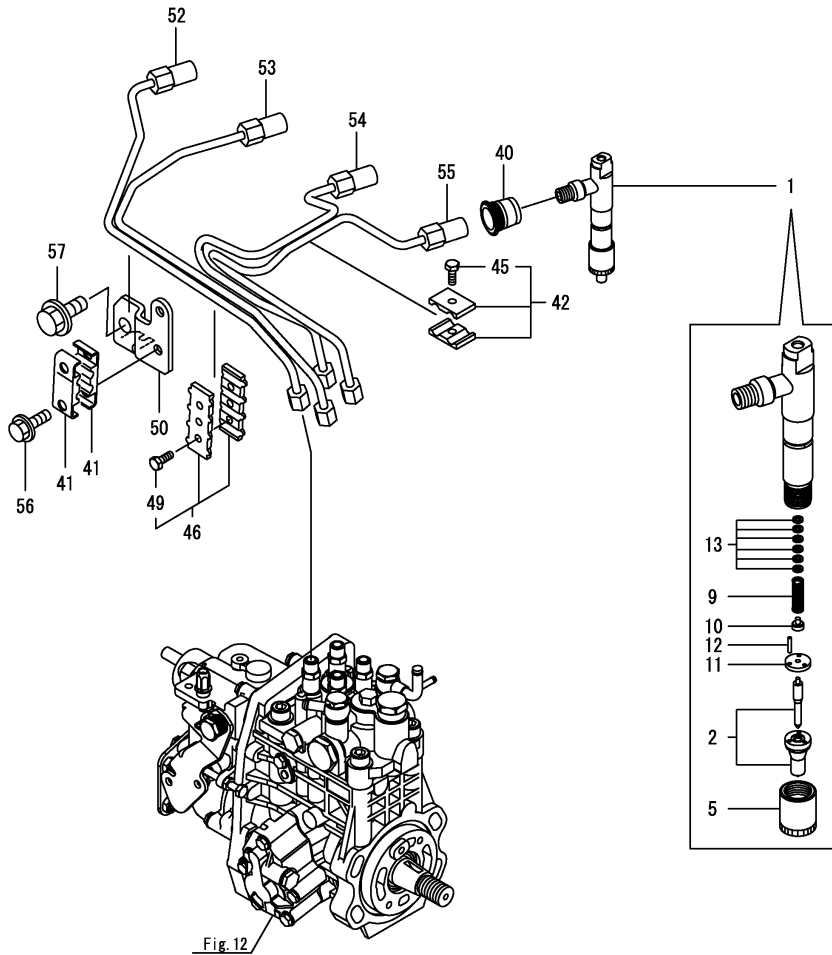
(B)=

(C)=

(D)=

(E)=

(F)=



No.	Lev.	Parts No.	Description	Q'ty						I	R
				(A)	(B)	(C)	(D)	(E)	(F)		
1	1	729906-53100	VALVE ASSY,INJECTION	4							
2	2	129906-53000	VALVE ASSY,INJECTION	4							
5	2	114250-53080	NUT, NOZZLE	4							
9	2	114250-53120	SPRING, NOZZLE	4							
10	2	114250-53130	SEAT, SPRING	4							
11	2	114250-53140	SPACER, VALVE STOP	4							
12	2	114250-53210	PIN, POSITIONING	8							
13	2	119803-53400	SHIM SET	4							1
40	1	123907-11601	SEAL, PIPE	4							
41	1	122780-59100	RETAINER, PIPE	2							
42	1	119305-59120	RETAINER, PIPE	1							
45	2	129150-59131	BOLT, M4X14	1							
46	1	129550-59120	RETAINER, PIPE	1							
49	2	129150-59131	BOLT, M4X14	2							
50	1	129972-59710	SUPPORT, PIPE CLAMP	1							
52	1	129907-59810	PIPE ASSY, INJECTION	1							
53	1	129907-59820	PIPE ASSY, INJECTION	1							
54	1	129907-59830	PIPE ASSY, INJECTION	1							
55	1	129907-59840	PIPE ASSY, INJECTION	1							
56	1	26106-060162	BOLT, M6X 16 PLATED	2							
57	1	26106-080182	BOLT, M8X 18 PLATED	1							

Remarks

(1) Spare parts.

N:Old $\xrightarrow{\text{Yes}}$ New, Q:Old $\xrightarrow{\text{No}}$ New, R:Old $\xrightarrow{\text{Yes}}$ New, S:Old $\xrightarrow{\text{No}}$ New, W:Add, Z:Discontinued, F:Interchangeable by set, K:Q'ty Change

Fig.15. FUEL PIPE

(A)=4TNV94L-PITL
(B)=
(C)=

(D)=
(E)=
(F)=

No.	Lev.	Parts No.	Description	Q'ty						I	R
				(A)	(B)	(C)	(D)	(E)	(F)		
1	1	129907-59140	PIPE ASSY, RETURN	1							
2	1	129946-59300	PIPE ASSY, FUEL	1							
4	2	119546-59710	PROTECTOR,PIPE 13.2	1							
5	2	124060-77680	CLAMP, HOSE 10	2							
6	1	123907-59540	BOLT, PIPE JOINT M6	5							
7	1	123907-59550	GASKET, FUEL RETURN	5							
8	1	123907-59560	JOINT, HOSE	1							
9	1	22190-080002	WASHER, SEAL 8	1							

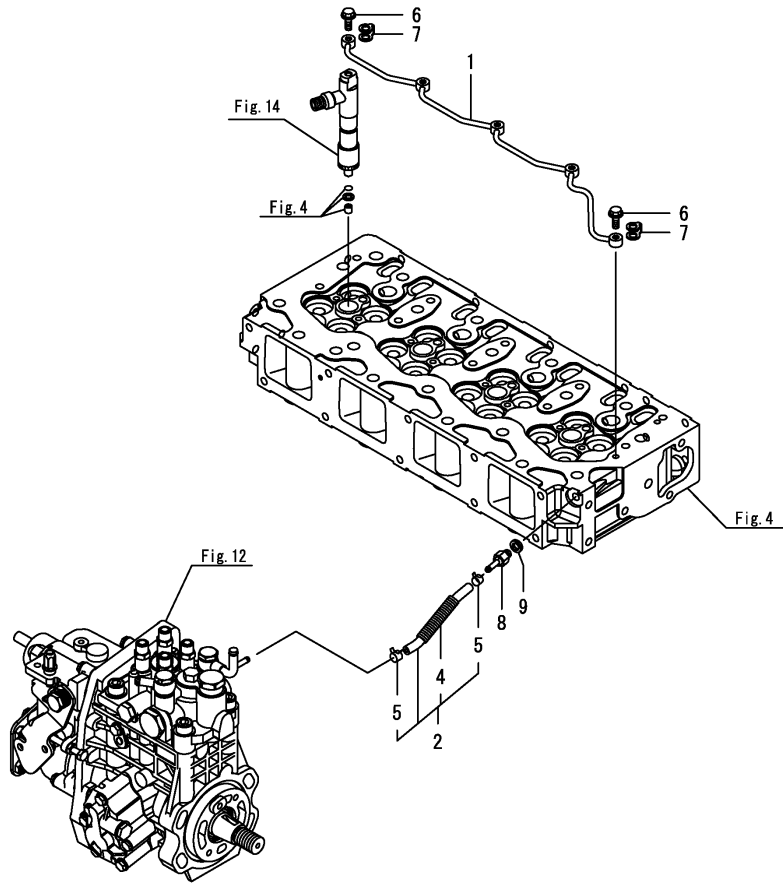


Fig.16. STARTER MOTOR

(A)=4TNV94L-PITL

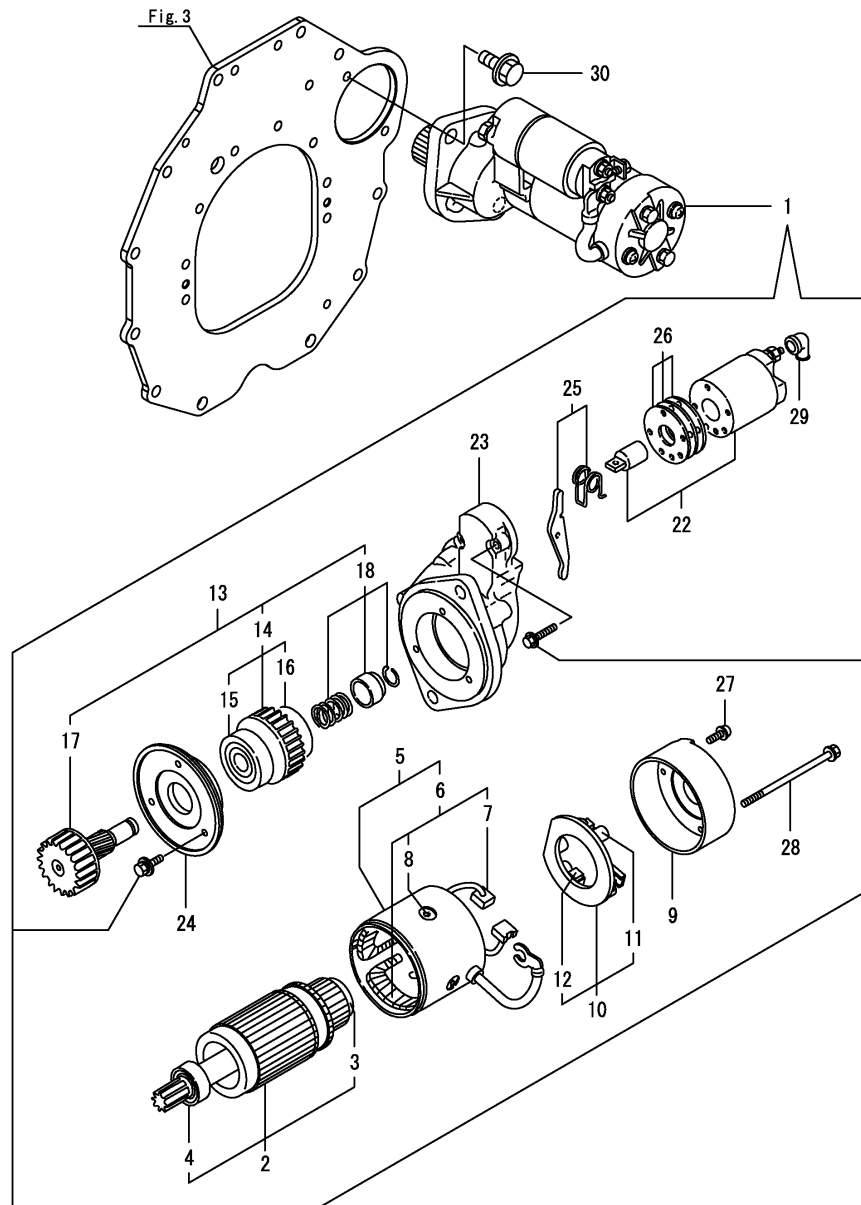
(B)=

(C)=

(D)=

(E)=

(F)=



No.	Lev.	Parts No.	Description	Q'ty						I	R
				(A)	(B)	(C)	(D)	(E)	(F)		
1	1	129900-77040	STARTER, 12V 2.3KW	1							
2	2	129900-77120	ARMATURE ASSY	1							
3	3	171008-77410	BEARING, BALL 1	1							
4	3	171008-77420	BEARING, BALL 2	1							
5	2	129900-77130	YOKE ASSY	1							
6	3	129900-77140	COIL ASSY, FIELD	1							
7	4	129900-77450	BRUSH, +	2							
8	4	171008-77450	SCREW, CORE SET	4							
9	2	129900-77150	COVER, REAR	1							
10	2	129900-77160	HOLDER ASSY, BRUSH	1							
11	3	X2130631300	SPRING, BRUSH	4							
12	3	129900-77450	BRUSH, +	2							
13	2	129900-77170	CLUTCH ASSY, PINION	1							
14	3	129900-77180	CLUTCH ASSY	1							
15	4	129900-77190	BEARING, BALL 4	1							
16	4	X2114955020	BEARING, BALL	1							
17	3	129900-77270	SHAFT, PINION	1							
18	3	171008-77670	STOPPER SET, PINION	1							
22	2	129900-77280	SWITCH ASSY, MAGNET	1							
23	2	129900-77290	CASE, GEAR	1							
24	2	129900-77380	RETAINER, BEARING	1							
25	2	129900-77390	LEVER ASSY, SHIFT	1							
26	2	129900-77420	COVER KIT, DUST	1							
27	2	129900-77430	SCREW, M4X10	2							
28	2	129685-77640	BOLT, THROUGH	2							
29	2	171008-77750	COVER, TERMINAL	1							
30	1	26116-120202	BOLT, M12X 20 PLATED	2							

Fig.17. GENERATOR

(A)=4TNV94L-PITL

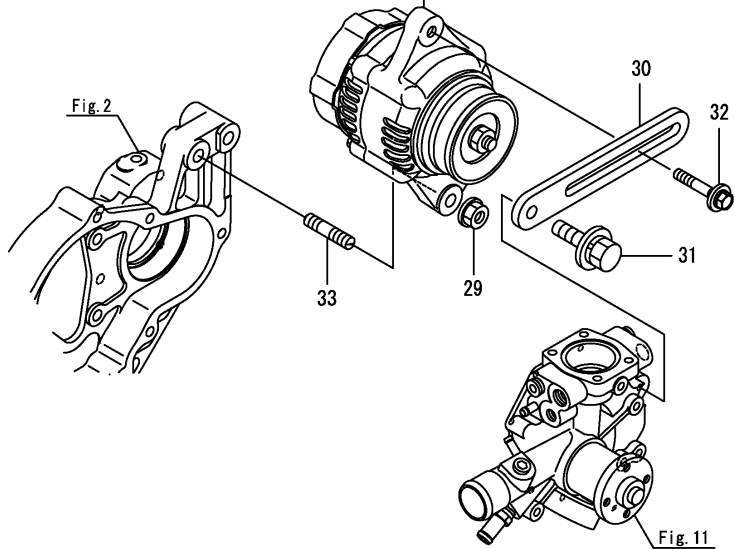
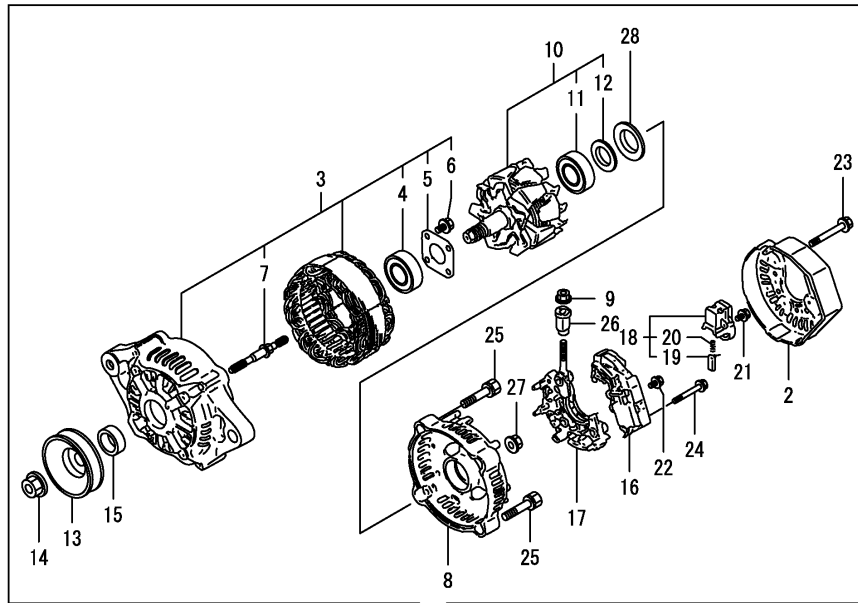
(B)=

(C)=

(D)=

(E)=

(F)=



No.	Lev.	Parts No.	Description	Q'ty						I	R
				(A)	(B)	(C)	(D)	(E)	(F)		
1	1	119751-77210	ALTERNATOR, 12V-40A	1							
2	2	129240-79300	COVER	1							
3	2	129052-77422	FRAME ASSY	1							
4	3	119620-79200	BEARING, BALL	1							
5	3	119620-79210	PLATE, RETAINER	1							
6	3	119620-79220	SCREW	4							
7	3	119620-79230	STUD	2							
8	2	119751-77440	FRAME ASSY, REAR	1							
9	2	X9490561001	NUT	1							
10	2	119620-77380	ROTOR ASSY	1							
11	3	123501-79240	BEARING, BALL	1							
12	3	119620-79250	COVER, BEARING	1							
13	2	119620-77461	PULLEY, GENERATOR	1							
14	2	119620-77471	NUT	1							
15	2	119620-77490	COLLAR	1							
16	2	129423-77720	REGULATOR ASSY	1							
17	2	119620-79260	HOLDER ASSY	1							
18	2	129052-79270	HOLDER ASSY, BRUSH	1							
19	3	119620-77480	BRUSH ASSY, SUB	2							
20	3	119620-79280	SPRING	2							
21	2	119620-79290	SCREW	6							
22	2	119620-79300	SCREW	1							
23	2	119620-79310	BOLT	3							
24	2	119620-79320	SCREW, W/WASHER	2							
25	2	119620-79330	BOLT	2							
26	2	119620-79340	BUSH, INSULATION	1							
27	2	119620-79350	NUT	2							
28	2	119620-79360	WASHER, THRUST	1							
29	1	26306-100002	NUT, M10	1							
30	1	129988-77330	ADJUSTER, BELT	1							
31	1	26014-080252	BOLT, M8X 25	1							
32	1	119810-77340	BOLT, ADJUSTER L=30	1							
33	1	129795-01900	BOLT, M10X30	1							

Parts No. Index

Parts No.	Fig. No.	Ref. No.
105010-39140	10	33
105425-01690	3	5
114250-53080	14	5
114250-53120	14	9
114250-53130	14	10
114250-53140	14	11
114250-53210	14	12
119005-35170	10	35
119005-44761	11	35
119130-44740	11	34
119131-18320	6	8
119305-59120	14	42
119309-01810	1	16
119546-59710	15	4
119593-11301	4	29
119620-11180	4	14
119620-77380	17	10
119620-77461	17	13
119620-77471	17	14
119620-77480	17	19
119620-77490	17	15
119620-79200	17	4
119620-79210	17	5
119620-79220	17	6
119620-79230	17	7
119620-79250	17	12
119620-79260	17	17
119620-79280	17	20
119620-79290	17	21
119620-79300	17	22
119620-79310	17	23
119620-79320	17	24
119620-79330	17	25
119620-79340	17	26
119620-79350	17	27
119620-79360	17	28
119625-11880	4	25
119640-61400	4	60
119660-61901	13	61
119740-61470	13	69
119751-77210	17	1
119751-77440	17	8
119761-39450	10	22
119761-44901	11	28
119802-11870	4	24
119802-51680	12	64
119802-51690	12	65
119803-11340	4	15
119803-53400	14	13
119807-11770	4	59

Parts No.	Fig. No.	Ref. No.
119807-61420	13	24
119810-77340	17	32
119860-34810	10	13
120130-22301	8	26
121023-26071	2	30
121450-42450	11	17
121820-21690	8	17
121850-21130	8	13
121850-21290	8	4
		5
	9	4
		5
121850-21920	8	6
121850-49550	11	24
121850-49811	11	26
121850-77021	5	5
122780-59100	14	41
123501-79240	17	11
123900-25060	7	9
123907-03100	4	53
123907-03110	4	54
123907-03120	4	55
123907-03140	4	56
123907-11280	4	34
123907-11550	4	3
123907-11601	14	40
123907-11820	4	21
123907-11830	4	20
123907-39500	10	25
123907-59540	15	6
123907-59550	15	7
123907-59560	15	8
123910-49600	10	7
123910-49610	10	9
123912-33050	10	2
123912-33100	10	3
123945-61060	13	131
124060-77680	15	5
124160-01751	2	24
124160-11340	4	16
124160-11360	4	63
124465-44950	11	18
		30
128610-14120	9	3
129005-59830	10	27
129006-44480	10	5
129008-51920	12	12
129052-77422	17	3
129052-79270	17	18
129100-01580	1	13

Parts No.	Fig. No.	Ref. No.
129100-01580	1	14
	2	1
129150-02450	7	4
129150-11230	4	37
		41
129150-11750	4	19
		38
		42
129150-14200	7	1
129150-59131	14	45
		49
129155-51280	13	6
129155-61461	13	27
129240-79300	17	2
129255-61410	13	23
129263-13220	6	3
129271-51590	12	62
129271-51600	12	63
129423-77720	17	16
129509-51390	12	25
129550-59120	14	46
129630-77900	13	130
129671-42280	11	32
129685-77640	16	28
129693-44310	3	9
129795-01900	17	33
129795-01960	9	1
129900-01200	1	11
129900-01250	1	4
129900-02020	1	6
129900-02410	1	9
129900-13200	6	1
129900-13251	6	4
129900-14110	7	6
129900-21220	8	3
129900-23001	8	28
129900-23200	8	31
129900-23911	8	34
129900-26020	7	16
129900-26250	2	38
129900-32030	2	17
	10	16
129900-32040	2	18
129900-42061	11	1
129900-42070	11	2
129900-42140	11	19
129900-49560	11	25
129900-77040	16	1
129900-77120	16	2
129900-77130	16	5

Parts No.	Fig. No.	Ref. No.
129900-77140	16	6
129900-77150	16	9
129900-77160	16	10
129900-77170	16	13
129900-77180	16	14
129900-77190	16	15
129900-77270	16	17
129900-77280	16	22
129900-77290	16	23
129900-77380	16	24
129900-77390	16	25
129900-77420	16	26
129900-77430	16	27
129900-77450	16	7
		12
129906-01350	1	12
129906-22050	8	20
129906-51580	12	60
129906-53000	14	2
129907-01950	12	124
129907-01960	12	125
129907-03011	4	50
129907-03061	4	51
129907-03070	4	52
129907-11100	4	11
129907-11110	4	12
129907-11120	4	13
129907-11250	4	31
129907-11260	4	32
129907-11270	4	33
129907-11341	4	30
129907-11510	4	17
129907-11650	4	35
129907-11660	4	39
129907-11700	4	4
129907-11800	4	65
129907-11920	4	43
129907-11950	4	26
129907-11960	4	27
129907-12100	5	1
129907-12110	5	2
129907-14400	7	2
129907-21650	8	10
129907-25900	7	15
129907-39061	10	23
129907-51560	12	57
129907-59140	15	1
129907-59810	14	52
129907-59820	14	53
129907-59830	14	54

Parts No. Index

Parts No.	Fig. No.	Ref. No.
129907-59840	14	55
129908-14590	7	3
129908-33010	10	1
129908-33101	10	4
129908-49060	10	6
129916-01790	3	14
129916-01800	2	35
129916-21610	8	9
129916-49740	11	16
129916-59020	12	119
129927-02340	1	35
129927-02930	1	29
129927-02940	1	38
129927-23600	8	32
129927-23610	8	35
129927-25110	7	10
129927-25920	7	18
129927-44900	11	29
129928-51900	12	11
129930-13201	6	2
129930-39050	10	32
129930-42450	11	33
129933-11310	4	58
129936-01500	2	3
129942-21000	8	1
129946-59300	15	2
129951-01740	2	26
129953-25300	7	14
129956-01710	1	15
129956-01731	3	3
129956-28009	9	2
129956-28019	9	6
129956-28101	9	10
129956-28111	9	11
129956-28180	9	12
129956-28321	8	7
129956-28332	9	13
129956-28341	9	14
129956-32001	2	4
129960-21930	8	11
129960-21940	8	12
129962-01610	3	1
129962-01730	3	4
129962-11300	4	49
129962-21500	8	14
129962-22090	8	18
129962-34810	10	14
129962-35330	10	17
129962-42110	11	3
129962-77500	5	6

Parts No.	Fig. No.	Ref. No.
129963-49300	11	15
129963-61440	13	26
129968-01640	3	12
129968-13580	6	5
129968-13691	6	7
129968-21620	8	16
129972-01731	3	8
129972-59710	14	50
129973-07910	4	1
129988-77330	17	30
129E00-13640	6	6
129E00-42100	11	4
129E26-49500	11	23
144626-51090	12	13
158552-51571	12	58
158552-51580	12	61
158552-51670	12	122
158552-51781	12	92
158552-52100	12	101
158552-52311	12	103
158552-52400	12	104
158552-52500	12	102
158552-61900	13	77
158553-51680	12	70
158553-51930	12	95
158557-51570	12	59
158560-51600	12	67
158560-61050	13	3
158560-61071	13	4
158560-61430	13	25
158563-51150	7	19
158563-51281	12	23
		24
158563-51330	12	34
158600-51270	12	22
158601-51550	12	56
158601-51650	12	69
158601-51770	12	91
158601-51790	12	93
171008-77410	16	3
171008-77420	16	4
171008-77450	16	8
171008-77670	16	18
171008-77750	16	29
171051-01921	1	5
171056-49120	10	12
22190-080002	10	28
		30
		34
	15	9

Parts No.	Fig. No.	Ref. No.
22190-120002	11	31
	12	96
		105
		106
22190-160002	3	7
	13	82
22190-180002	12	97
22217-180000	12	107
22252-000300	8	27
22312-050140	12	108
22351-050010	12	109
22351-060012	1	17
22512-070140	7	7
	8	8
22857-500100	4	61
		62
23000-025000	10	10
23414-080000	11	20
23857-030000	10	29
23857-060000	12	110
23876-005000	9	15
23876-020000	4	8
23876-030000	1	18
		19
	4	9
23887-160002	13	84
24311-000070	12	111
24311-000120	4	28
		64
24311-000200	9	17
24311-000320	2	25
24321-000600	10	11
24321-000850	2	31
24351-030750	2	19
24356-190200	12	66
		112
24356-240210	12	113
26014-080222	6	9
26014-080252	6	10
	17	31
26106-060102	12	114
	13	67
		68
26106-060122	13	85
26106-060162	14	56
26106-060252	13	86
26106-060352	12	115
26106-060402	13	87
26106-080122	10	31
	11	21

Parts No.	Fig. No.	Ref. No.
26106-080142	7	8
	9	16
26106-080162	2	20
	12	126
26106-080182	14	57
26106-080202	2	21
		27
	4	2
26106-080222	11	27
	12	127
		128
26106-080252	3	10
	5	7
26106-080302	3	15
26106-080352	10	21
26106-080402	2	36
	4	45
26106-080452	2	22
		28
	11	36
26106-080552	5	3
	7	13
	11	22
26106-080602	4	46
		47
	9	18
26106-080702	2	37
26106-080752	2	29
26106-080852	3	11
	5	4
26106-081102	5	8
26106-100202	2	32
	12	129
26116-120202	16	30
26206-100202	3	2
26216-100302	2	16
26226-080222	4	44
26306-080002	4	48
	6	11
		12
26306-100002	2	23
	17	29
26450-100452	12	116
26776-180002	12	117
27241-300000	1	10
27241-400000	4	10
27310-070001	4	22
729906-01550	2	33
729906-53100	14	1
729927-02800	1	32

Parts No. Index

Parts No.	Fig. No.	Ref. No.
729927-22950	8	39
729928-22900	8	37
729962-01560	1	1
729962-51340	12	1
X2114955020	16	16
X2130631300	16	11
X9490561001	17	9

Parts No.	Fig. No.	Ref. No.
-----------	----------	----------

Parts No.	Fig. No.	Ref. No.
-----------	----------	----------

Parts No.	Fig. No.	Ref. No.
-----------	----------	----------